

CYT1000A

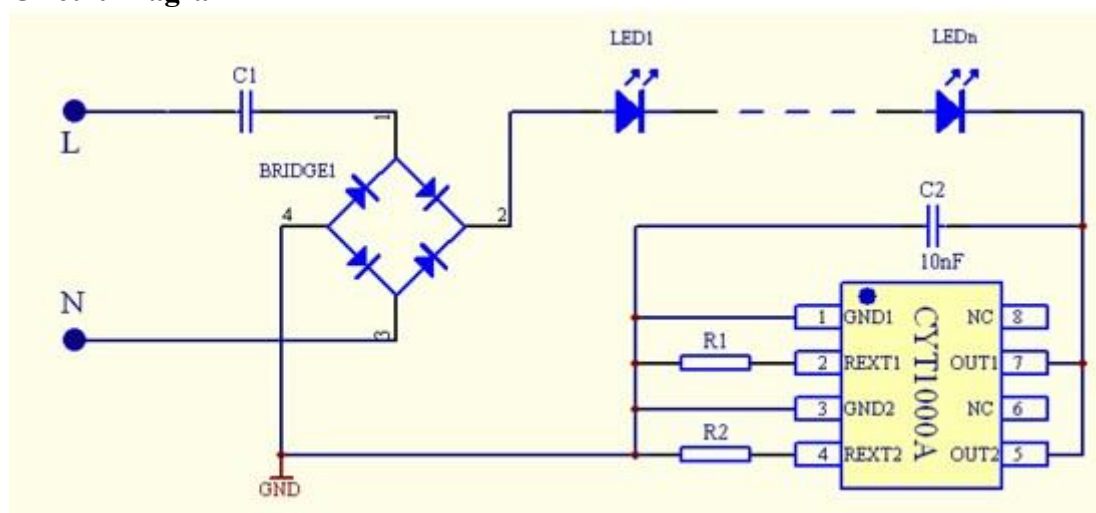
Specifications

Without AC-DC switching power supply components, longer lifespan, lower cost, more reliable, IC and LED share the same board CYT1000A is a linear constant current IC, the output current is adjustable, high precision of constant current, simple application solutions, similar cost with RC voltage-reducing solution, over temperature protection function, safer and more reliable.

Features

- Power Range: 3 - 9 W
- Output Current Range: 10 - 60 mA
- Without transformer and electrolytic capacitors
- Output current can be adjusted, the maximum of 60mA
- Current precision $< \pm 3\%$
- Power conversion efficiency $> 90\%$
- PF > 0.95
- With OTP/OVP protection function
- Applications without EMI problems
- Integrated two chip

Typical Circuit Diagram



Pin Definition

Pin Name	Pin NO.	Definition
GND1	1	GND1
REXT1	2	Output current regulation port chip1
GND2	3	GND2
REXT2	4	Output current regulation port chip2
OUT1	7	Current output port chip1
OUT2	5	Current output port chip2
NC	6,8	NC