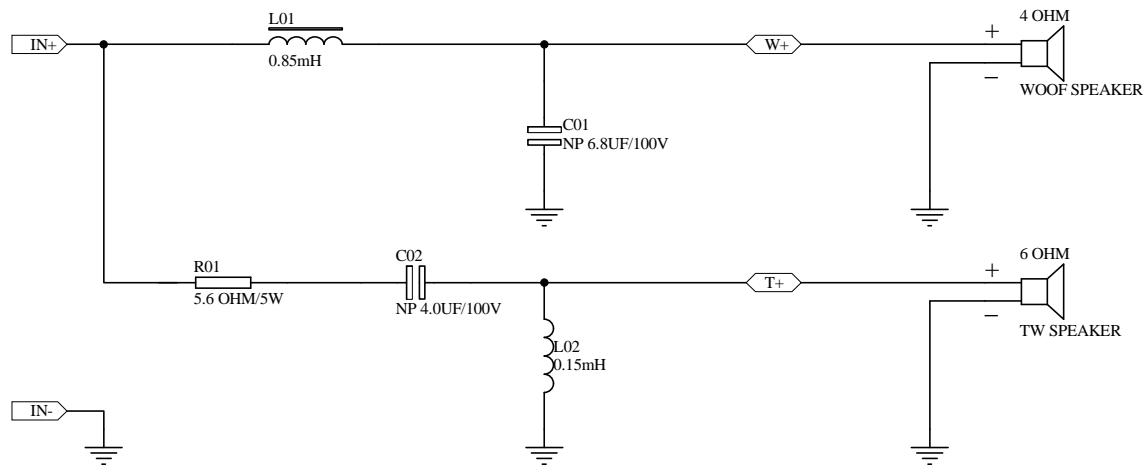


Title		
SOLO 1 MK2 STEREO SPEAKER		
Size	Number	Revision
A4		
Date:	5-Apr-2005	Sheet of
File:	F:\my file\AN\SI-12.DDB	Drawn By: L. M. An



SOLO I分频器PCB料号为SDP1-000HA-A01

Title			SOLO I 分频器		
Size	Number		Revision		
A4					
Date:	5-Apr-2005		Sheet of		
File:	F:\my file\My Design\分频器.ddb		Drawn By:		