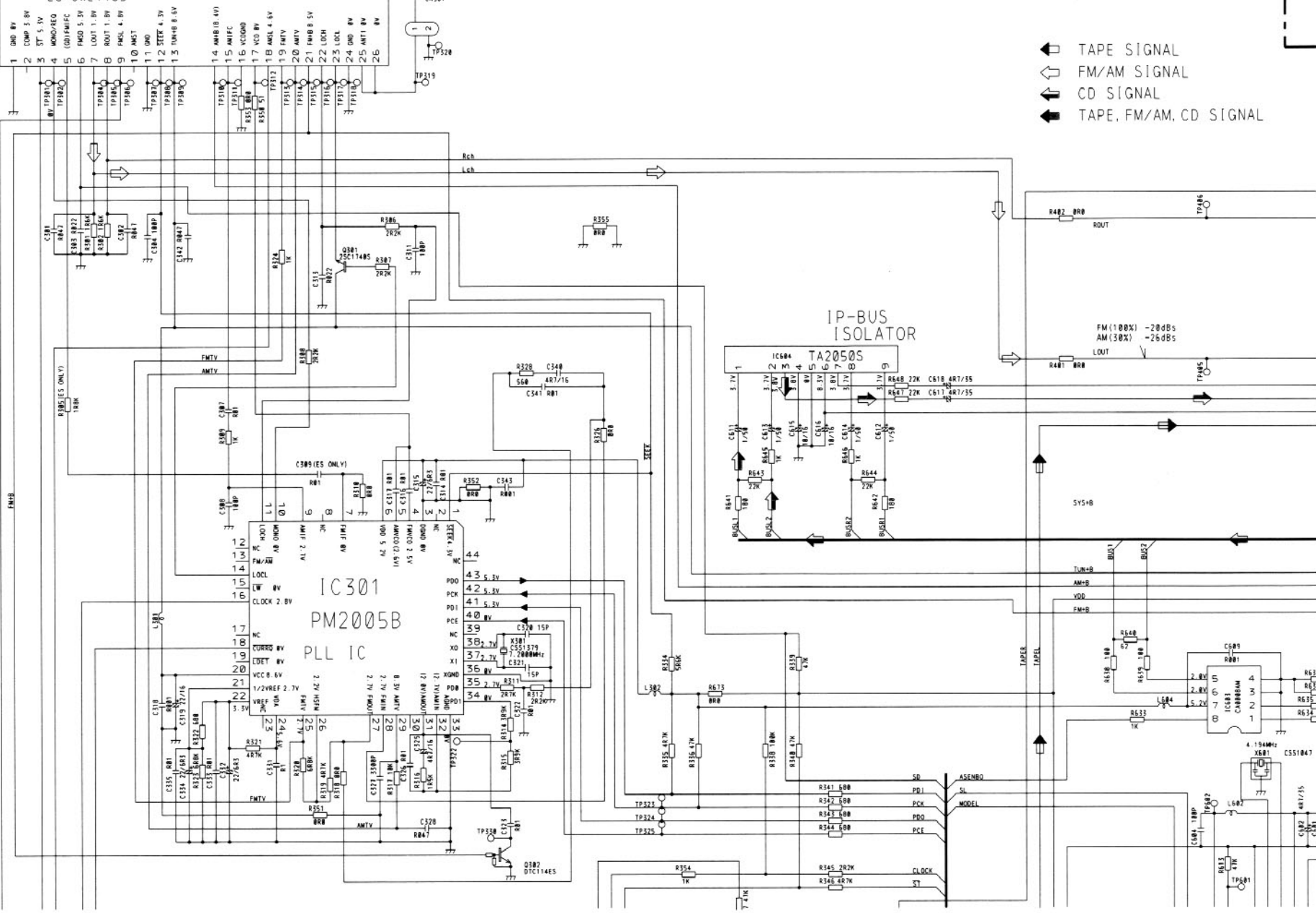
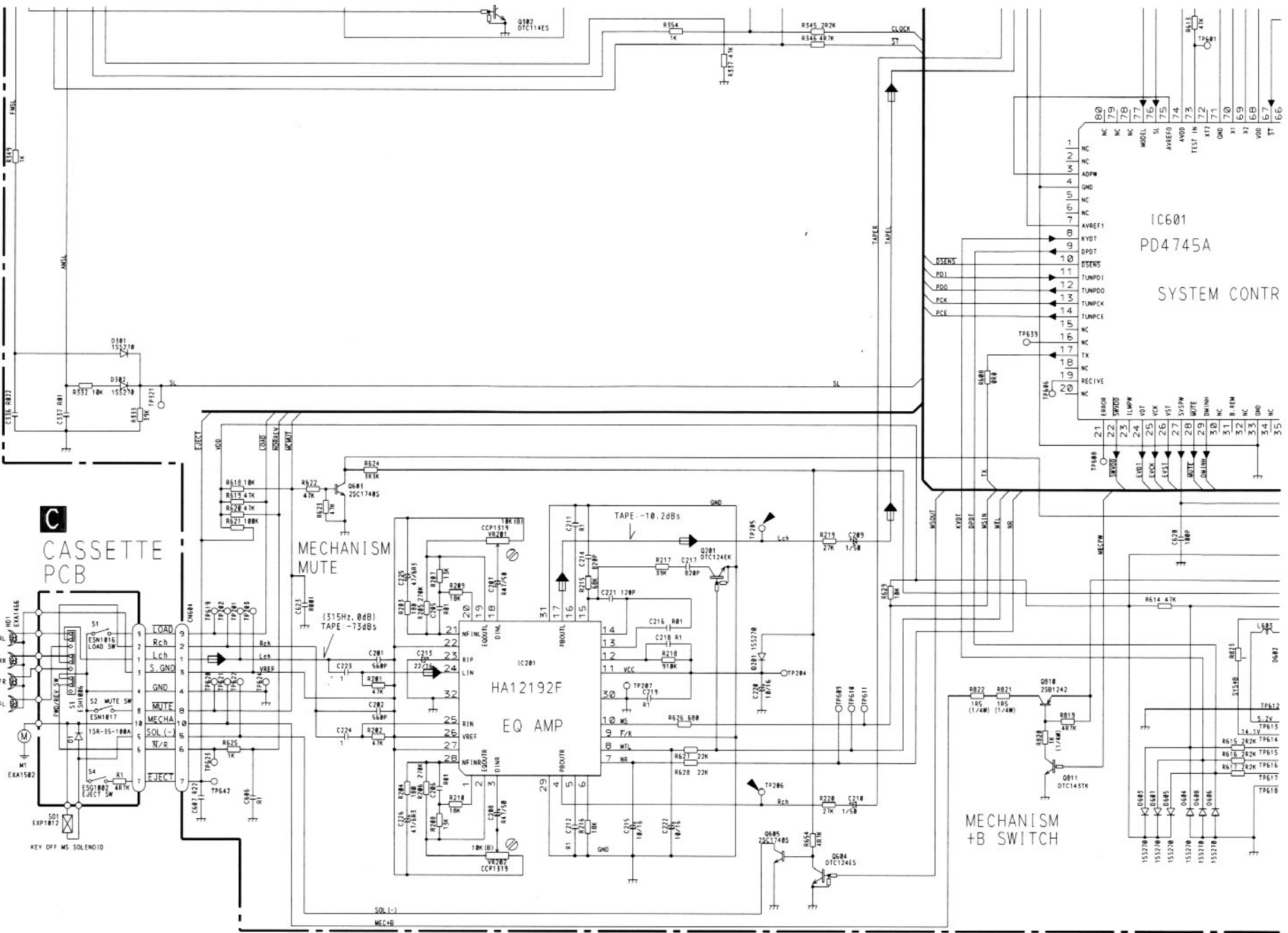


- TAPE SIGNAL
- FM/AM SIGNAL
- CD SIGNAL
- TAPE, FM/AM, CD SIGNAL

**A** TUNER AMP UNIT

**B** UC1417  
CS1485  
FM/AM TUNER UNIT





A-a A-b

Fig. 6

A-2

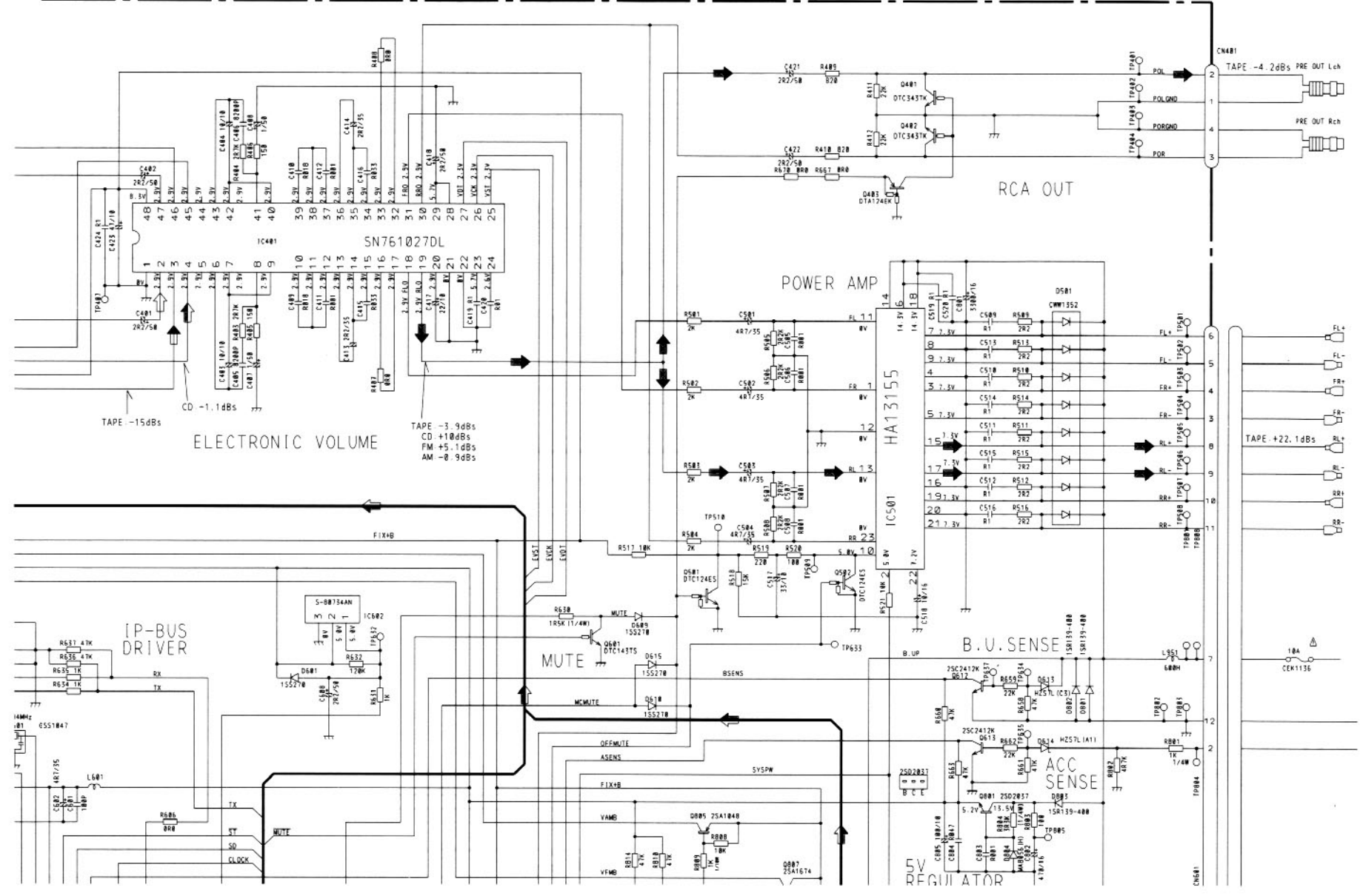
NOTE

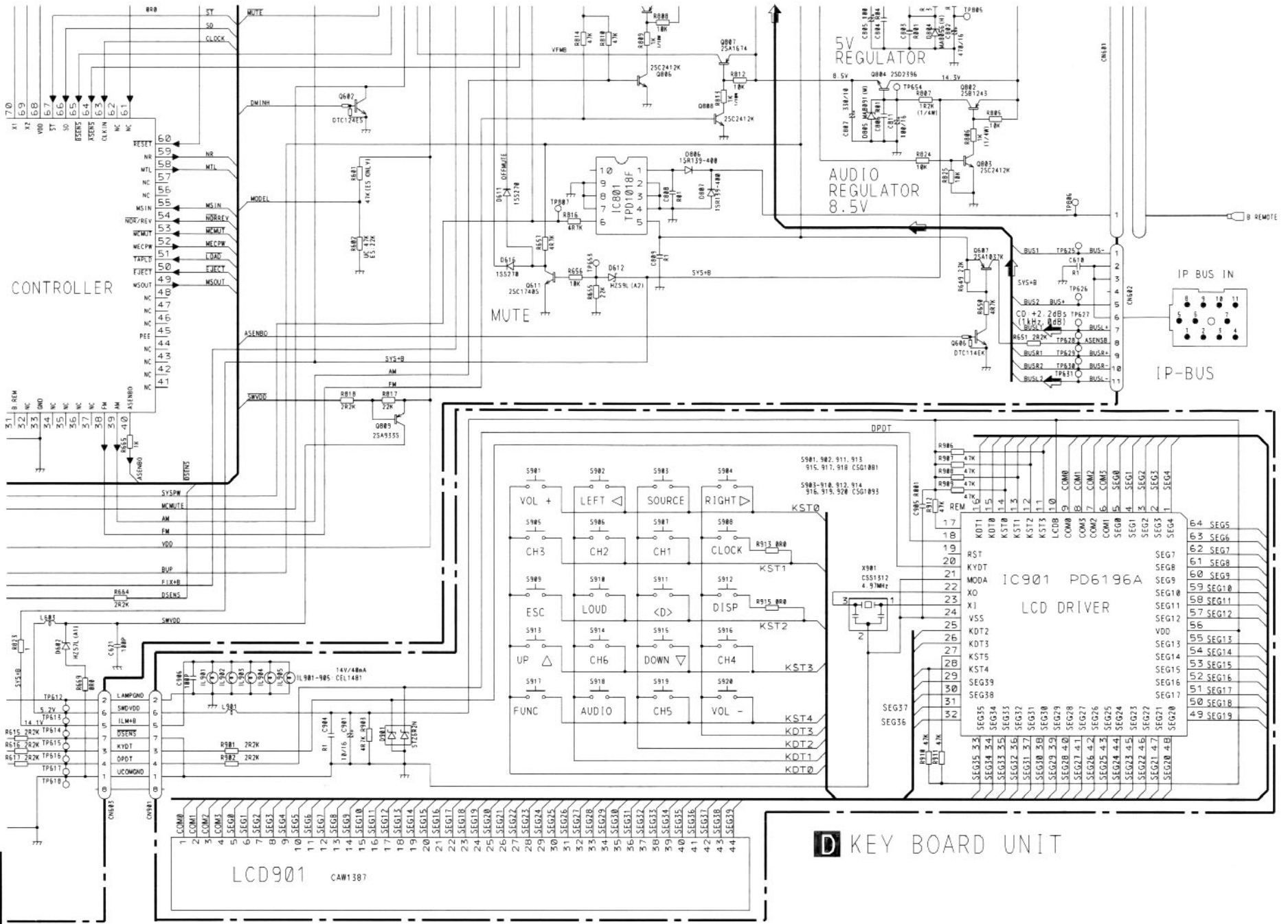
- Symbol indicates a resistor.  
No differentiation is made between chip resistors and discrete resistors.
- ⊢ Symbol indicates a capacitor.  
No differentiation is made between chip capacitors and discrete capacitors.

Decimal points for resistor and capacitor fixed values are expressed as:  
2.2-2R2  
0.022-R022

The Δ mark found on some component parts indicates the importance of the safety factor of the part. Therefore, when replacing, be sure to use parts of identical designation.

MODELS	
UC	KEH-P3600/X1M/UC
ES	KEH-P3650/X1M/ES





D KEY BOARD UNIT

Fig. 7