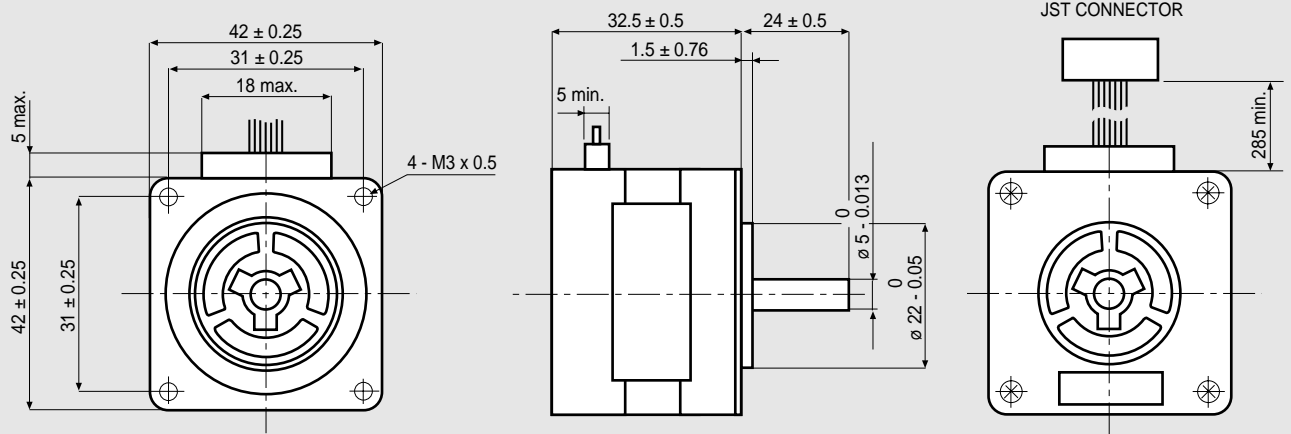


Dimensions (Unit:mm)

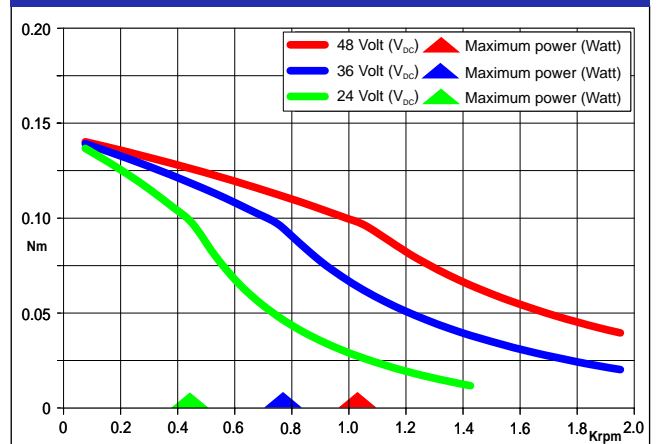


MOTOR CONNECTOR IS JST mod. EHR-4A/
EHR-6 at 4 / 6 POLES FEMALE.
FOR CONNECTION USE JST mod. B4B-EH-A/
B6B-EH-A MALE CONNECTOR.

FEATURES

MODEL	103-546-5342
BASIC STEP ANGLE	1.8° ± 0.09°
BIPOLAR CURRENT (Amp)	0.42 ^(*)
UNIPOLAR CURRENT (Amp)	0.6
RESISTANCE (Ohm)	6.7
INDUCTANCE (mH)	5.4
BIPOLAR HOLDING TORQUE (Ncm)	19
UNIPOLAR HOLDING TORQUE (Ncm)	14.5
ROTOR INERTIA (Kg ^m ² x 10 ⁻⁷)	30
THEORETICAL ACCELERATION (rad x sec. ⁻²)	63000
BACK E.M.F. (V/Krpm)	18
MASS (Kg)	0.2
LEADS CODE	IV

TORQUE/SPEED CURVE



^(*)Bipolar series connection.

^(*)Collegamento bipolare serie.



Suggested driver: contact R.T.A.