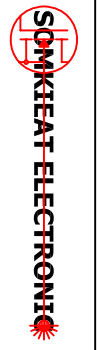
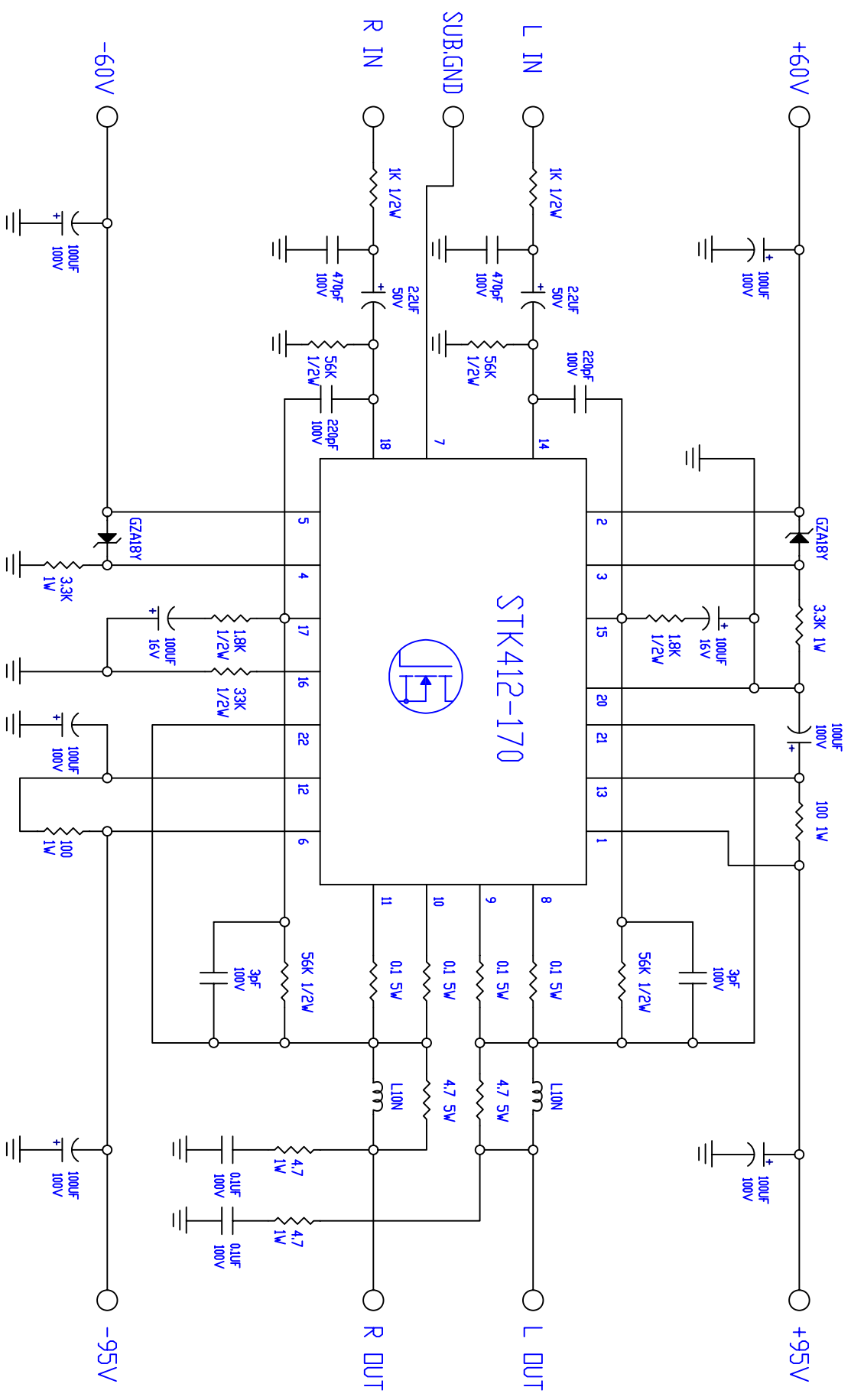


STK412-170 180W CLASS H



NAME	DATE	NO.	REVISION	DATE	CLIENT	PROJECT NO.	SHEET NO. 01
SOMKIEAD D.	1-AUG-07	0	CONSTA	1-AUG-07	SOMKIEAT SKD.RX CIRCUIT	FILE NO.	DRAWING NO.
DRAWN					INSTALLATION		
VISA	SOMKIEAD D.	1-AUG-07	All rights regarding the drawing are reserved to SOMKIEAT ELECTRONIC				

