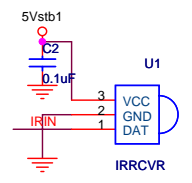
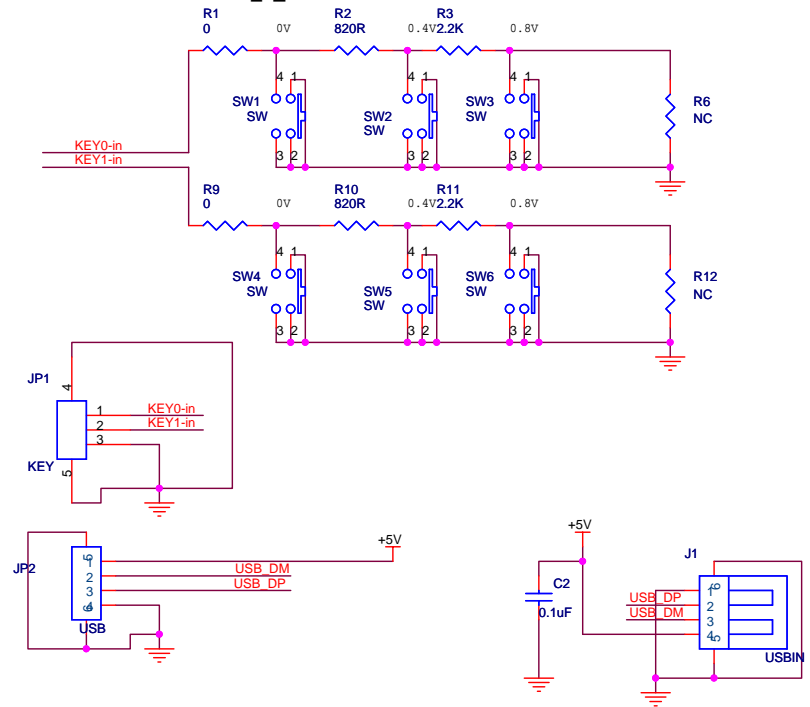


IR

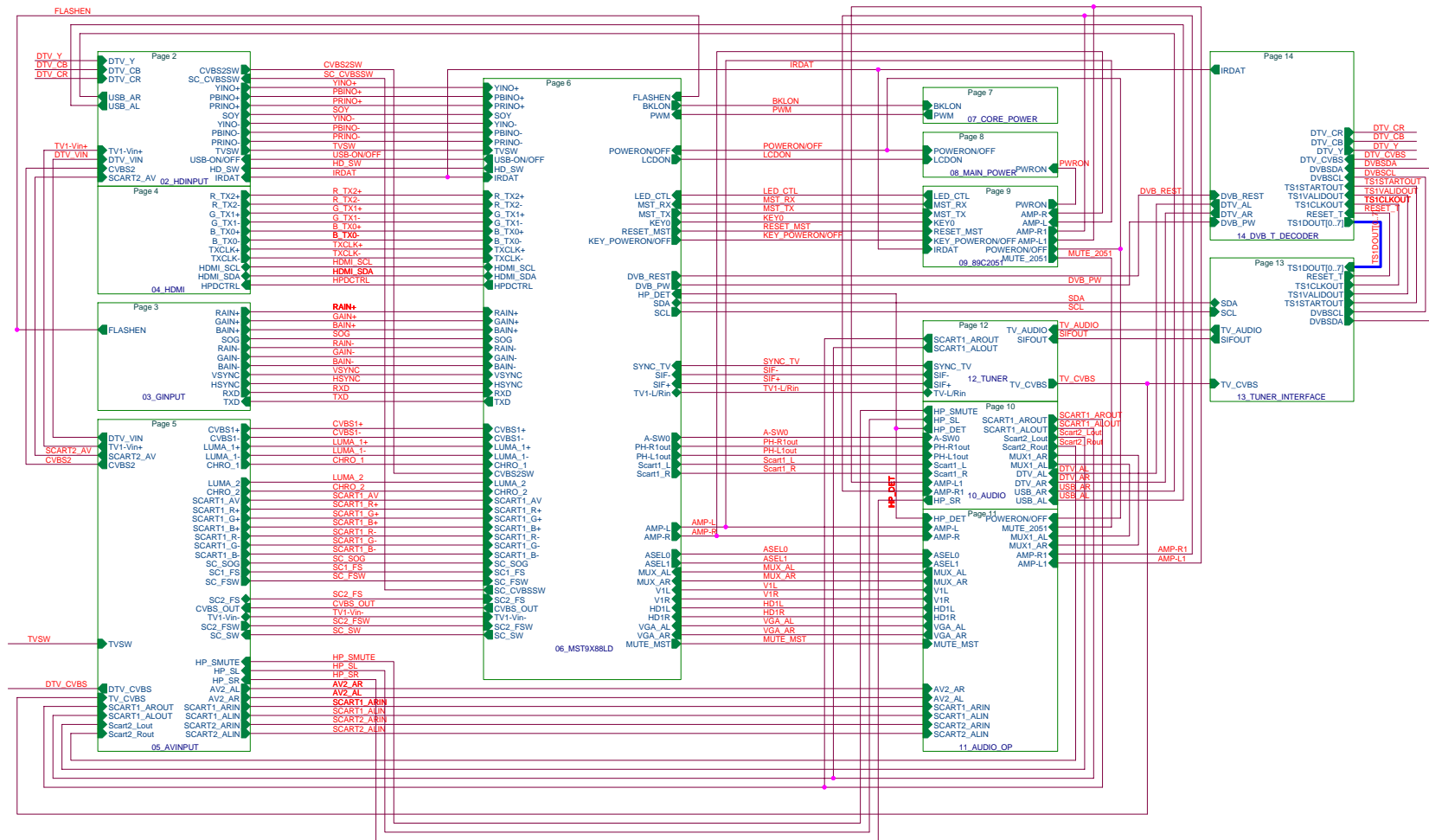


Title			<Title>
Size	Document Number	Rev	
B	<Doc>	<RevCode>	
Date:	Friday, July 21, 2006	Sheet	1 of 1

Keypad

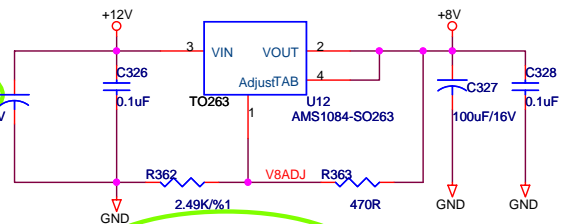


Title			<Title>
Size	Document Number	Rev	
B	<Doc>	<RevCode>	
Date:	Thursday, August 31, 2006	Sheet	1 of 1

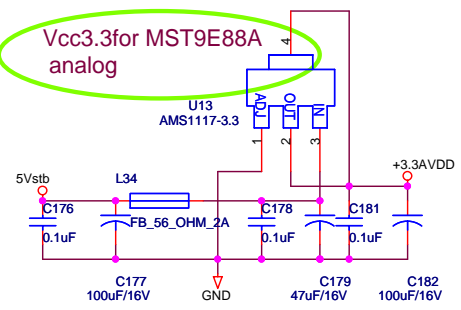


DESIGN:	MODEL: TV3201	TITLE: TOP
CHECKED:	PART NO.:	PWG NO.:
APPRD:	SHRBT: 1 OF 15	VER: 1.0

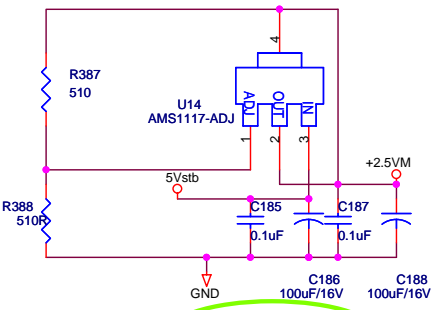
+8V for LM358



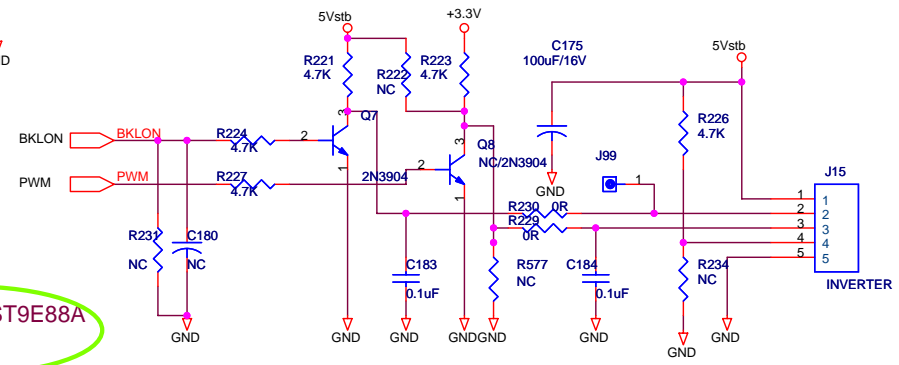
Vcc3.3for MST9E88A analog



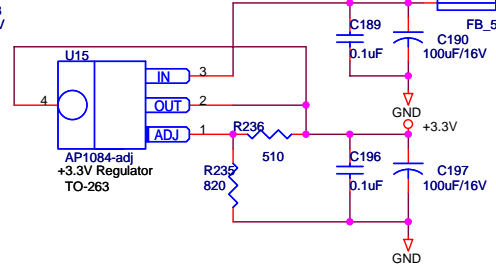
2.5V for MST9E88A and DDRAM



Vcc3.3for MST9E88A Digital

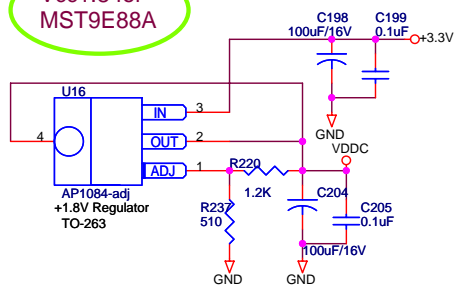


$1.25 * (1 + R_{down}/R_{up}) = 3.3V$ --- $R_{up} = 510$, $R_{down} = 820$

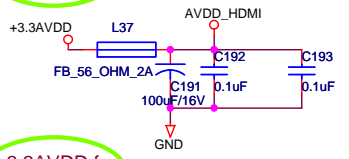


$1.25 * (1 + R_{down}/R_{up}) = 1.8V$ --- $R_{up} = 1.2K$, $R_{down} = 510$

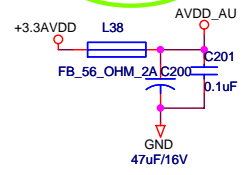
Vcc1.8 for MST9E88A



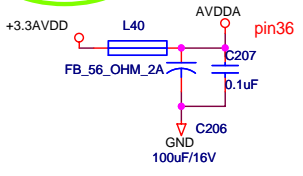
+3.3AVDD for AVDD_HDMI



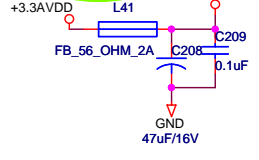
+3.3AVDD for AVDD_AU



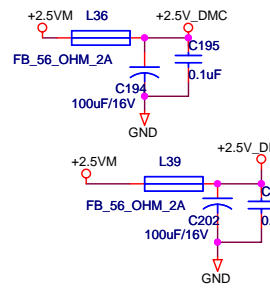
+3.3AVDD for AVDDA



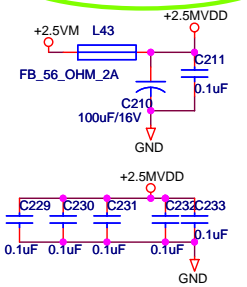
+3.3AVDD for AVDD_SIF



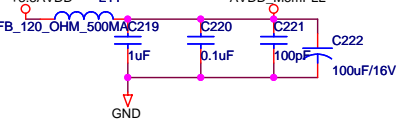
2.5V for DDRAM



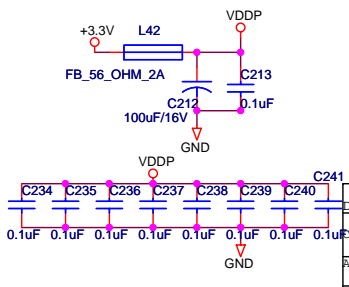
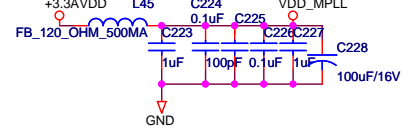
+2.5V for MST9E88A



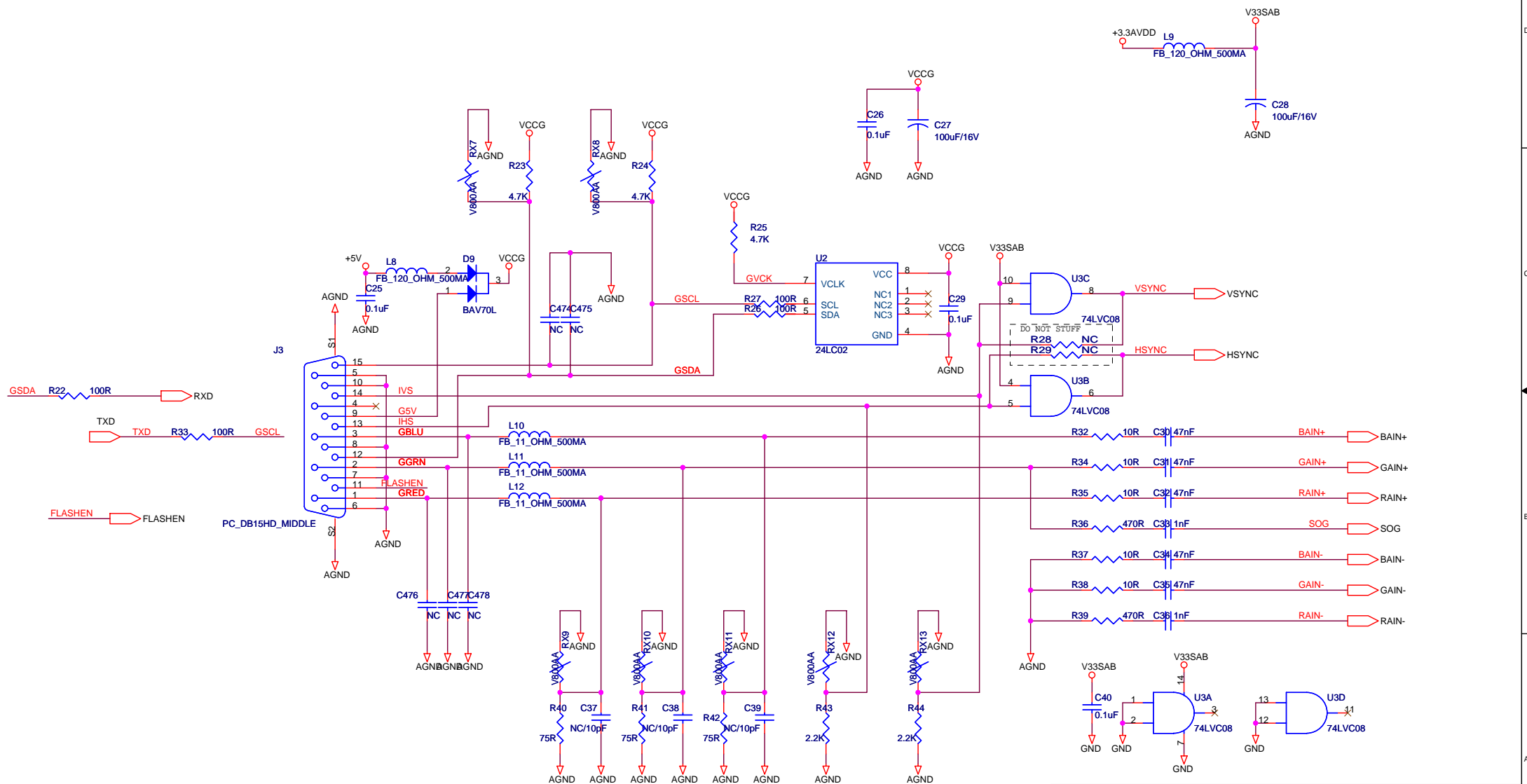
3.3V(6251) for AVDDPLL2



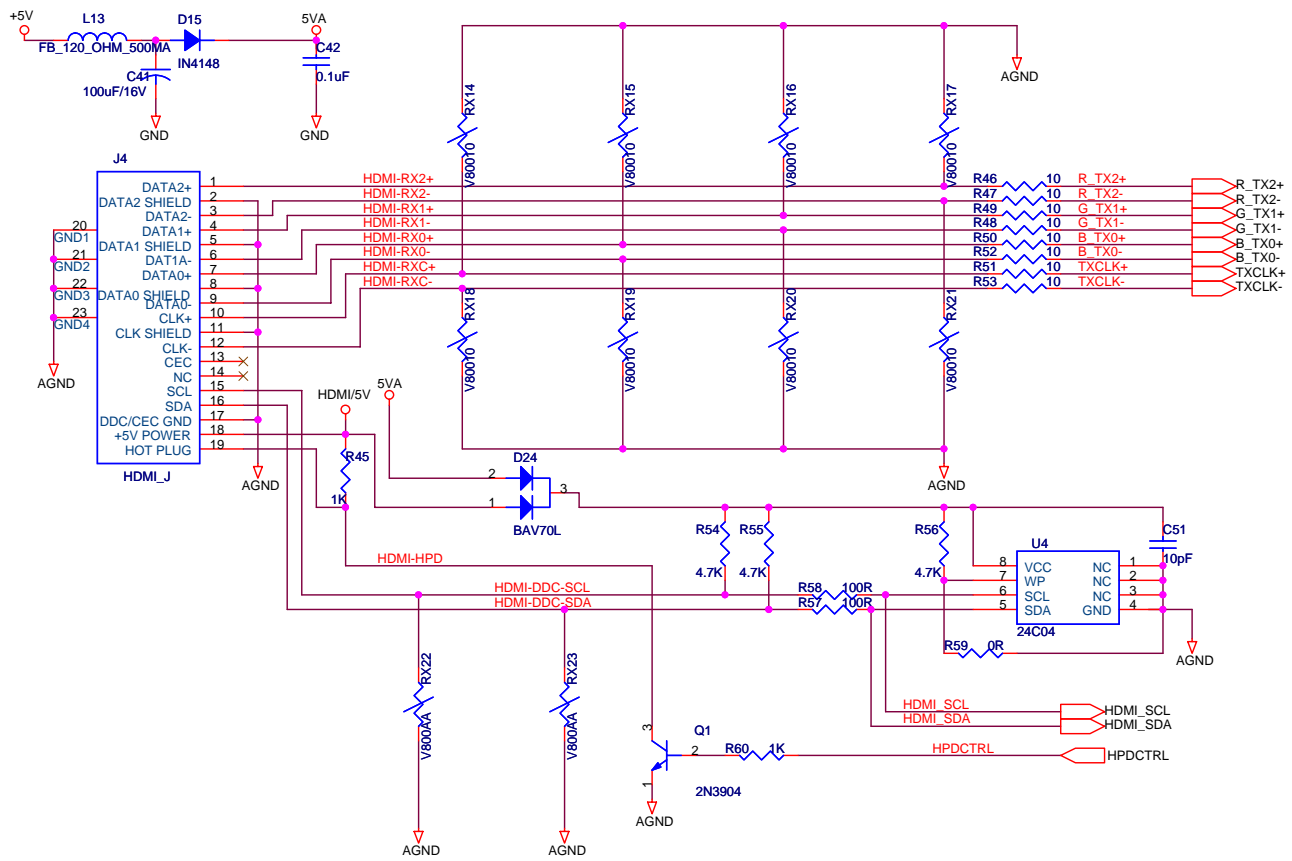
+3.3V for VDD_MPLL



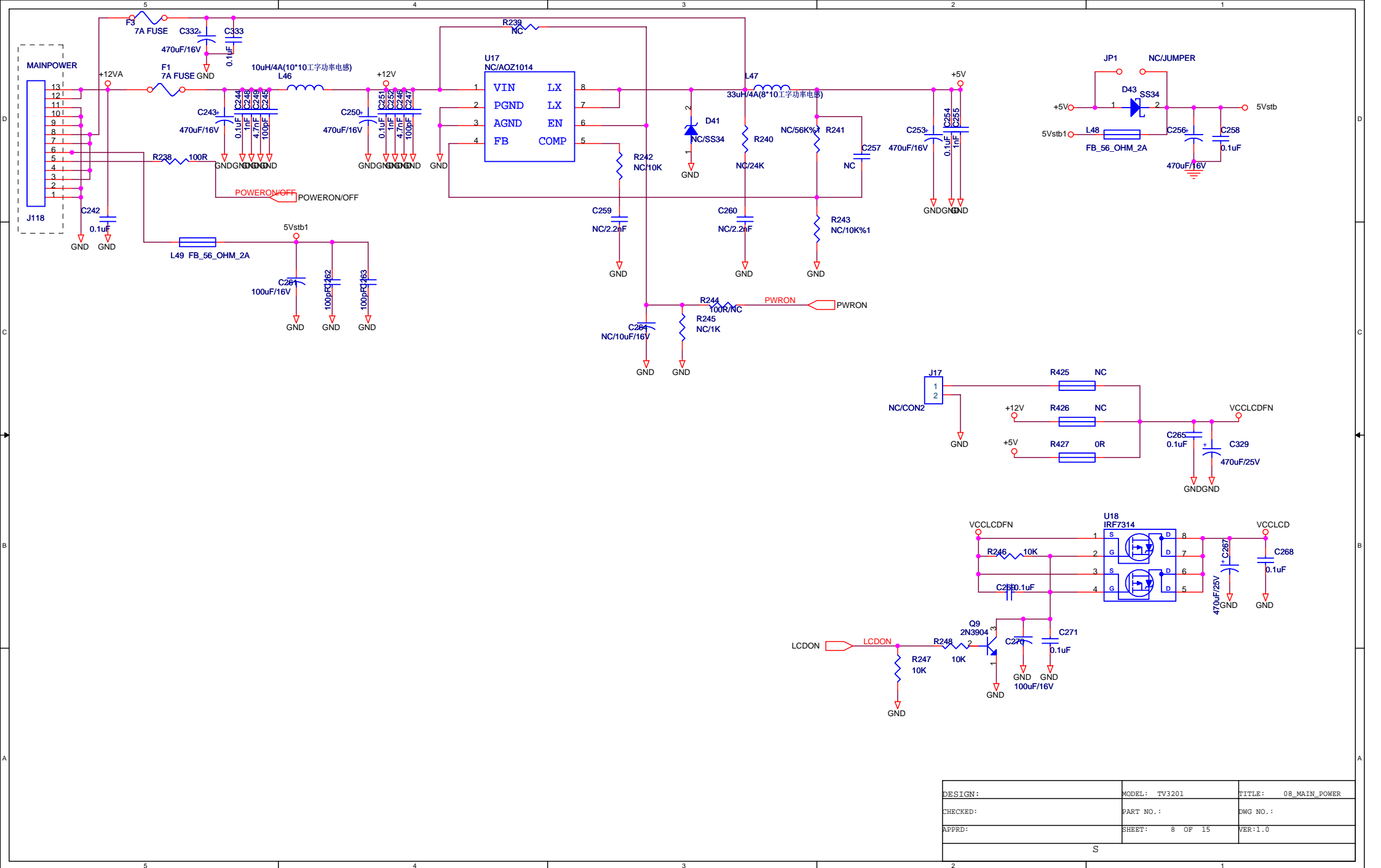
DESIGN:	MODEL: TV3201	TITLE: 07_CORE_POWER
CHECKED:	PART NO.:	DWG NO.:
APPRD:	SHEET: 7 OF 15	VER:1.0
S		



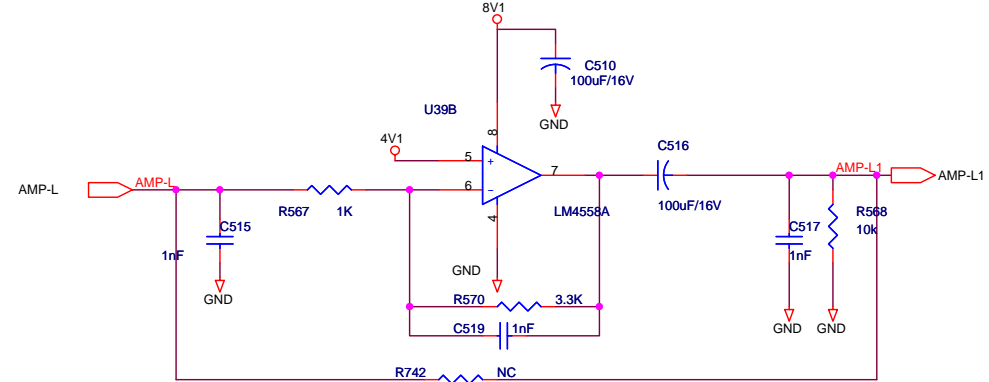
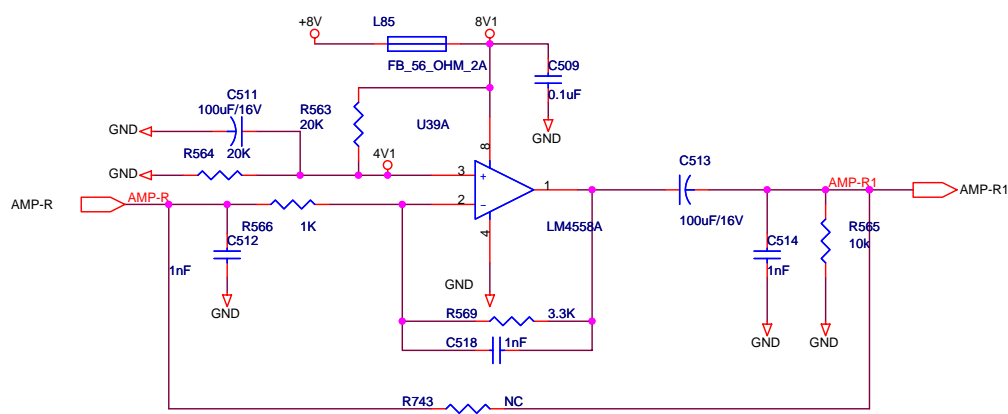
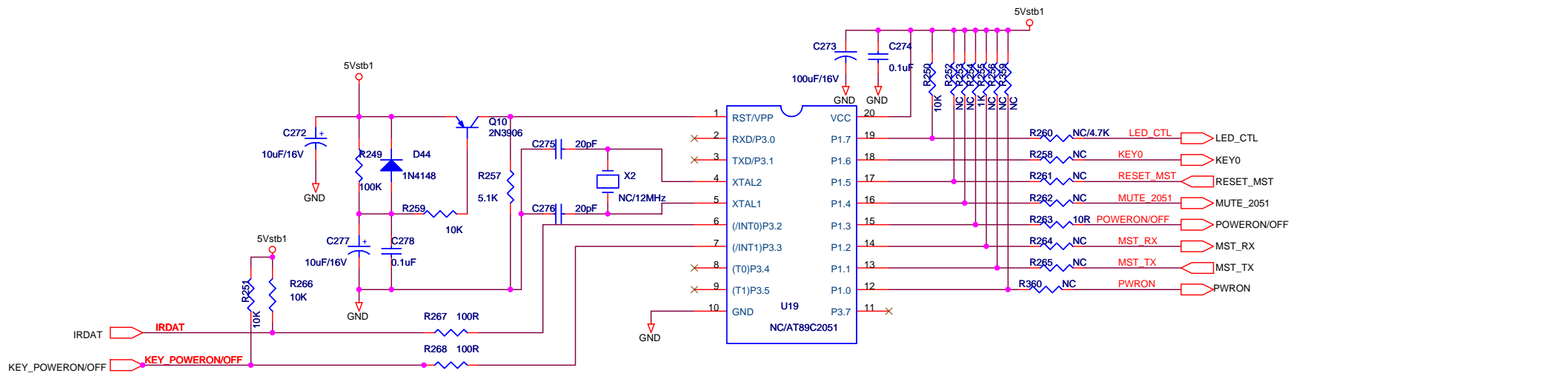
DESIGN:	MODEL: TV3201	TITLE: 03_GINPUT
CHECKED:	PART NO.:	DWG NO.:
APPRD:	SHEET: 3 OF 15	VER:1.0
S		



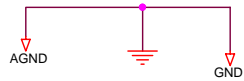
DESIGN:	MODEL: TV3201	TITLE: 04_HDMI
CHECKED:	PART NO.:	DWG NO.:
APPRD:	SHEET: 4 OF 15	VER:1.0
S		



DESIGN:	MODEL: TV3201	TITLE: 08_MAIN_POWER
CHECKED:	PART NO.:	DWG NO.:
APPRD:	SHEET: 8 OF 15	VER:1.0
S		

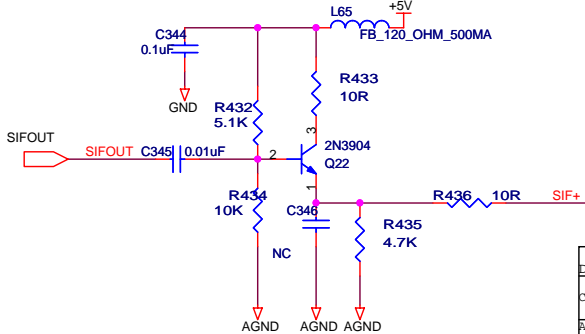
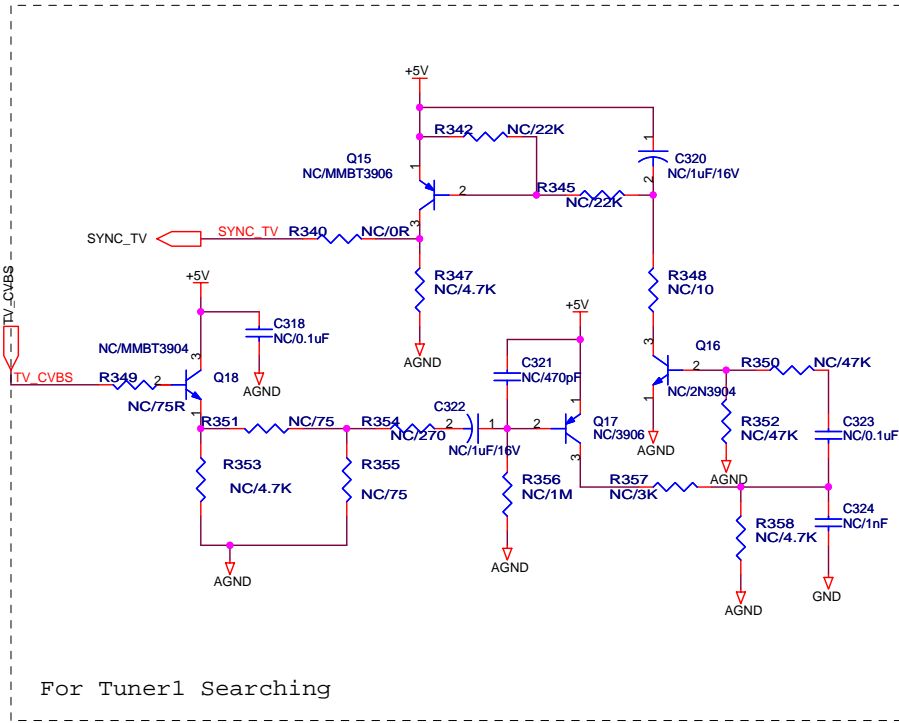
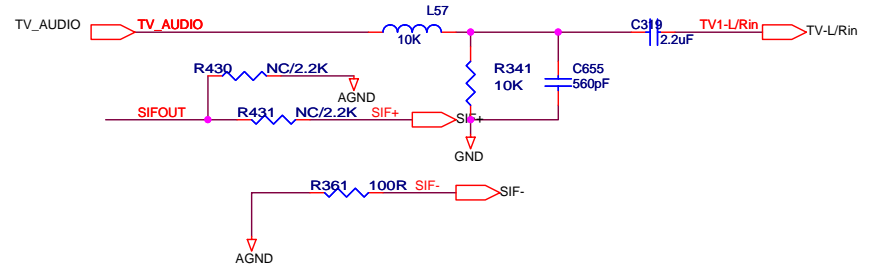
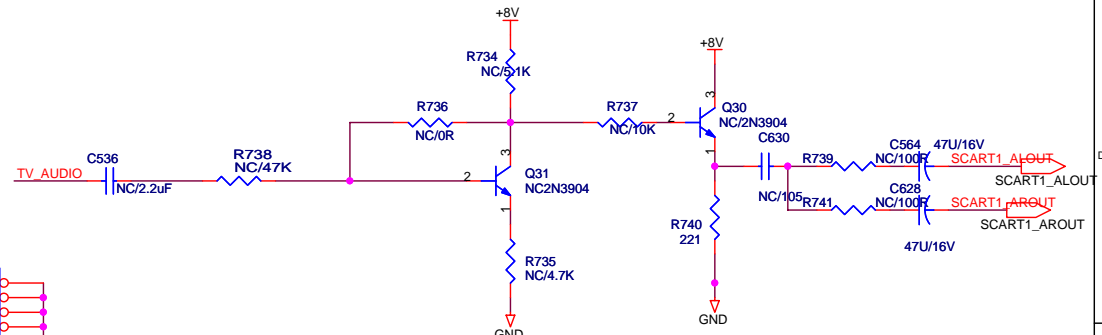
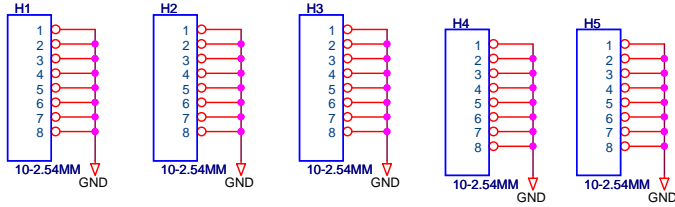


DESIGN:	MODEL: TV3201	TITLE: 09_89C2051
CHECKED:	PART NO.:	DWG NO.:
APPRD:	SHEET: 9 OF 15	VER:1.0
S		



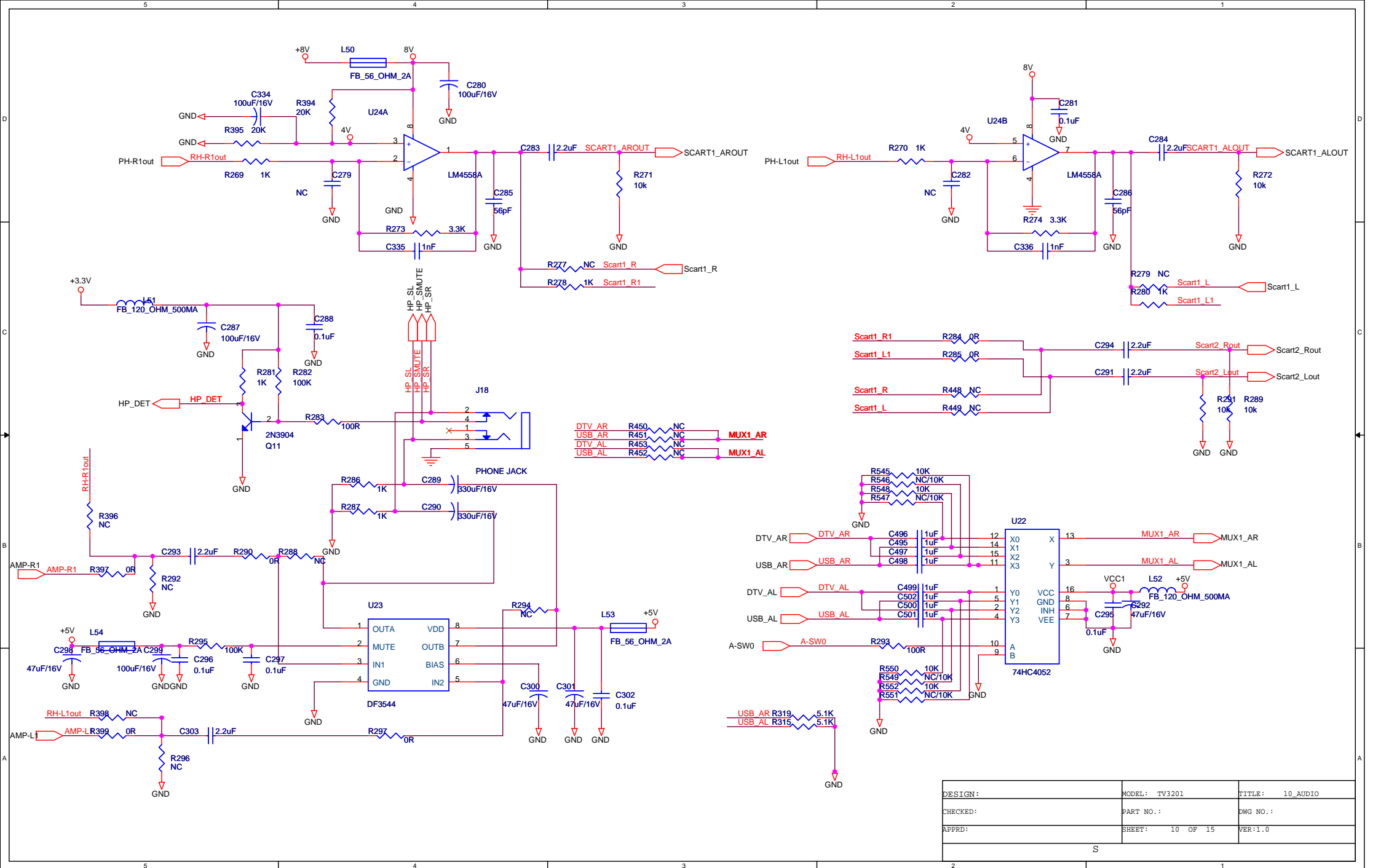
MARK1

MARK2

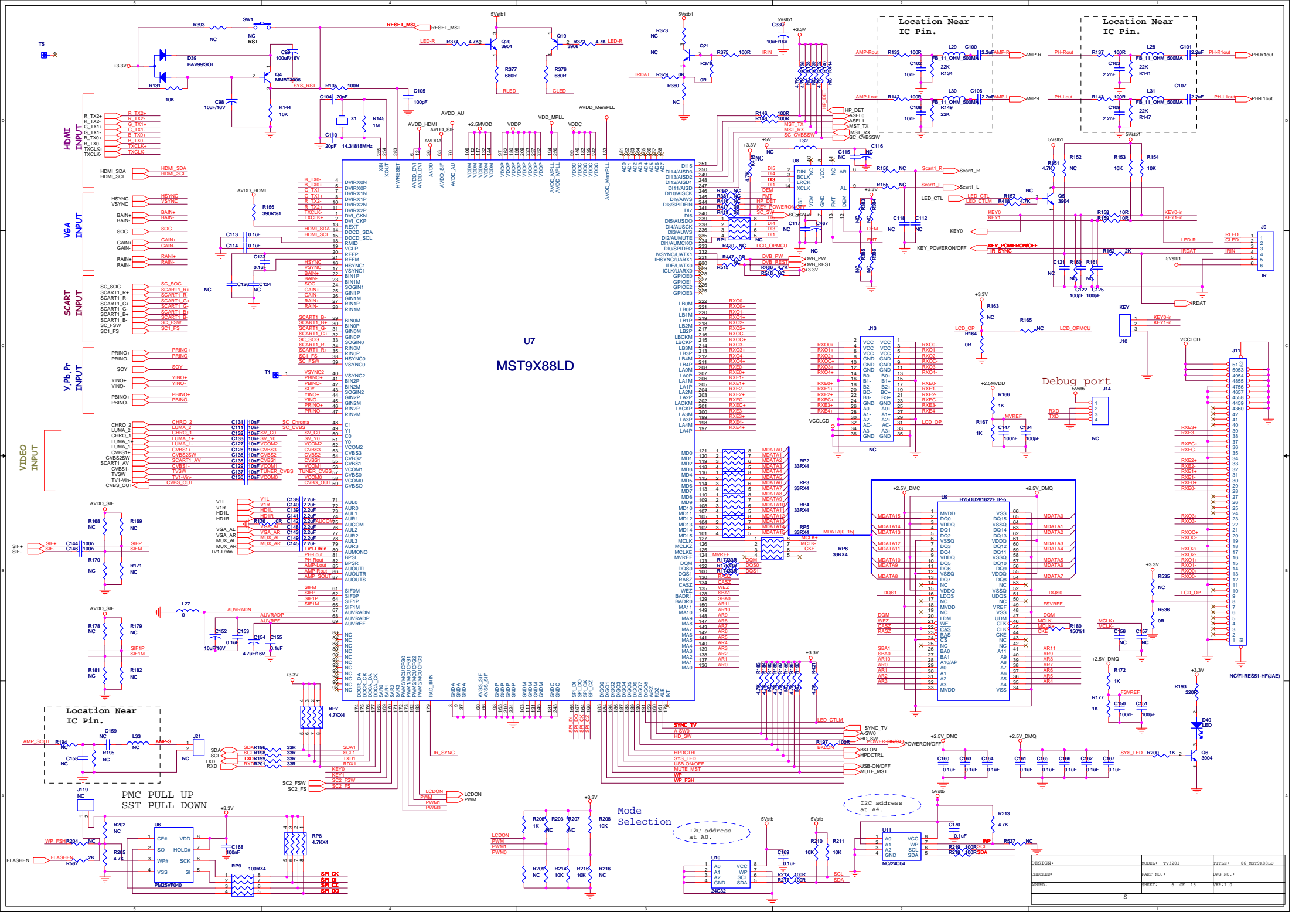


For Tuner1 Searching

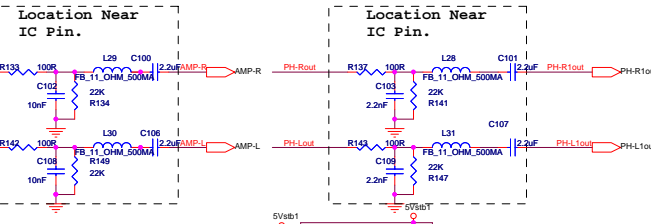
DESIGN:	MODEL: TV3201	TITLE: 12_TUNER
CHECKED:	PART NO.:	DWG NO.:
APPRD:	SHEET: 12 OF 15	VER:1.0
S		



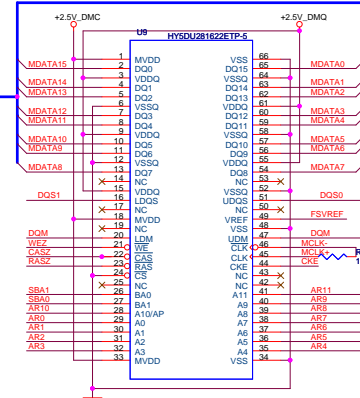
DESIGN:	MODEL: TV3201	TITLE: 10_AUDIO
CHECKED:	PART NO.:	DWG NO.:
APPRD:	SHEET: 10 OF 15	VER:1.0
S		



U7
MST9X88LD



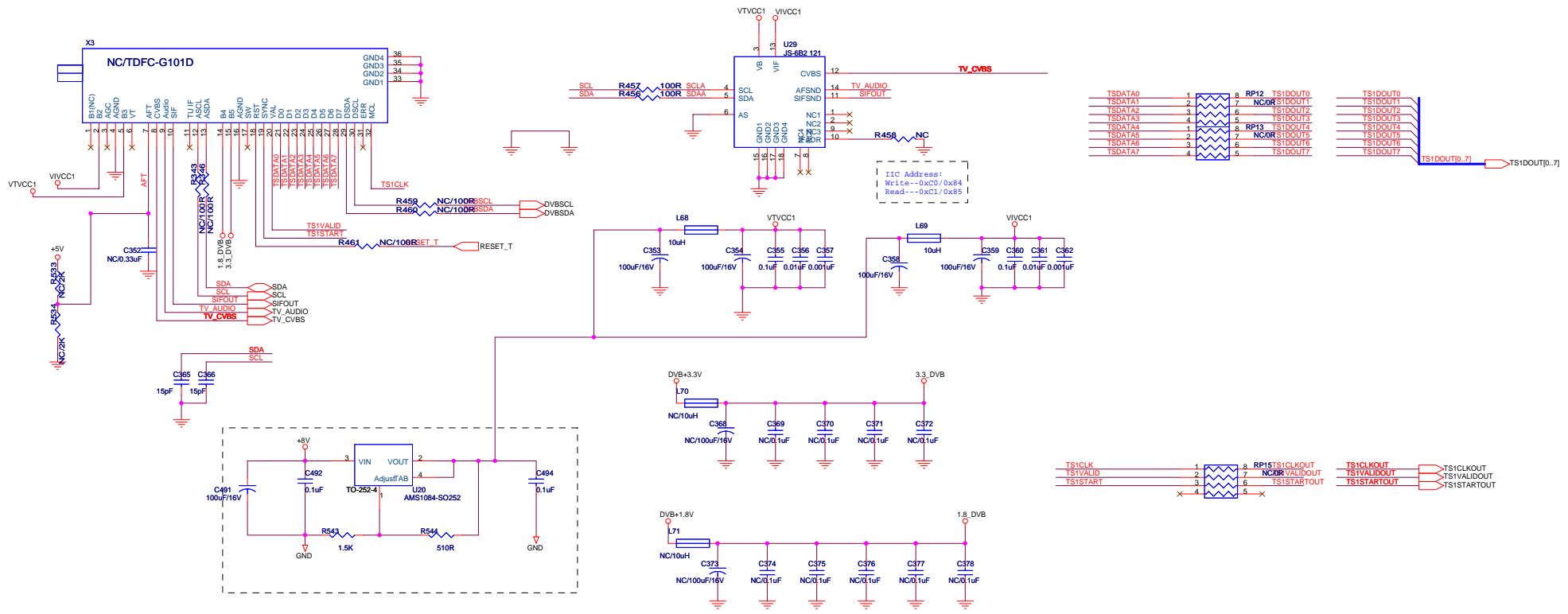
Debug port



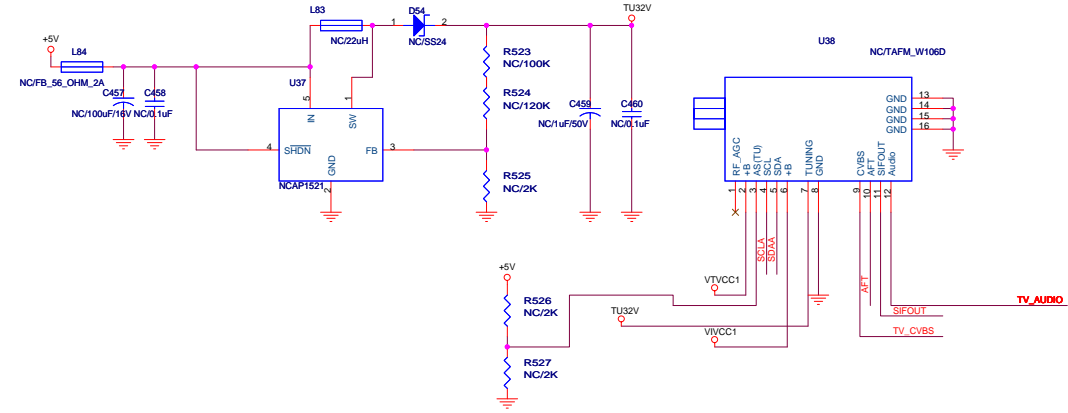
Mode Selection

I2C address at A4.

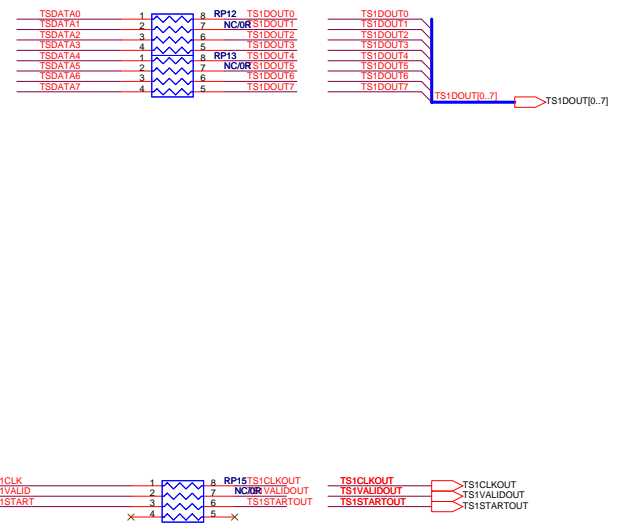
DESIGNER:	MODEL: TV3201	TITLE: 06_MST9X88LD
CHECKED:	PART NO.:	DWG NO.:
APPROV:	SHEET: 6 OF 15	REV: 1.0



FRONT-END

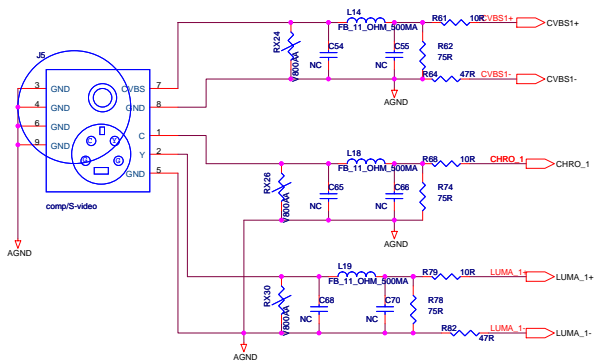


DOWNLOADER BOARD

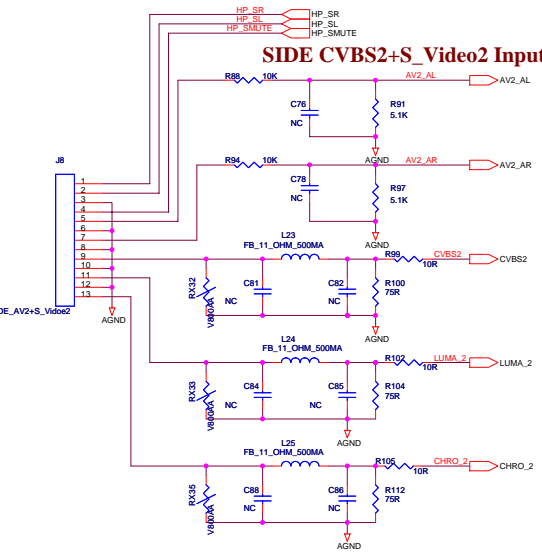


DESIGN:	MODEL: TV3201	TITLE: 13_TUNER_INTERFACE
CHECKED:	PART NO.:	DWG NO.:
APPRD:	SHEET: 13 OF 15	VER:1.0

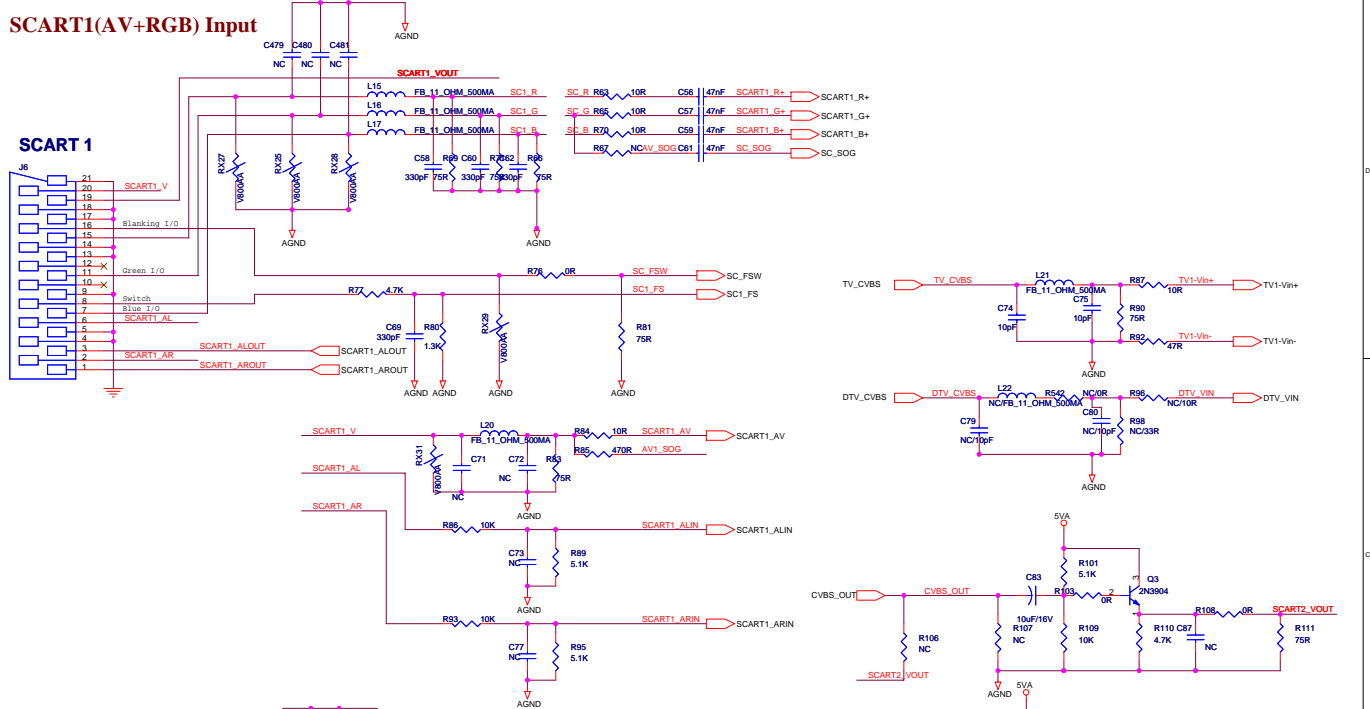
CVBS1+S_Video1 Input



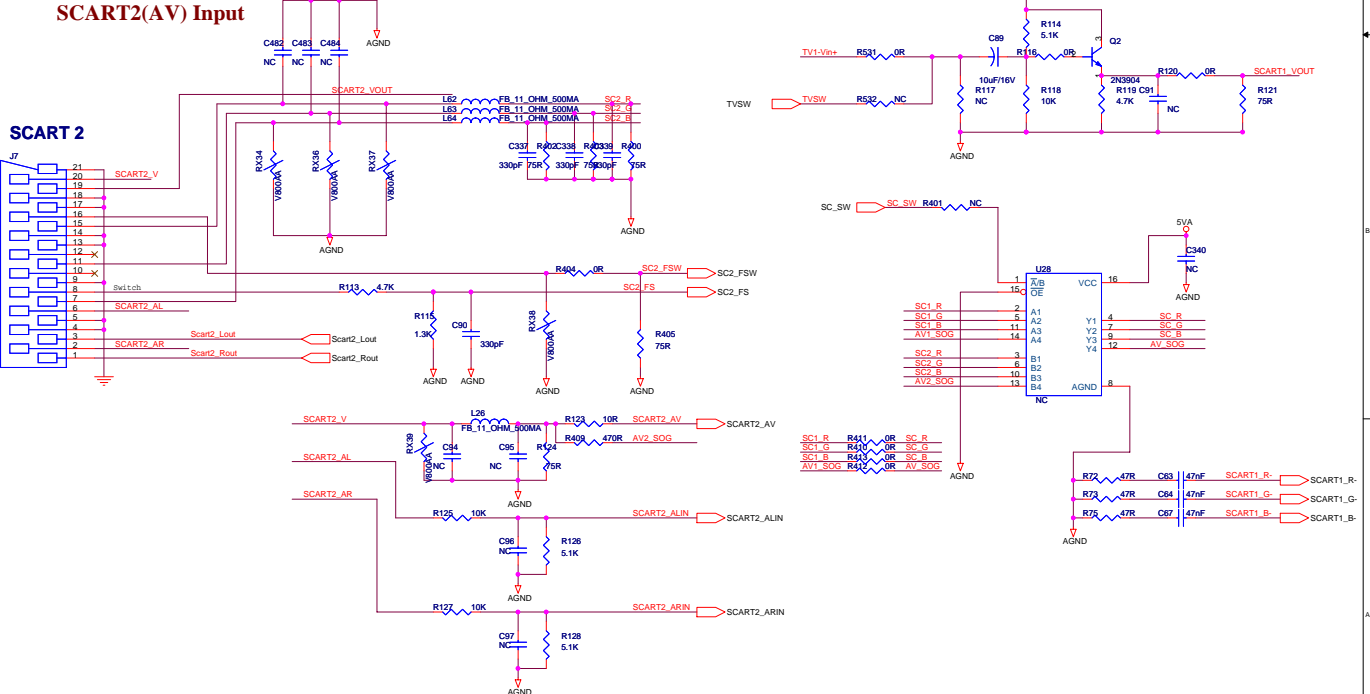
SIDE CVBS2+S_Video2 Input



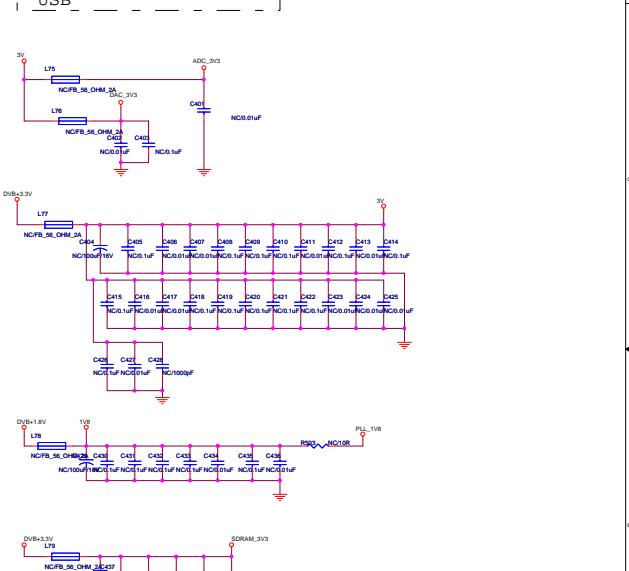
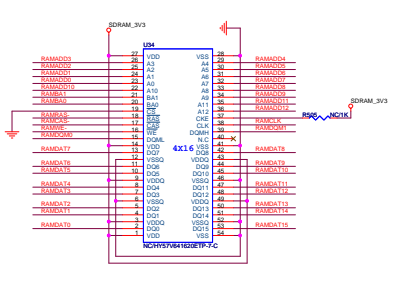
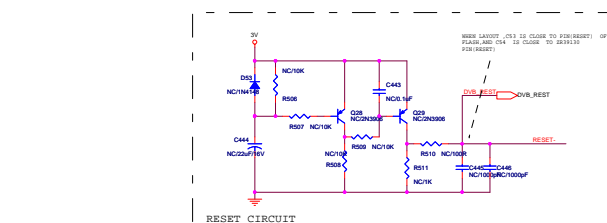
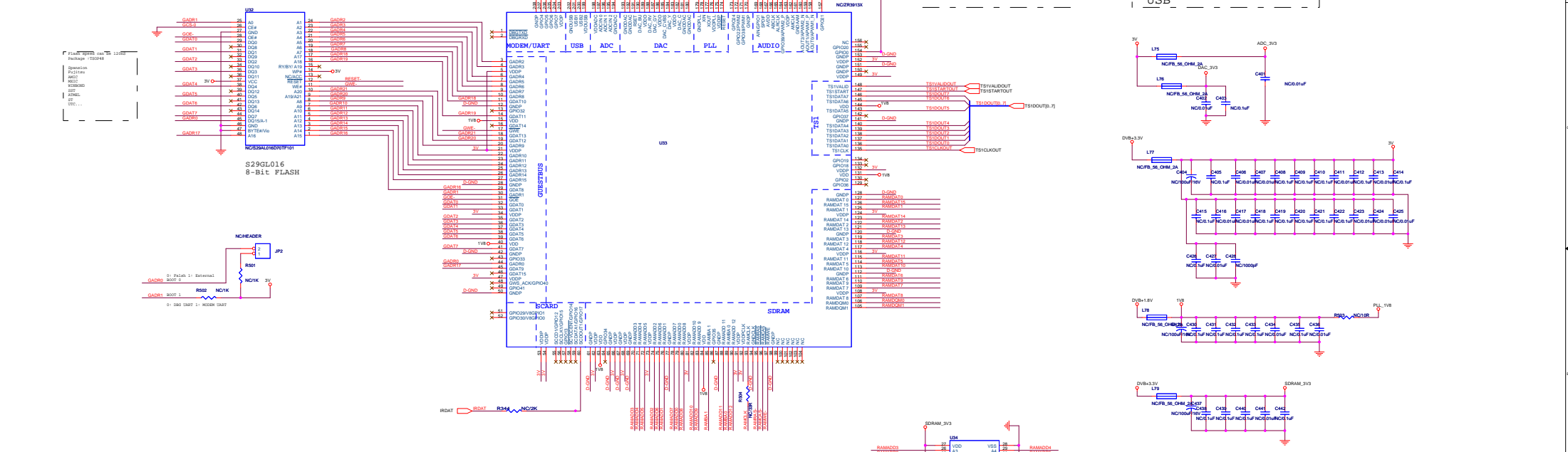
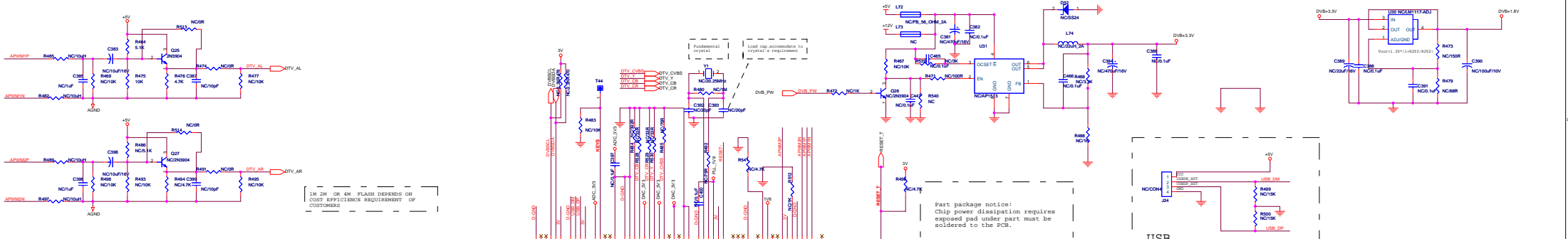
SCART1(AV+RGB) Input



SCART2(AV) Input

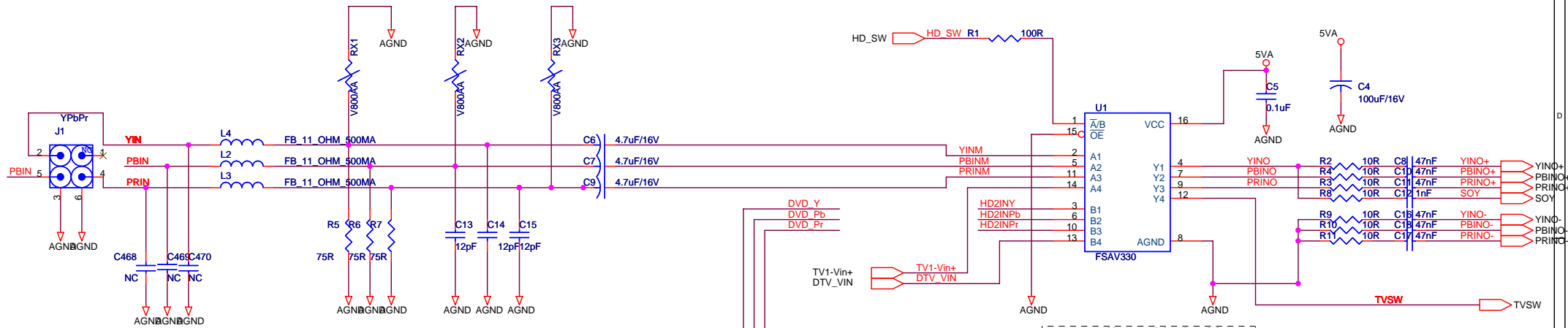


DESIGN:	MODEL:	TITLE:
TV3201	TV3201	05_AVINPUT
CHECKED:	PART NO.:	REV. NO.:
APPROV:	SHEET: 5 OF 15	REV: 1.0



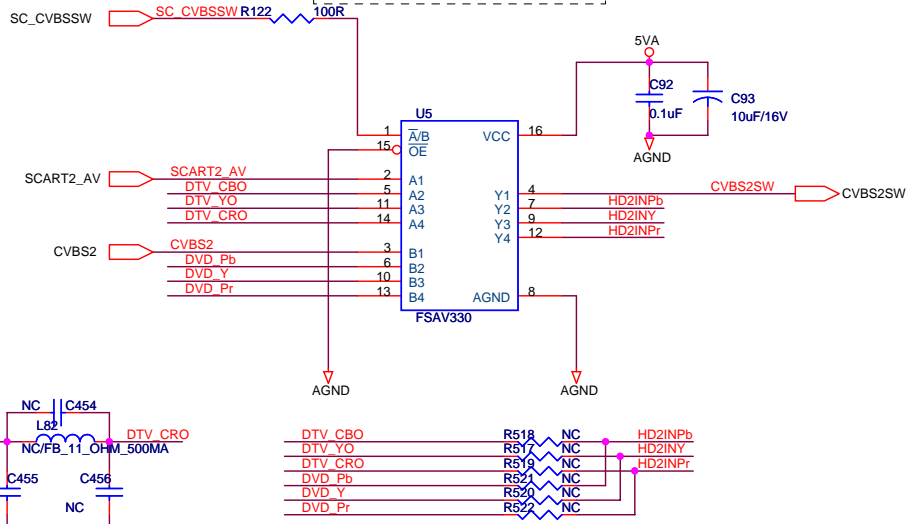
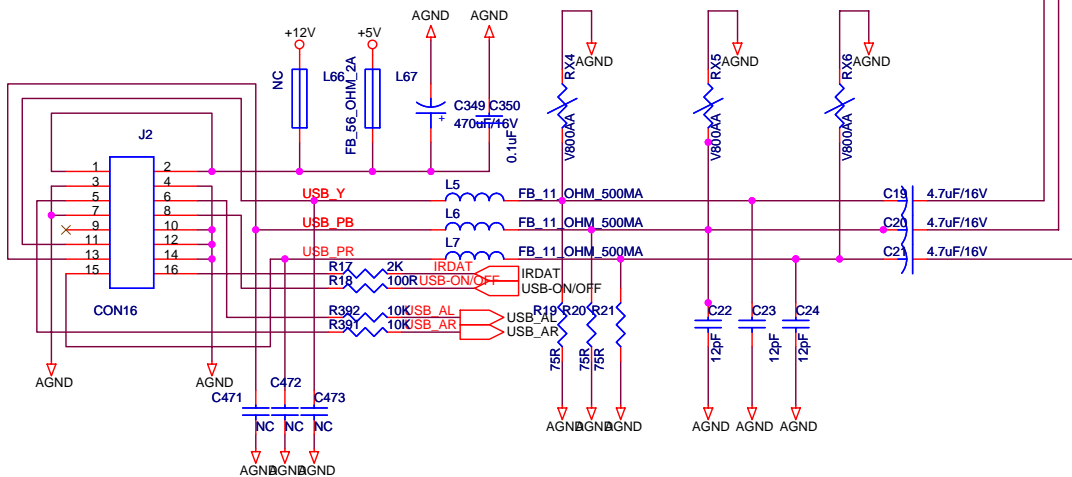
8K SDRAM FOR NORMAL APPLICATION
 16K SDRAM FOR MEDIUM APPLICATION
 128K SDRAM FOR LARGE APPLICATION

REV:001	MODEL: 07321	DATE: 14_09_07 08:00:00
REV:002	REV: 001	REV: 001
REV:003	REV: 001	REV: 001



IF Don't add USB module, then delete U1, add R?, R?, R?.

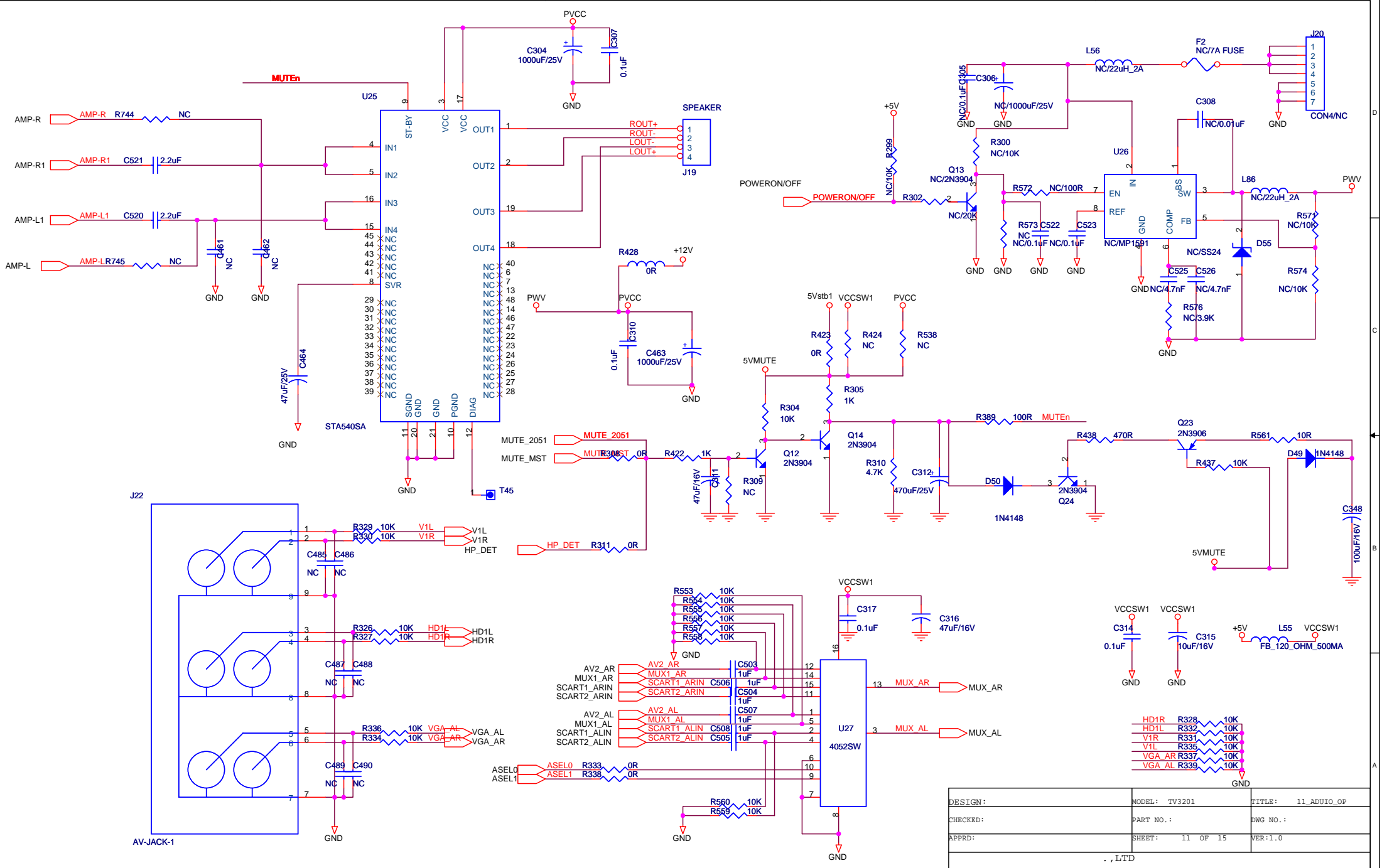
YINM R12 NC YINO
 PBINM R13 NC PBINO
 PRINM R14 NC PRINO
 TV1-Vin+R15 NC TVSW
 DTV_VINR16 NC



IF Don't add SDBE AV/S_VIDEO module, then delete U?, add R?, R?, R?.

SCART2_AV R129 NC CVBS2SW
 CVBS2 R130 NC

DESIGN:	MODEL: TV3201	TITLE: 02_HDINPU
CHECKED:	PART NO.:	DWG NO.:
APPRD:	SHEET: 2 OF 15	VER:1.0
LTD		



DESIGN:	MODEL: TV3201	TITLE: 11_Audio_OP
CHECKED:	PART NO.:	DWG NO.:
APPRD:	SHEET: 11 OF 15	VER:1.0
, LTD		