

### TYPICAL APPLICATION CIRCUIT

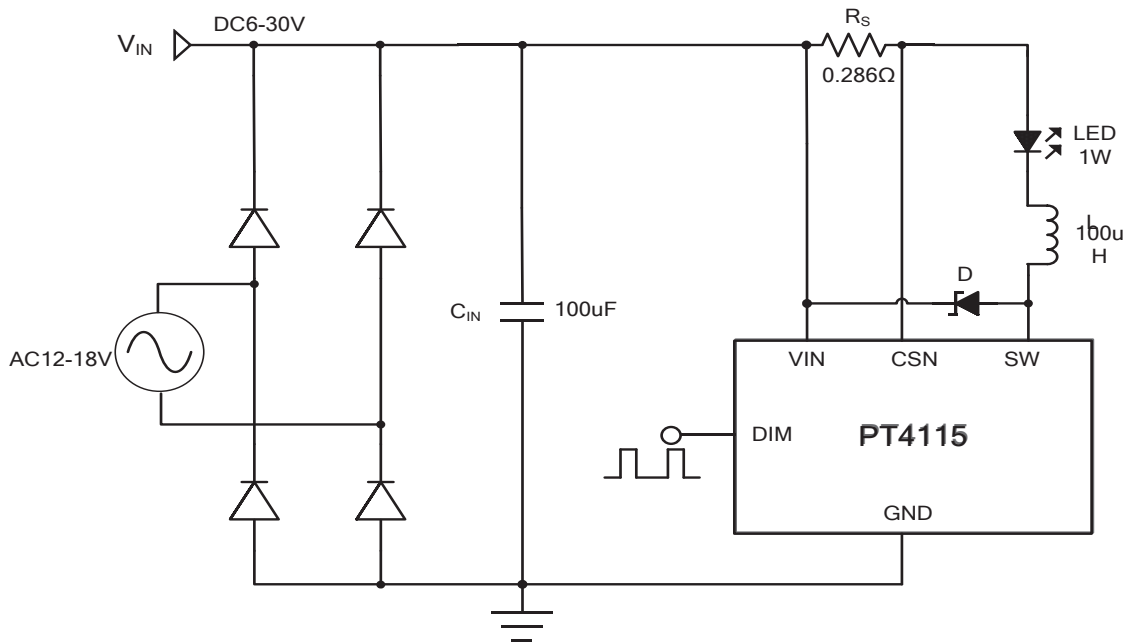


Fig1 : 1W application

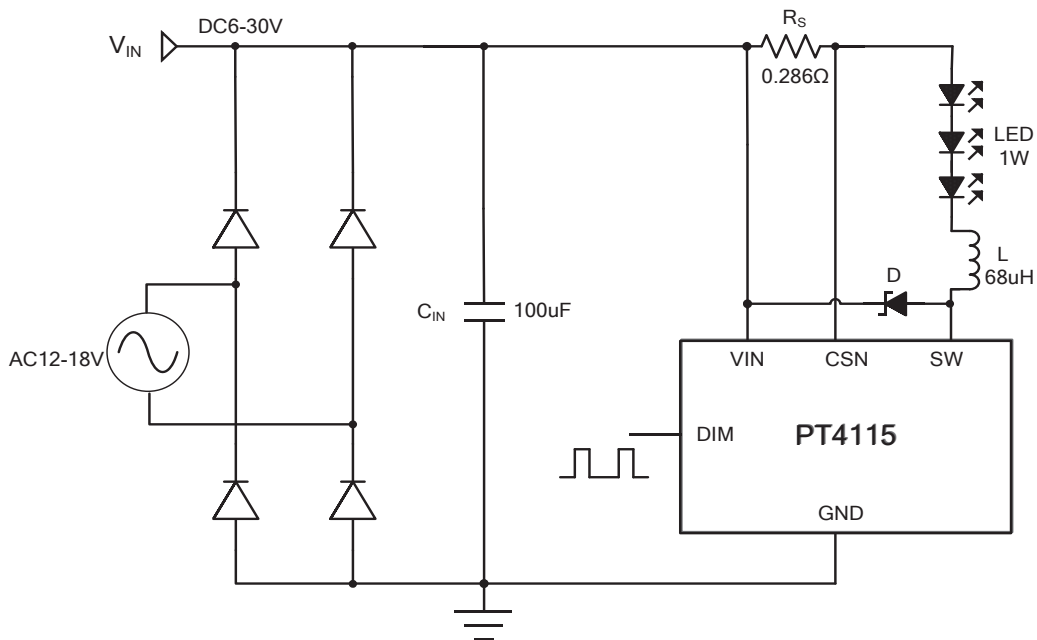


Fig 2: 3W application