

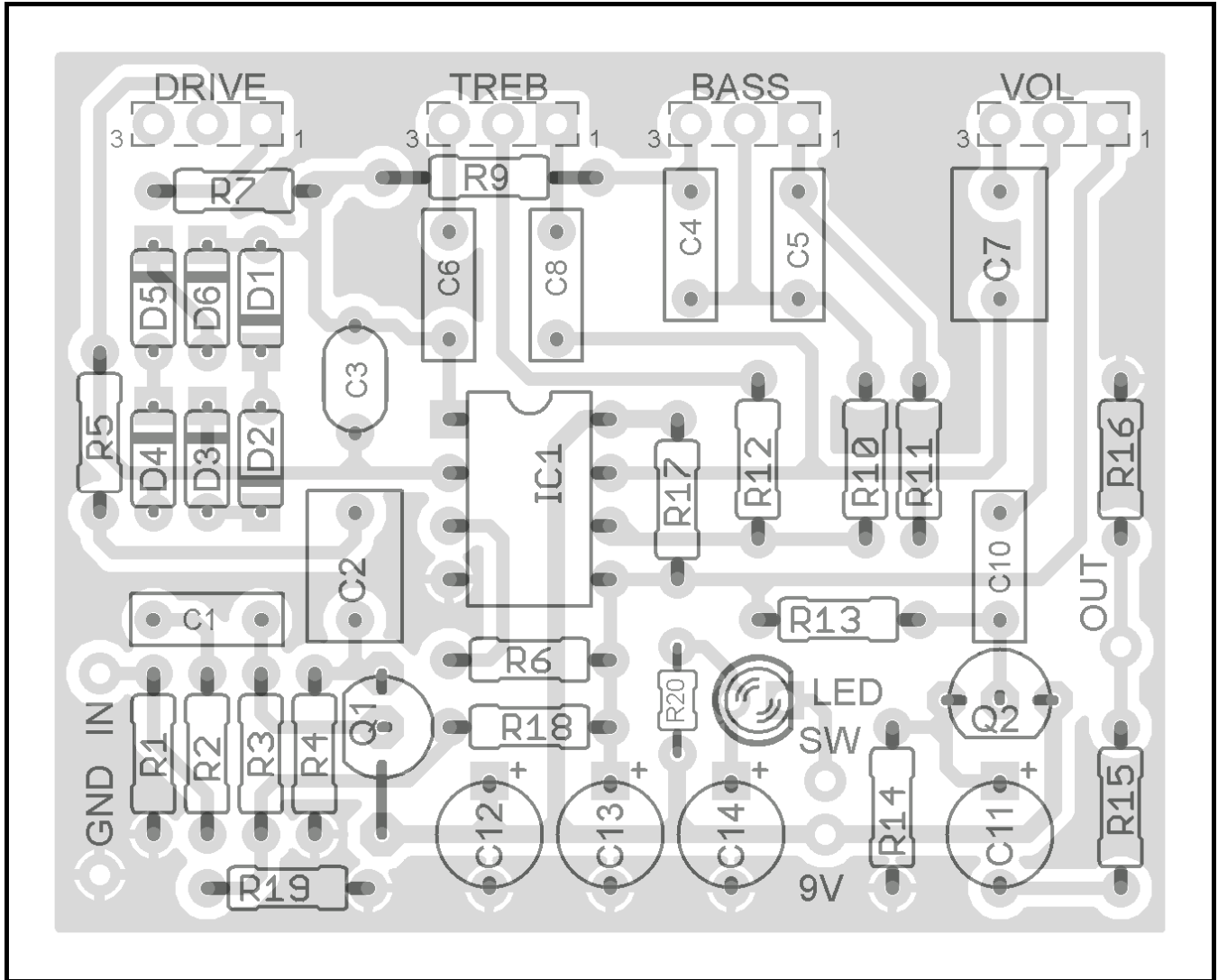
# QUASAR

(Based on the Xotic RC Booster)

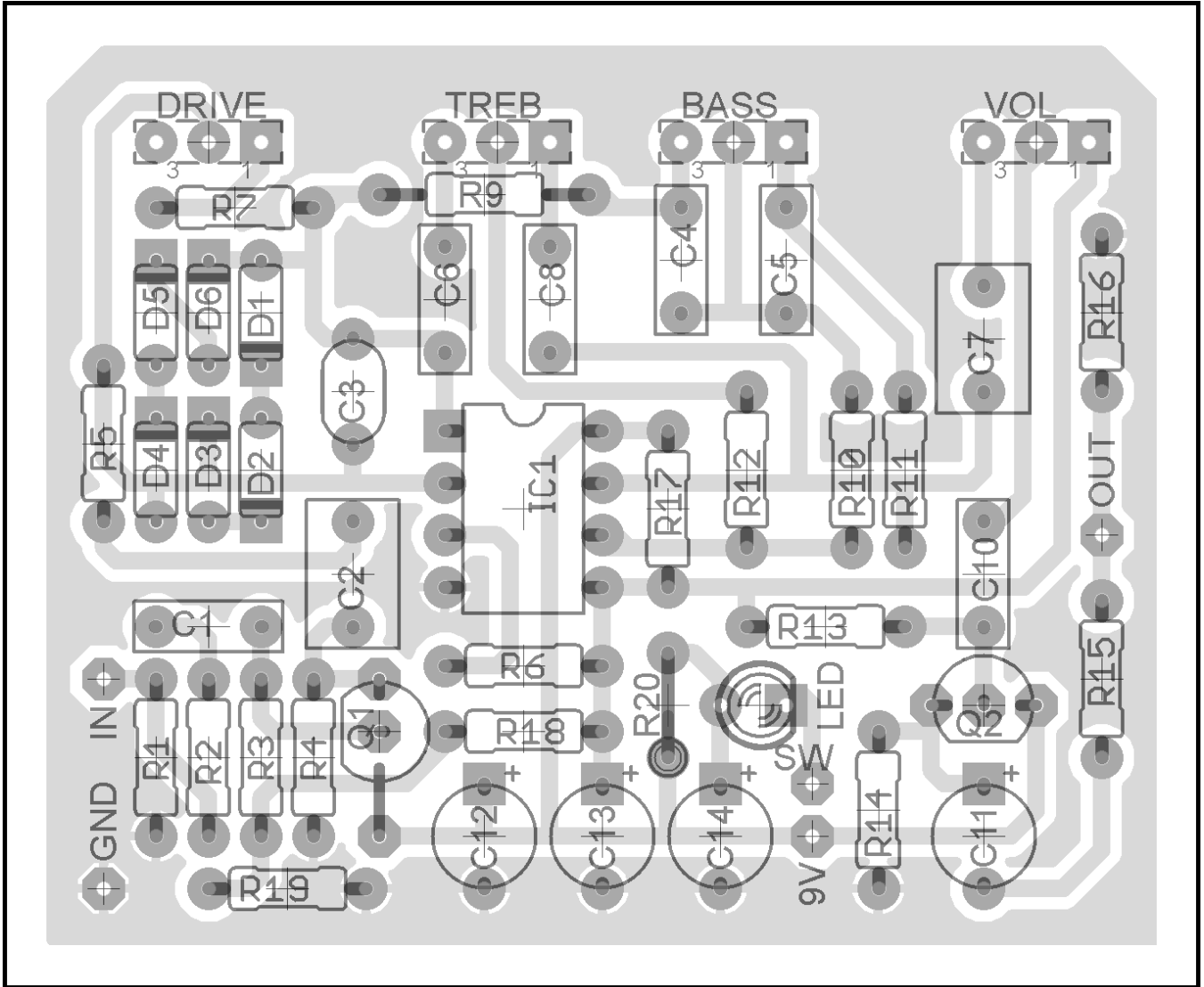
[brian@madbeanpedals.com](mailto:brian@madbeanpedals.com)

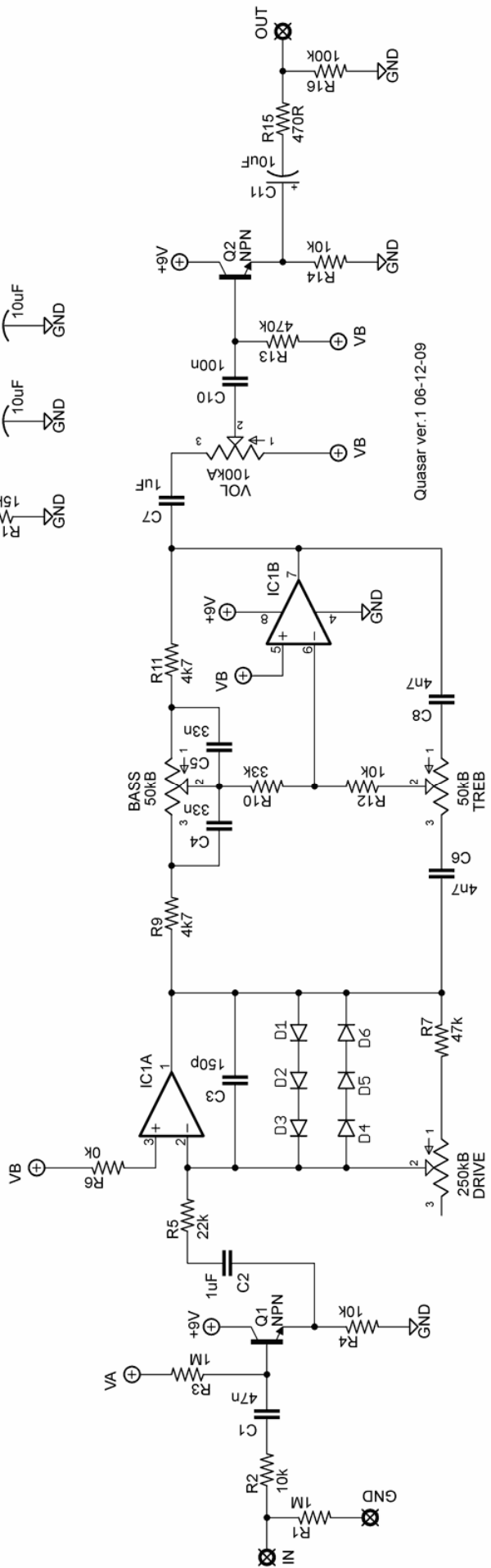
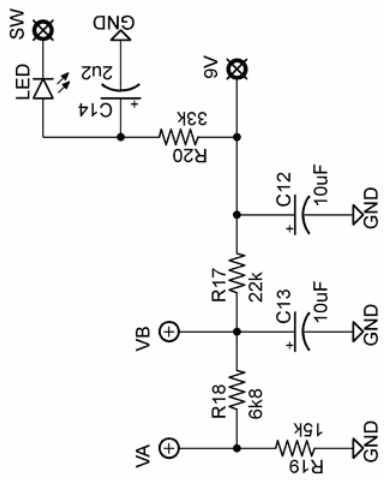
© 2009 madbeanpedals

VER. 2 08-07-09



VER.1 06-13-09





Quasar ver.1 06-12-09

Part	Value	Part	Value
R1	1M	C1	47n
R2	10k	C2	1uF
R3	1M	C3	150p
R4	10k	C4	33n
R5	22k	C5	33n
R6	0k	C6	4n7
R7	47k	C7	1uF
R9	4k7	C8	4n7
R10	33k	C10	100n
R11	4k7	C11	10uF
R12	10k	C12	10uF
R13	470k	C13	10uF
R14	10k	C14	2u2
R15	470R		
R16	100k	D1 - D6	1N4148
R17	22k		
R18	6k8	IC1	LF353N
R19	15k		
R20	33k	Q1, Q2	NPN
VOL	100kA		
BASS	50kB		
TREB	50kB		
DRIVE	250kB		

### Notes

- You can use any standard NPN for the two buffer transistors. 2n5088 or 2n5089 will work fine.
- For the IC, try TL072, OPA2134a or JRC4558
- Try 500k or 1M for the DRIVE pot if you want more gain.
- SW connects to your 3PDT to toggle the LED.

