

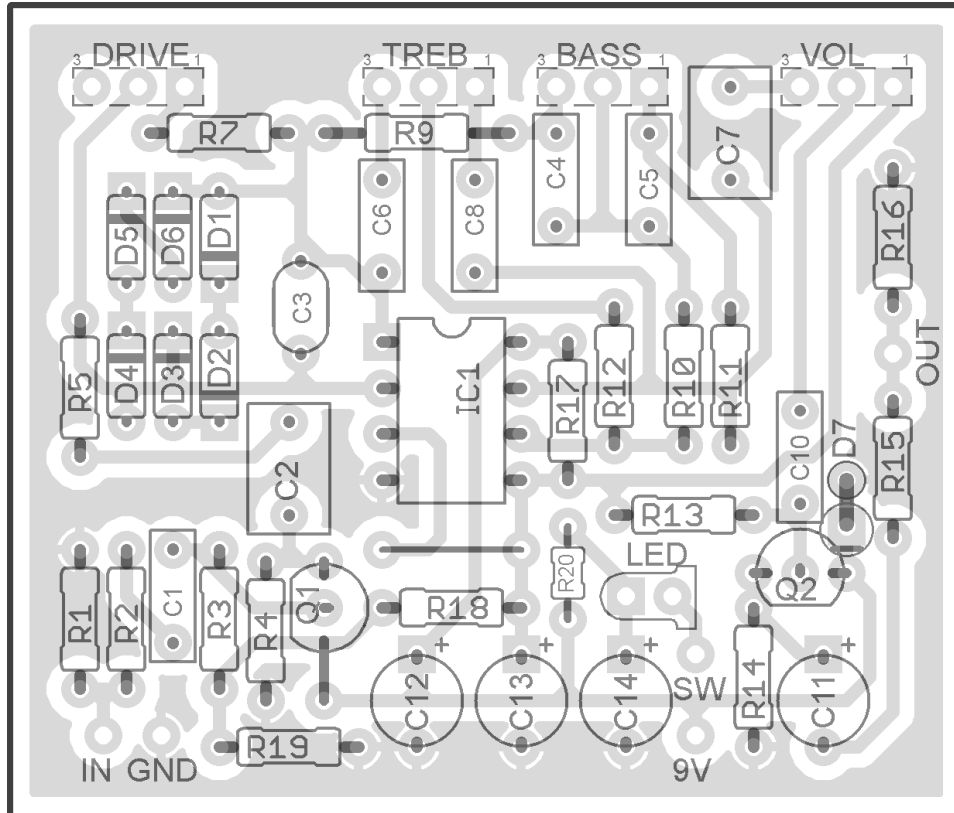
MADBEANPEDALS PRESENTS

QUASAR

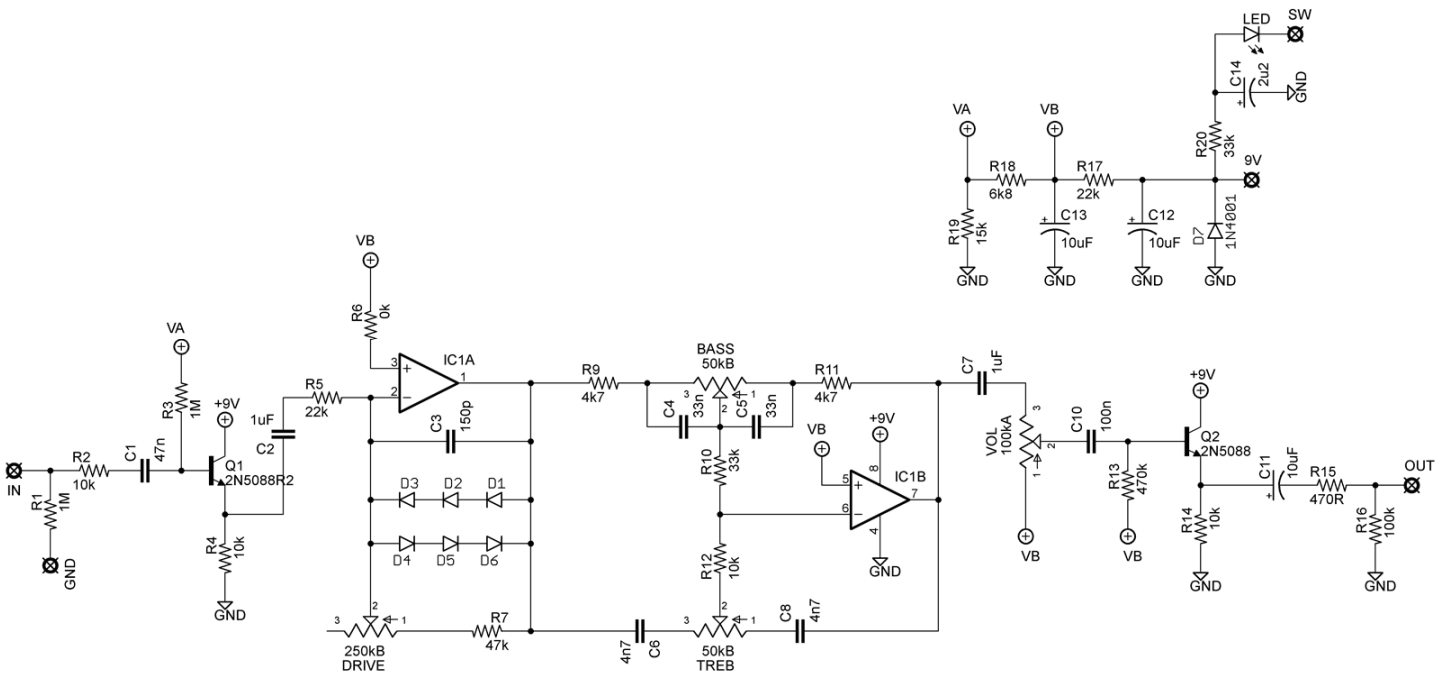
(based on the Xotic RC Boost)

PCB artwork ©2010 madbeanpedals

Ver.3 09.28.10



Resistors		Caps		Diodes	
R1	1M	C1	47n	D1 - D6	1N4148
R2	10k	C2	1uF	D7	1N4001
R3	1M	C3	150p	Transistors	
R4	10k	C4	33n		
R5	22k	C5	33n		
R7	47k	C6	4n7		
R9	4k7	C7	1uF	IC	
R10	33k	C8	4n7		
R11	4k7	C10	100n	Pots	
R12	10k	C11	10uF		
R13	470k	C12	10uF		
R14	10k	C13	10uF		
R15	470R	C14	2u2		
R16	100k				
R17	22k			DRIVE	250k
R18	6k8			TREB	50k
R19	15k			BASS	50k
R20	33k			VOL	100k



Notes

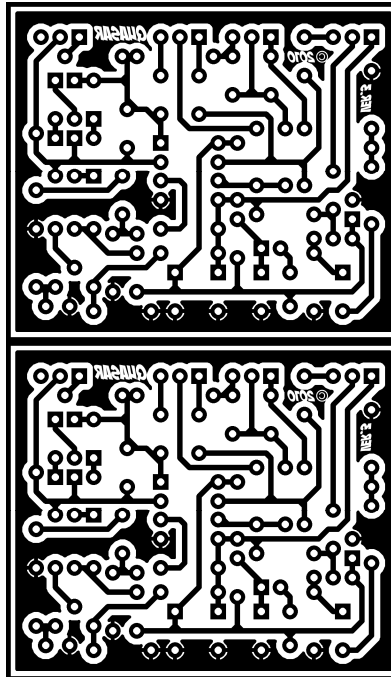
- There are many IC's that will work well in this circuit (stock IC is unknown). A TL072 is a good start. Others to try are: LF353N, TL2272, NE5532, or some of the high end Burr-Brown IC's.
- R6 is listed on the schematic as "0k", but this only a jumper (see jumper on the layout just below the IC). – **UPDATED 10.07.10**

Parts

- Xicon General or Hi-Temp radial electrolytic caps, 25v
- Xicon carbon or metal film resistors, 1/4W
- Panasonic ECQ-V or WIMA box caps, 25v or above
- Alpha 16mm potentiometers

SINGLE SIDED VERSION – FOR ETCHING

2.067" x1.767" (w / borders)



Visit <http://www.madbeanpedals.com/learn/index.html> for helpful wiring diagrams and drilling templates!
This product is intended for DIY use. Commercial use is prohibited.