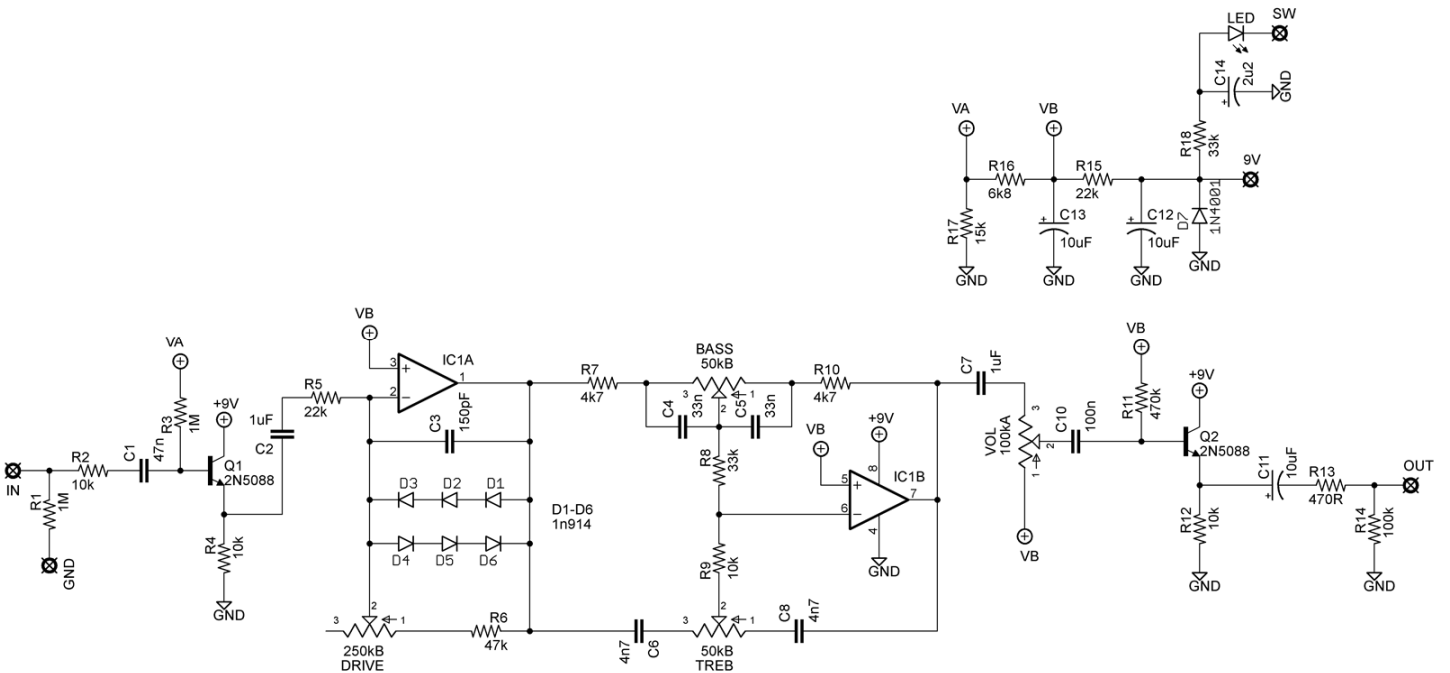
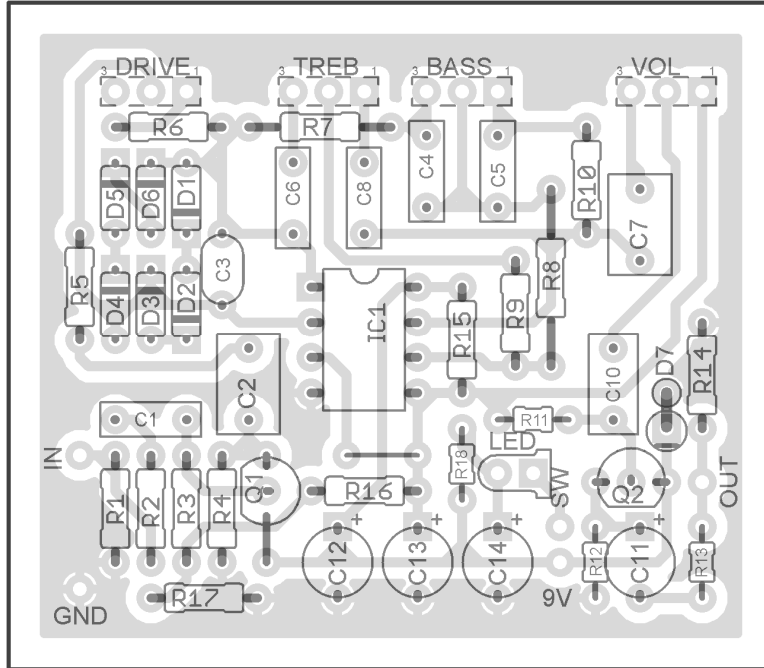
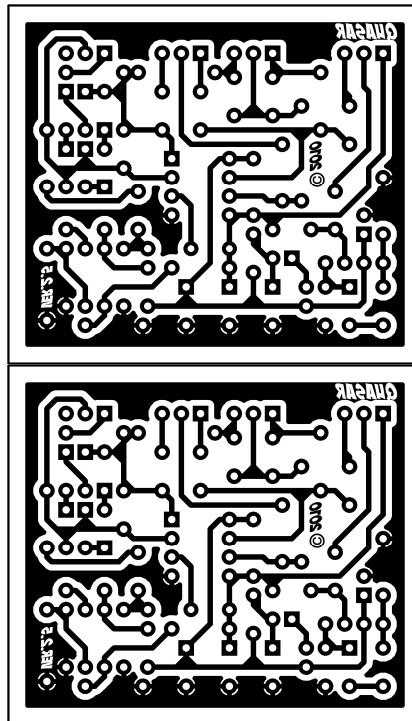


# QUASAR

(based on the Xotic RC Booster)  
PCB artwork ©2010 madbeanpedals  
Ver.2.5 04.07.10

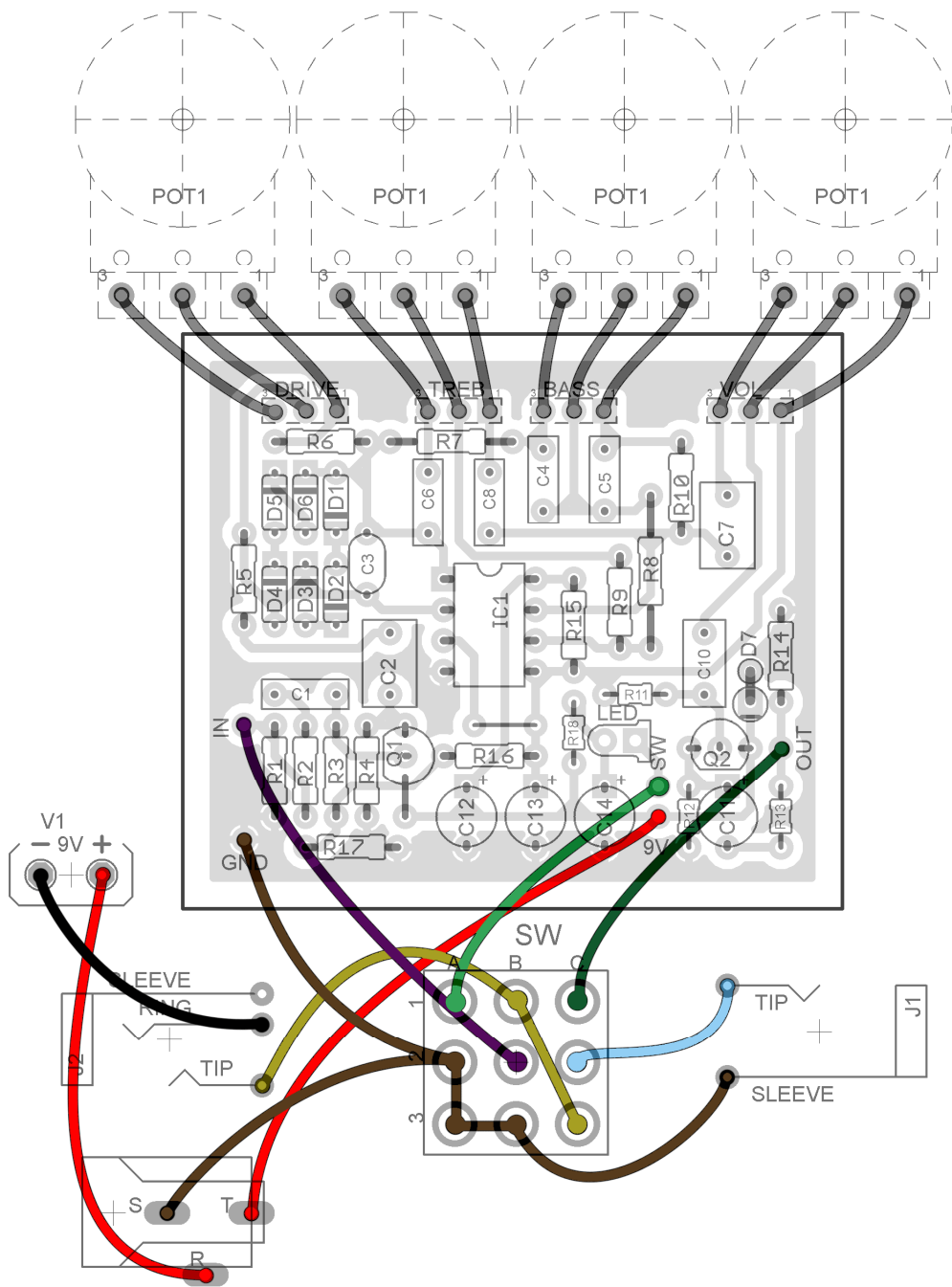


R1	1M	C1	47n	D1-D6	1N4148
R2	10k	C2	1uF	D7	1N4001
R3	1M	C3	150pF		
R4	10k	C4	33n	IC1	Dual Op-Amp
R5	22k	C5	33n		
R6	47k	C6	4n7	Q1-Q2	2N5088
R7	4k7	C7	1uF		
R8	33k	C8	4n7	BASS	50kB
R9	10k	C10	100n	DRIVE	250kB
R10	4k7	C11	10uF	TREB	50kB
R11	470k	C12	10uF	VOL	100kA
R12	10k	C13	10uF		
R13	470R	C14	2u2		
R14	100k				
R15	22k				
R16	6k8				
R17	15k				
R18	33k				

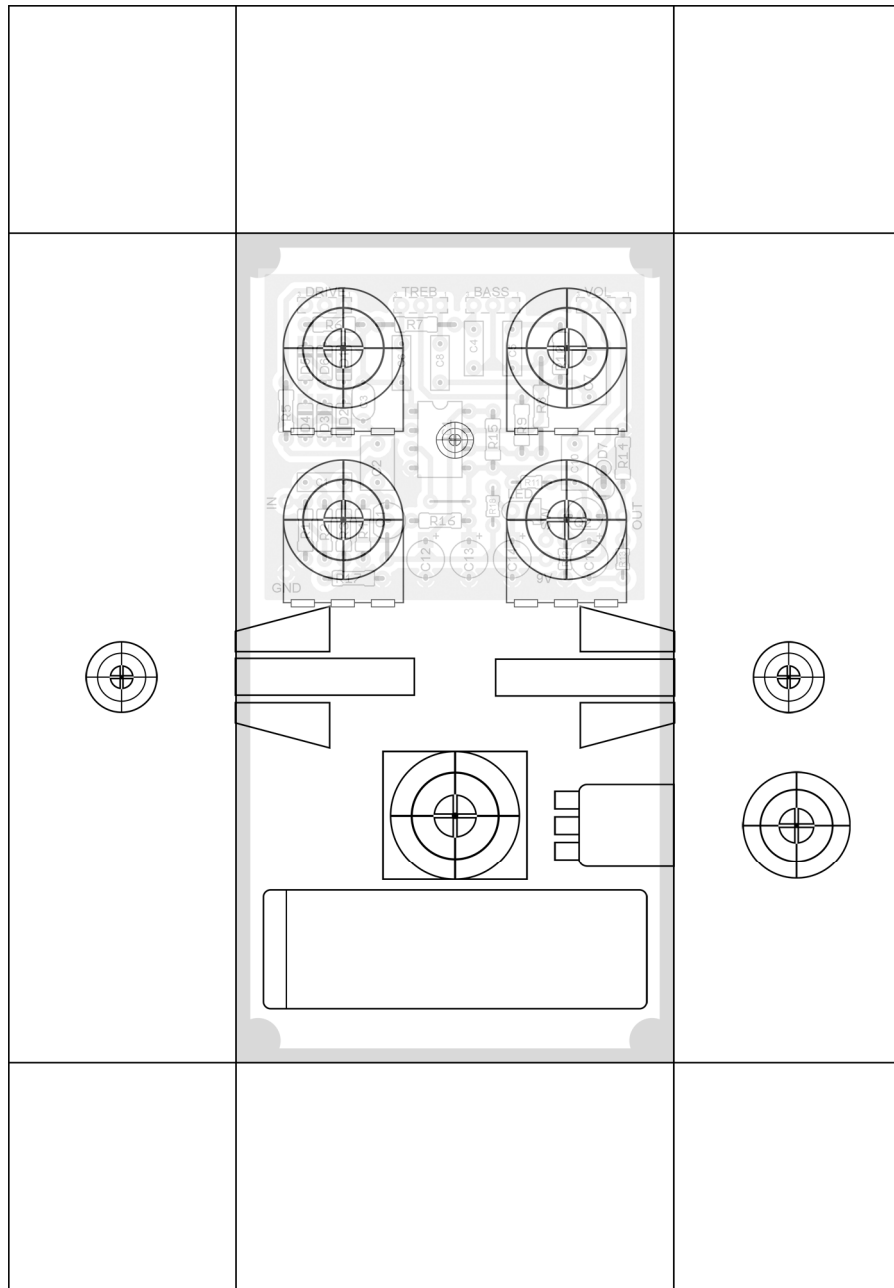


### Notes

- Stock IC is unknown. Try LF353N, JRC4559, NE5532, TL072 and TLC2272.
- You can use other transistors than the 2n5088. Be sure to check pinouts.



# 1590B/1290NS Enclosure



*This drilling template is provided "as is". Use at your own risk!*