



Ultrasonic Annunciator

Rev.2

W-08B



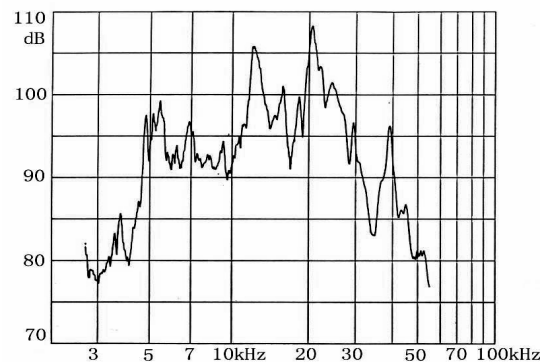
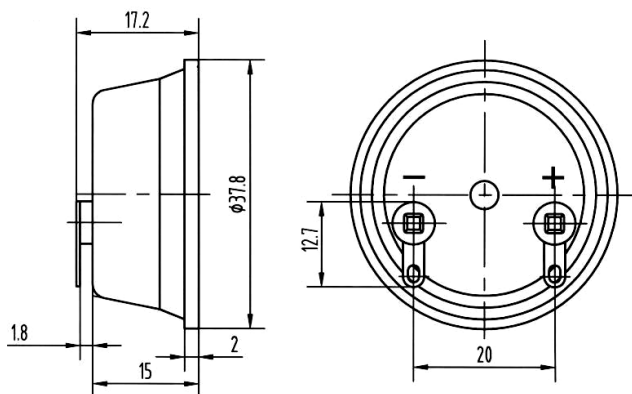
FEATURES:

- Small and Light
- Compact Structure
- High Reliability

APPLICATIONS:

- Automatic Control Equipment
- Communication Equipment
- Electronic Instruments

DIMENSIONS: (Unit: mm)



ELECTRICAL SPECIFICATIONS:

Min. Sound Pressure Level at

20±2kHz/2.83V_{RMS} Sine Wave /50cm.....95dB(A)

40±3kHz/2.83V_{RMS} Sine Wave /50cm.....90dB(A)

Rated Voltage.....2.83V_{RMS}

Max. Operating Voltage.....10V_{RMS}

Frequency Range.....4~50kHz

Operating Temperature.....-20~+70°C

Case Material/Color.....ABS/Black

Weight.....4.1g

PACKING INFORMATION:

Packing: 1280 pcs per export carton

Carton Size: 47×30.5×35 cm

G. Weight: 6.7 kgs N. Weight: 5.2 kgs

Address: No. 12. Lane 722. Sangtian Road Jiangdong, Ningbo, 315040 P. R. China

Sales Tel: +86-574-87809820(International)/87805605(Domestic)

Fax: +86-574-87803761

