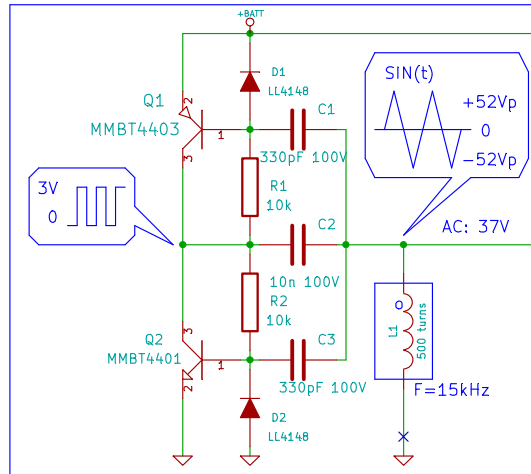
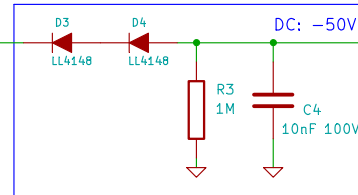


LC oscillator (voltage or series resonance)

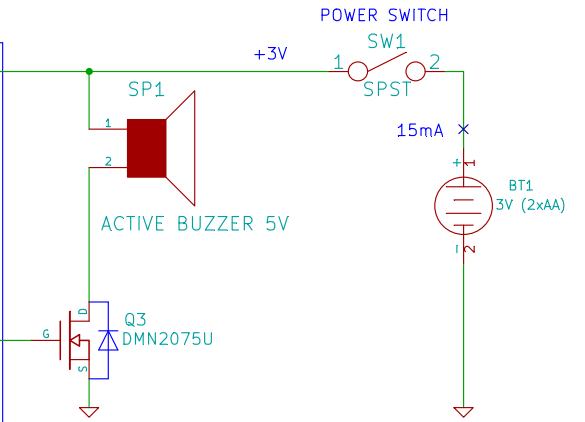
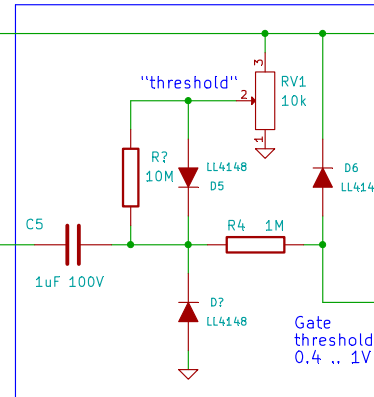


"MINIMAX-PP"
www.bypetrucho.narod.ru

One wave Rectifier: AC to DC



DC voltage offset to MOSFET threshold



COIL:

Consist of about 500..700 turns of wire (d=0.3 .. 0.4mm) over ferrite rood d=8..10mm L=40..100mm (from an old AM radio receiver).

IMPORTANT:

C1, C2, C3, C4, C5 – film capacitors (i.e. polypropilen insulation)

Operating frequency, wire diameter, and ferrite rood properties will affect final sensitivity. IMHO the optimal operating frequency: 10..30 kHz.

Replacement for DMN2075U could be any low Gate Threshold N-channel MOSFET. For example:

SMD package SOT-23:

IRLML2502
NTR4501N
S12302ADS
BSS138

Non SMD package TO-92:

BS108
BSN254
BSN304
ZVNL110
ZVNL120
ZVNL535
ZVN4424
25K2962
25K2989
2N7000
VN2406
VN2410

www.bypetrucho.narod.ru

By Petrucho

File: max_pp_v4.sch

Sheet: /

Title: Pinpointer "MINIMAX-PP"

Size: A4 Date: 22 jan 2012

Rev: D

KiCad E.D.A. eschema (2011-12-21 BZR 3253)-stable

Id: 1/1