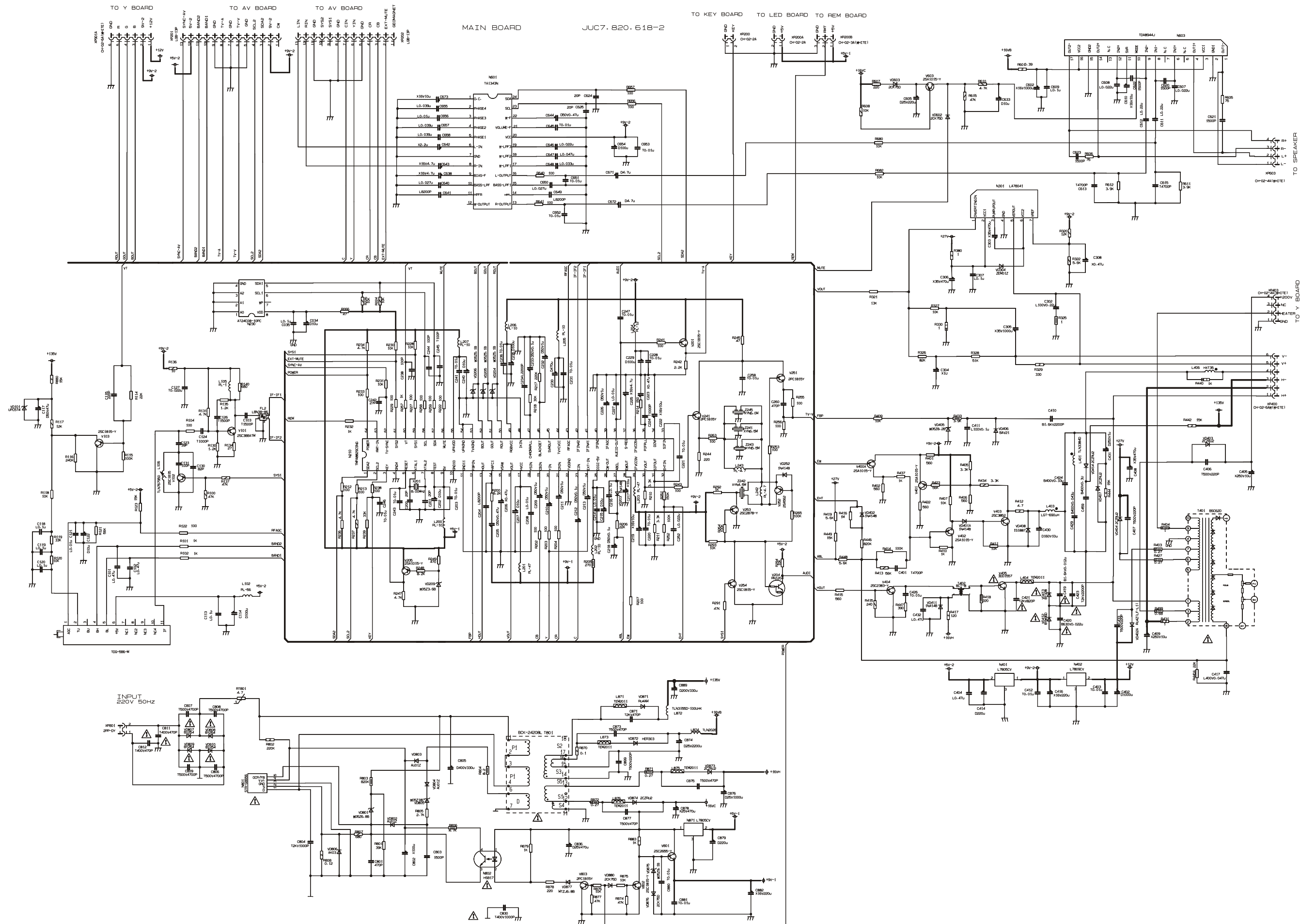
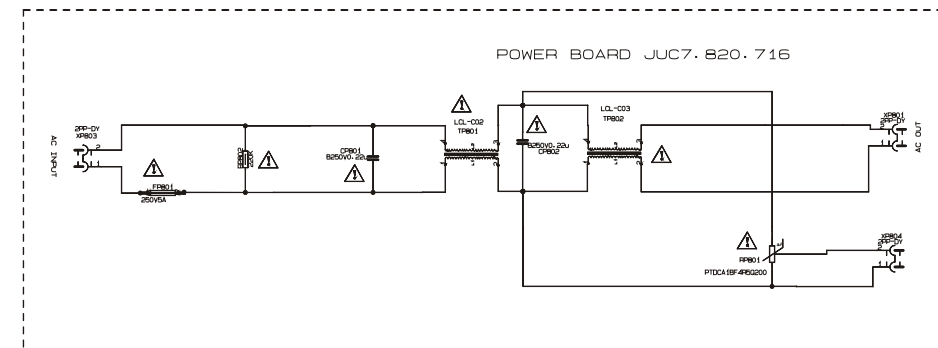
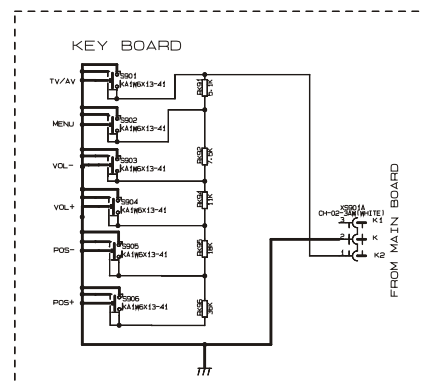
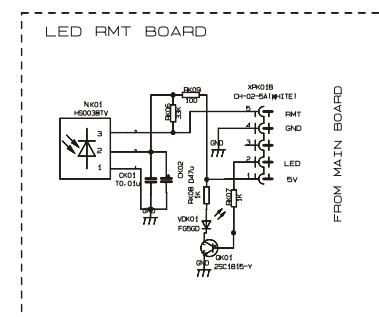
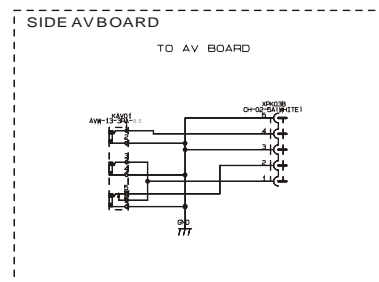
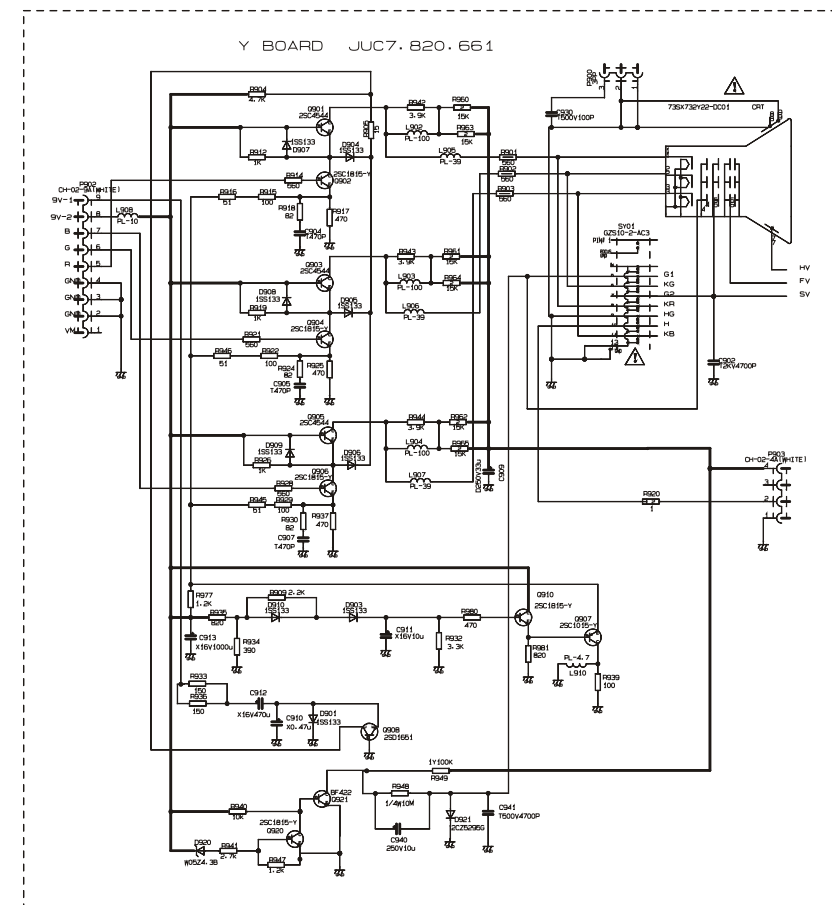
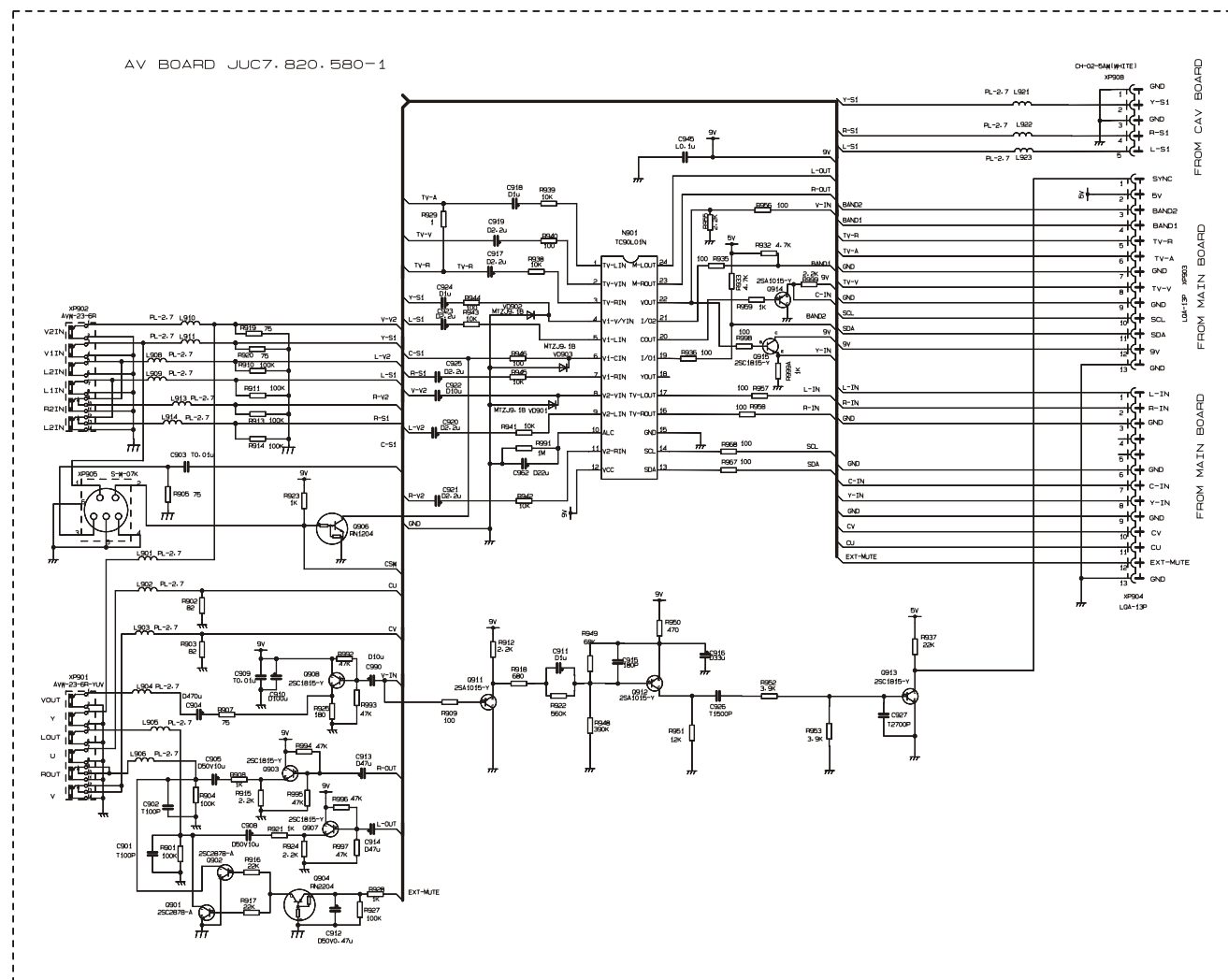


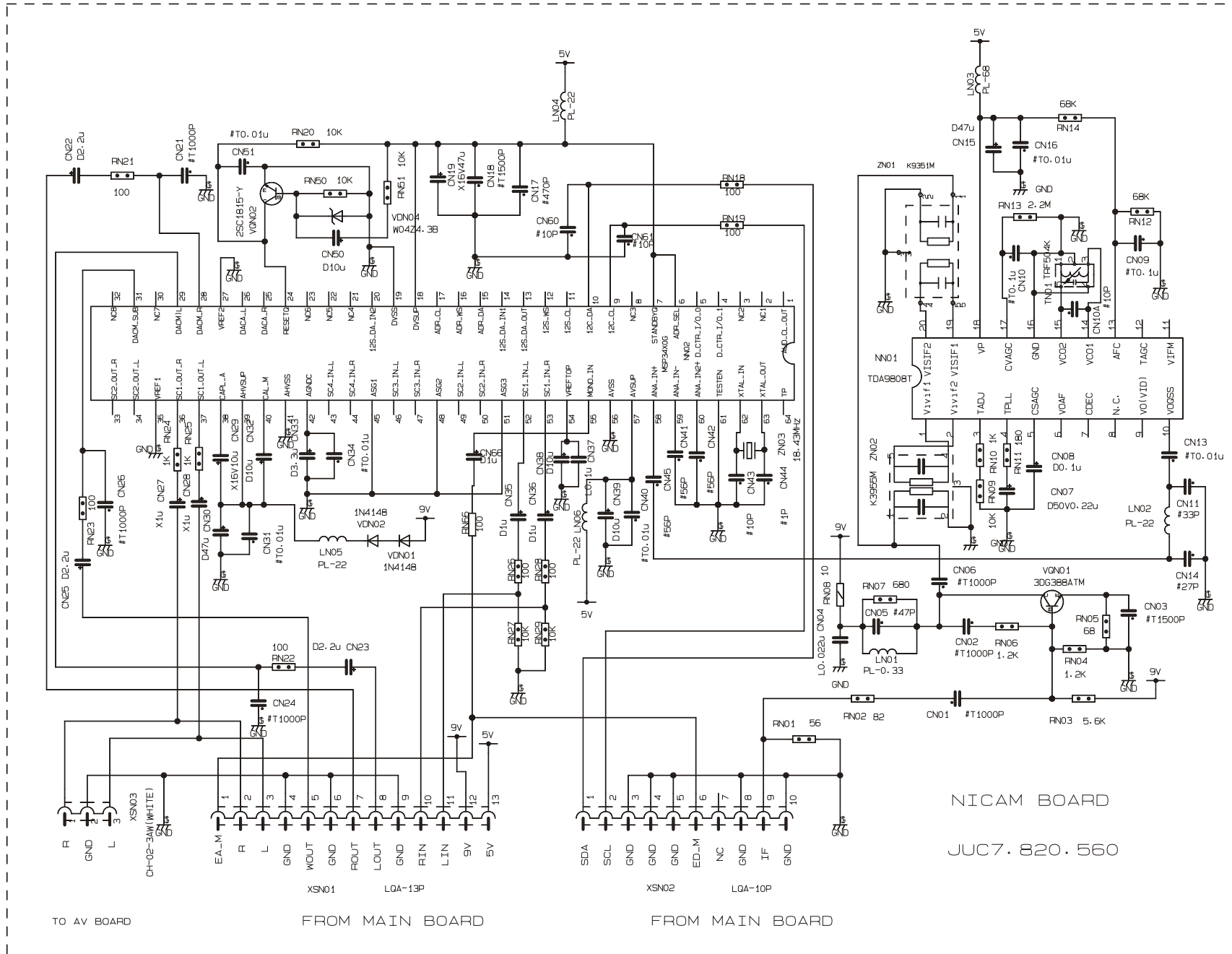
CIRCUIT DIAGRAM FOR ST-29F55N (1)



CIRCUIT DIAGRAM FOR ST-29F55N (2)



CIRCUIT DIAGRAM FOR ST-29F55N (3)



SERVICE mode

Set the volume to 0 by the remote control. Then press and hold the MUTE button on the remote control and MENU button on the TV at the same time for over 2 seconds. In the S mode, press the POWER button to quit the S mode.

“S” is red and other items are yellow.

Use the ↓ / ↑ buttons on the remote control to highlight an adjustment and the ← / → buttons to adjust it.

The POS+/-, ↑ / ↓ / ← / →, 1-6, RECALL, VOL+/-, MUTE and POWER buttons on the remote control function in the S mode, but 100+, 7, 8, 9 and 0 buttons not.