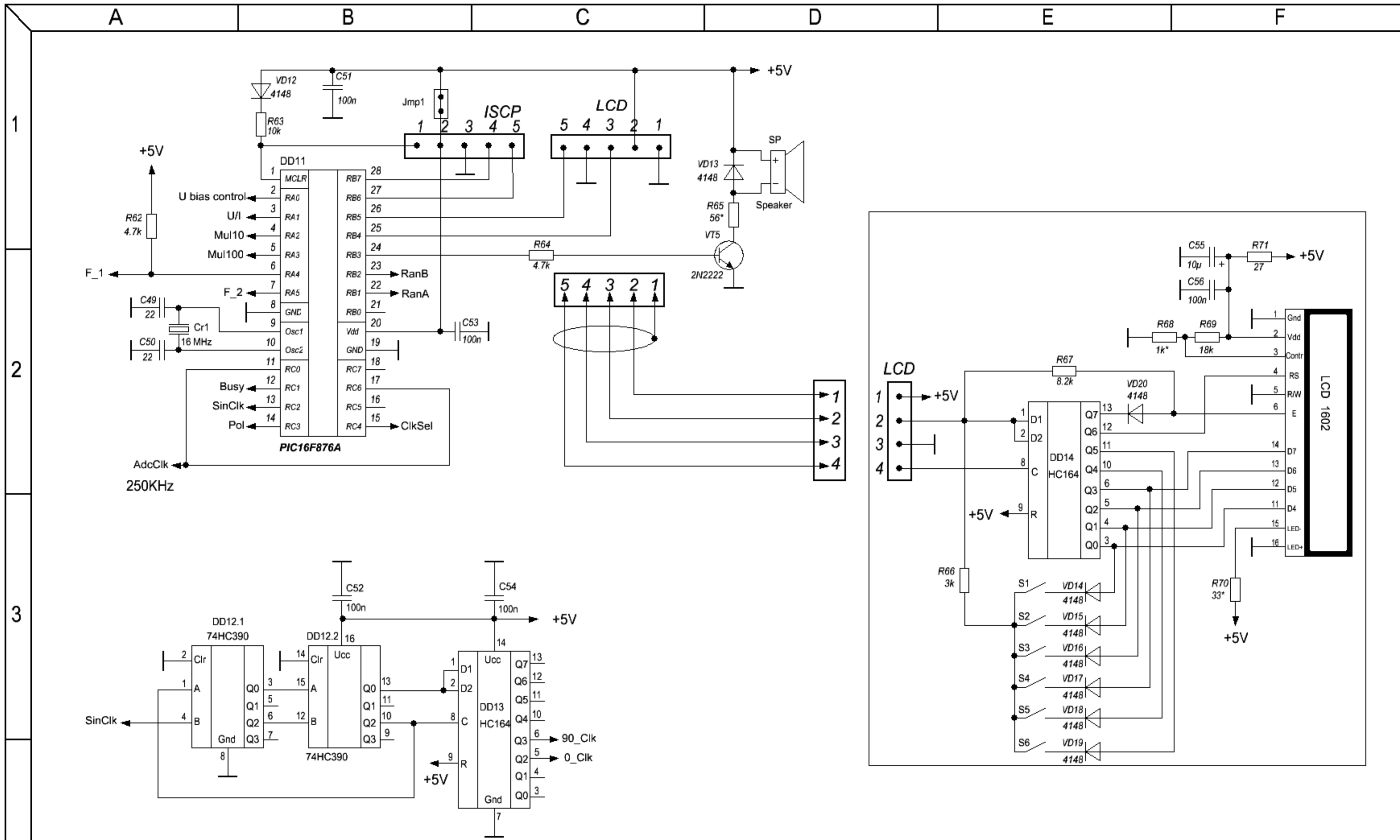
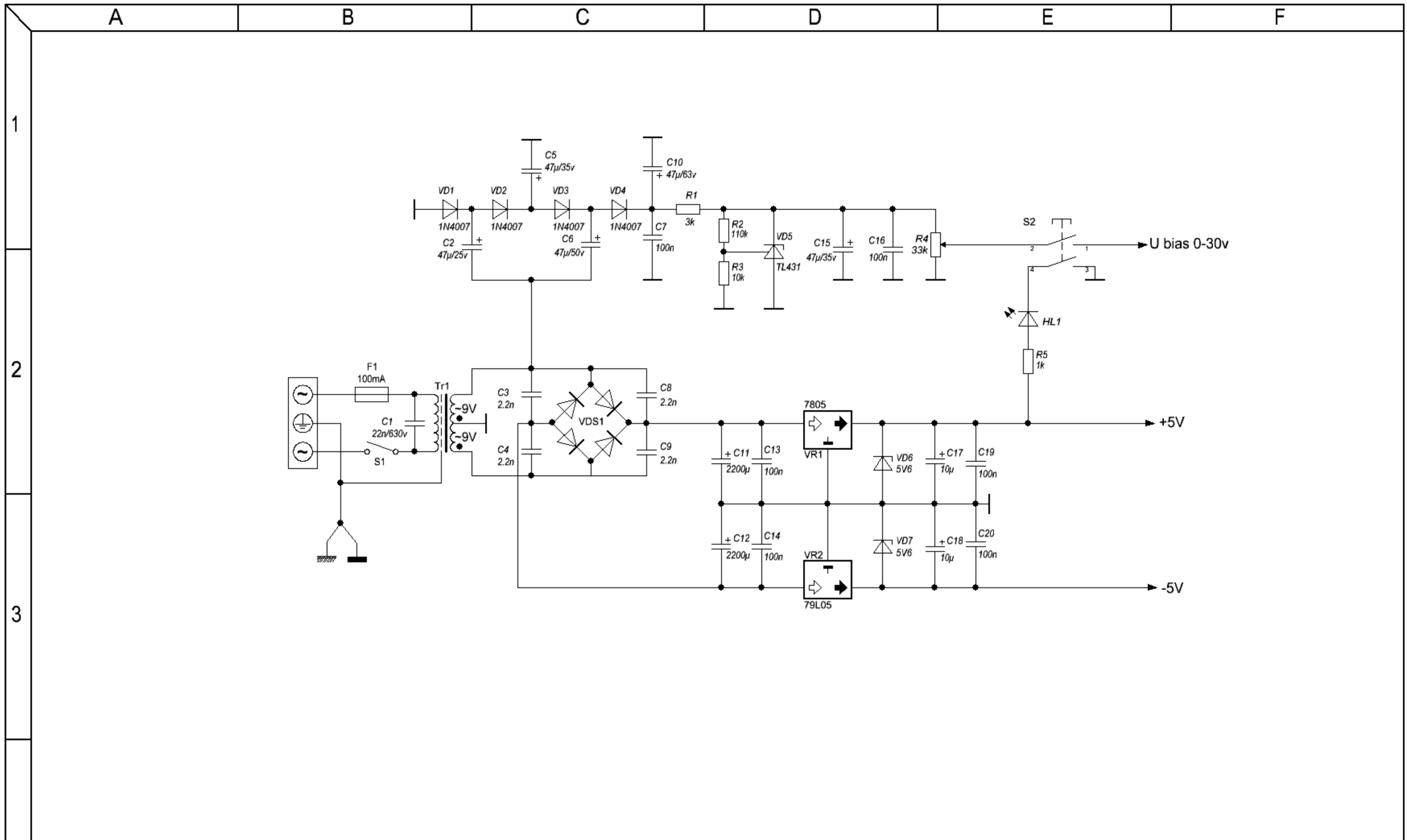


		date	name	description	pages
date	name			RLC meter Analog V 1.0 (19.10.2008)	3
					page no.
				diagram no.	



		date	name	description	pages
date	name			RLC meter Digital V 1.0 (19.10.2008)	3
					page no.
				diagram no.	2



1					
2					
3					
4					

			date	name	description RLC meter Power V 1.0 (19.10.2008)	pages
date	name					3
					page no.	3
					diagram no.	