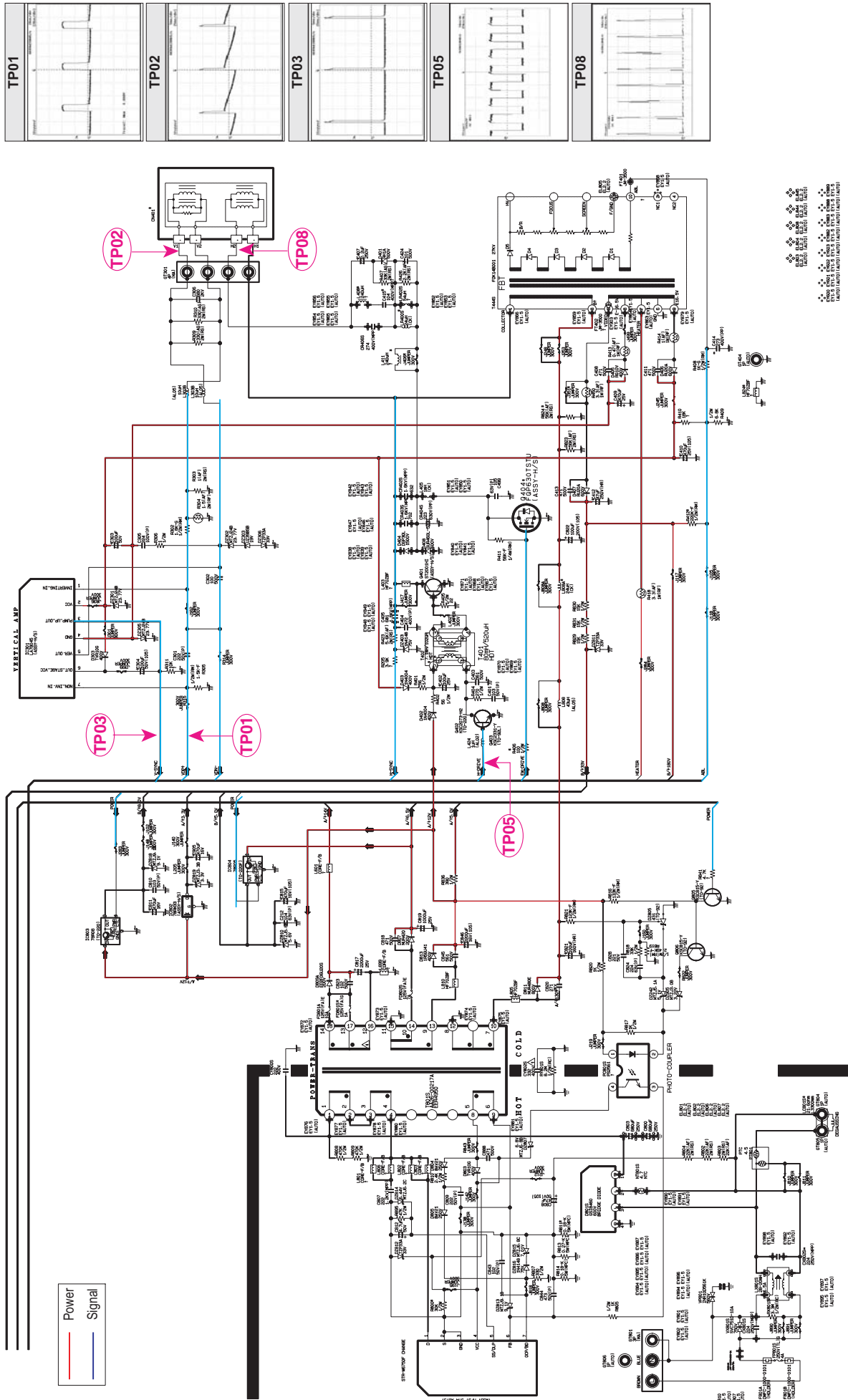


10. Schematic Diagram

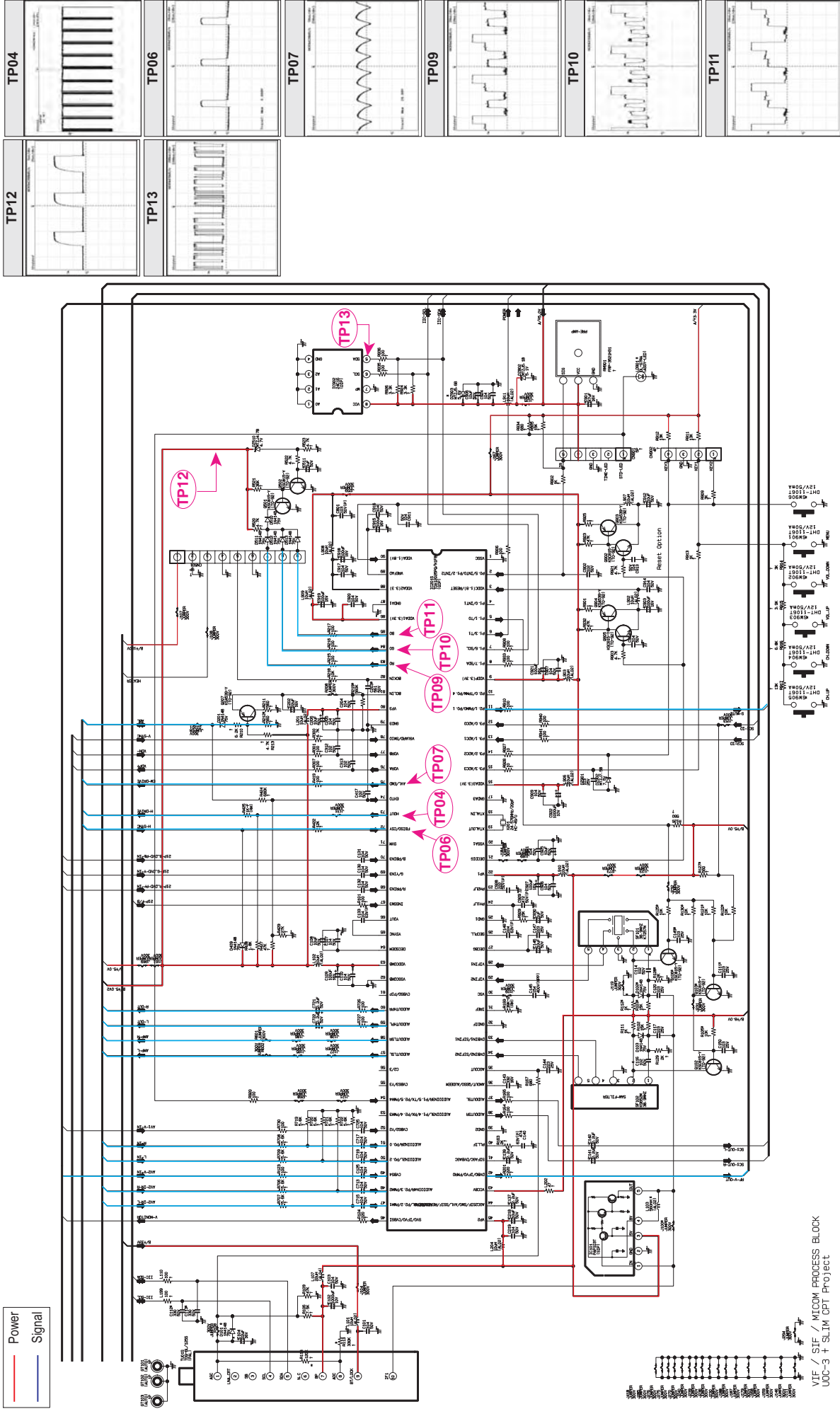
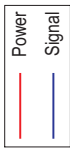
10-1 Power

This Document can not be used without Samsung's authorization.



10-2 Main

This Document can not be used without Samsung's authorization.



VTF / SIF / MICOM PROCESS BLOCK
UCC-3 + SLIM CPT Project

10-4 Sound

This Document can not be used without Samsung's authorization.

