

BlueRingTester Installation & Operation Manual

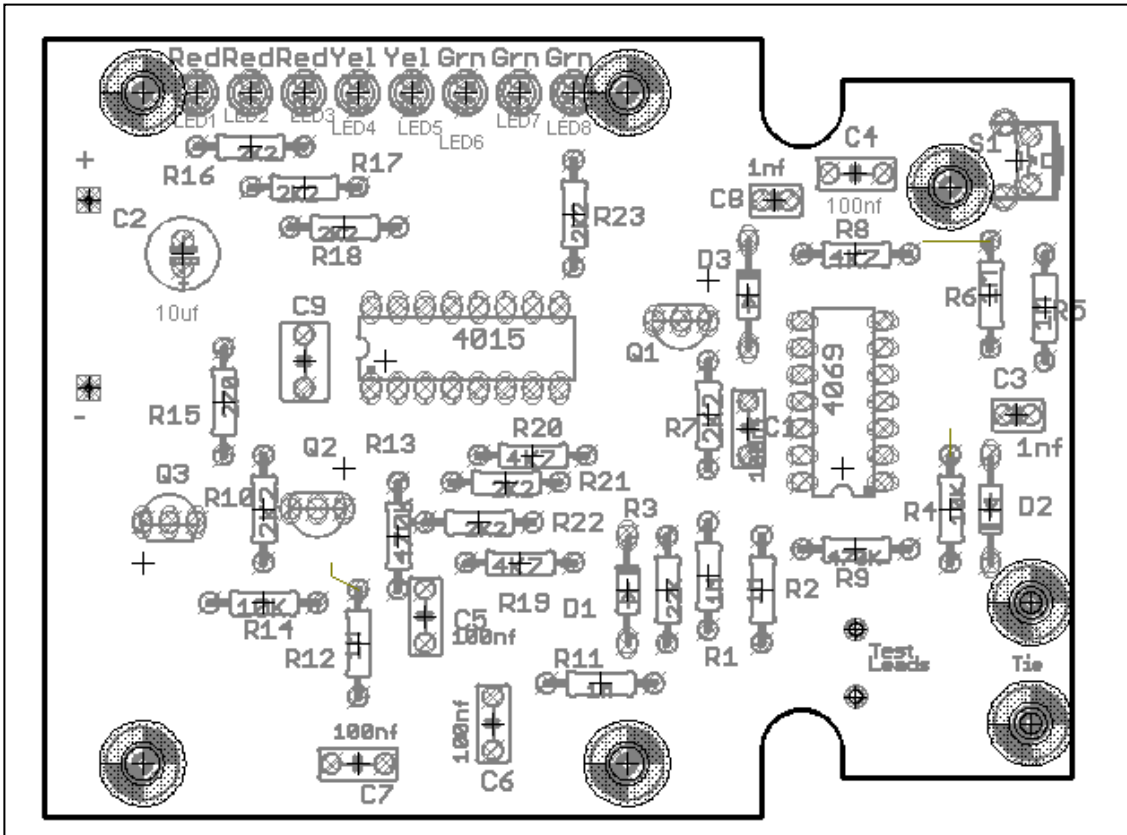
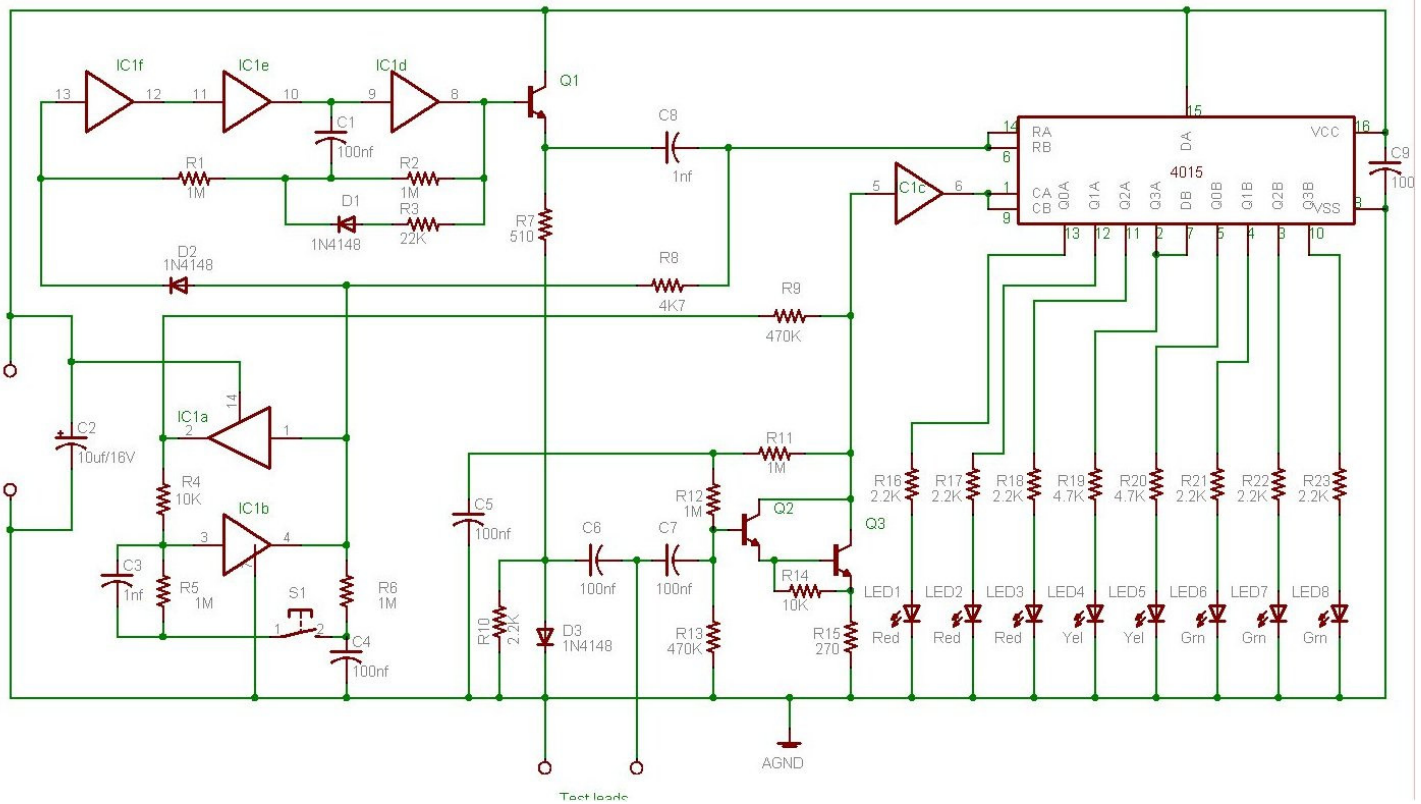
Main Electronic Supplies Ltd
4554 Main Street
Vancouver BC V5V 3R5

www.mainelectronics.com



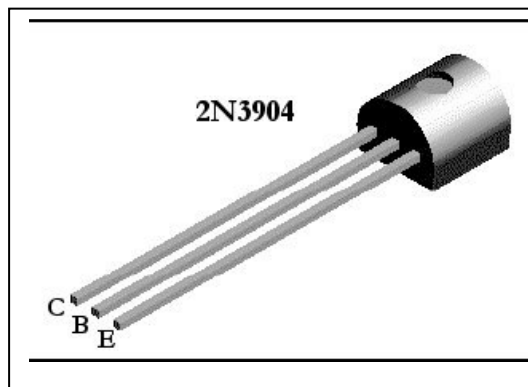
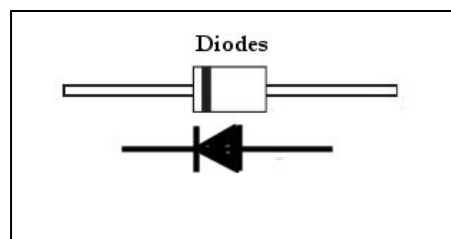
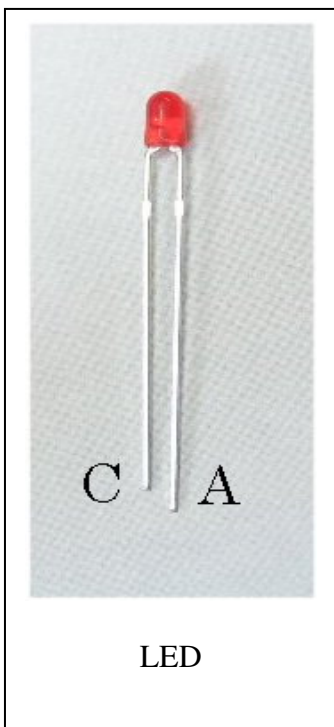
This ring tester is an inexpensive and effective way to test any high Q inductive component. It is especially useful for doing a quick check on flyback, line output transformers and other high frequency wound components like deflection yoke windings and SMPS transformers.

The LEDs on the left side show the Q of the device being tested, more lights = higher Q, i. e., no lights = short circuit, red = Bad or low Q, yellow = ??? or medium Q, green = Good or high Q.



Parts List

Resistors all 5% ¼ Watt	Capacitors all 16 WV minimum	Semiconductors	Miscellaneous
270 Ω, R15 Red-Blue-Brown	1 nf ceramic, C3, C8	1N4148, D1, D2, D3	Pushbutton switch with cap
510 Ω, R7 Green-Brown-Brown	100 nf ceramic, C1, C4, C5, C6 C7, C9	2N3904, Q1, Q2, Q3	Blue Hammond enclosure
2.2 KΩ, R10, R16, R17, R18, R21, R22, R23 Red-Red-Red	10 uf electrolytic, C2	CD4069, IC1	Label
4.7KΩ, R8, R19, R20 Yellow-Violet-Red		CD4015, 1C2	Pair of test leads
10 KΩ, R4, R14 Brown-Black-Orange		Red LED, LED1, LED2, LED3	Pair of alligator clips with insulators
22 KΩ, R3 Red-Red-Orange		Yellow LED, LED4, LED5	3" tie wrap
470 KΩ, R9, R13		Green LED, LED6, LED7, LED8	2 grommets
1 MΩ, R1, R2, R5, R6, R11, R12 Brown-Black-Green			printed circuit board
			ferrite core and wire



Construction

As you can see in the photos, all the components are mounted on a single PC board which is then attached to the enclosure bottom.

Even though the pc board is high-quality with solder-mask it is still wise to check it for defects. To do this, illuminate the component side with a bright light and examine the copper side very carefully – preferably with a magnifier – for any hairline fractures in the tracks.

During assembly frequently check for any solder “whiskers” or bridges and pay particular attention to any tracks, which pass between IC pads, where such defects tend to congregate and hide. It is good practice to install 5 or 6 components and then check the soldering of them under a magnifier. Then move on and install 5 or 6 more.

The PC board is tightly packed and the solder pads are quite small so be very careful with your soldering. Always lift the iron vertically from a just soldered joint and never wipe it sideways as so many constructors seem to do!

Component Installation Sequence

The kit package contains five plastic bags of components. Install them in the following order:

5% resistors

Capacitors

Semiconductors (See detailed description of LED installation)

Miscellaneous parts

The bag labeled “test” contains an inductor that will use after your unit is assembled. The inductor is not installed on the pc board.

NOTE: A late design change made R7 510 ohms (green-brown-brown) instead of the 2.2 Kohms shown on the pcb silkscreen. This change makes the tester more sensitive when used on low impedance components such as SMPS transformers and deflection yoke horizontal coils.

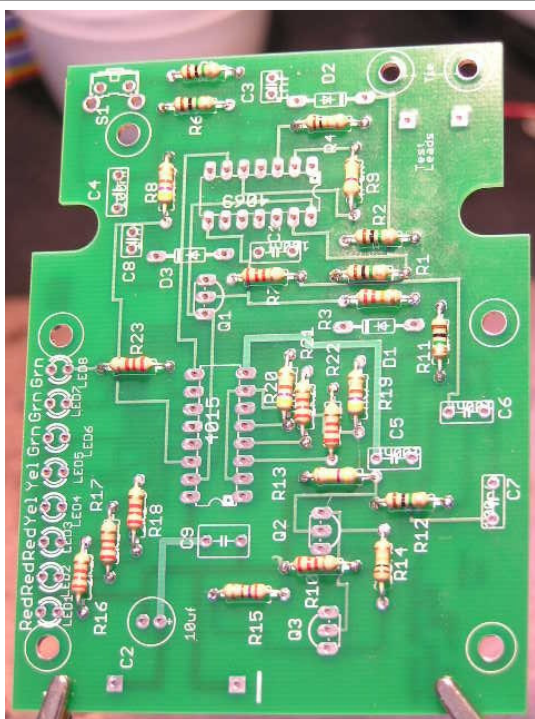
Installing components

The construction sequence basically installs the smallest components first. The table of color codes above will help you select the resistor values prior to checking.

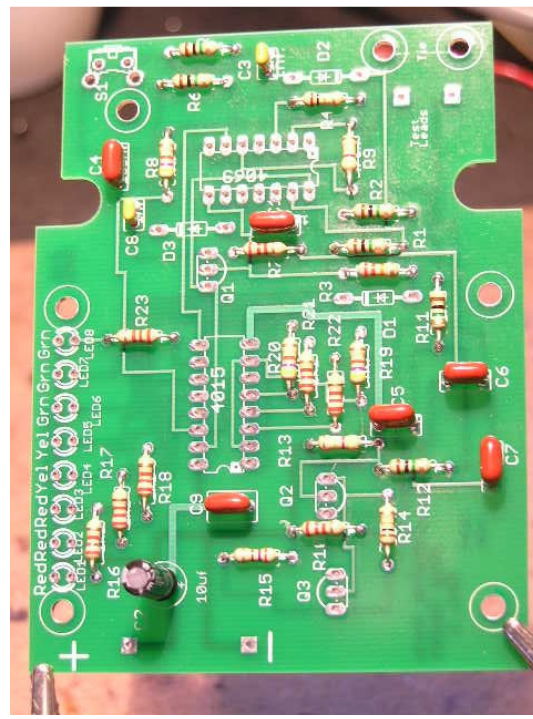
It is a good idea to check the value of all of the resistors with an ohm meter as manufacturers occasionally make labeling mistakes.

Take care with the orientation of the polarized components: the electrolytic capacitor, diodes, LEDs and transistors.

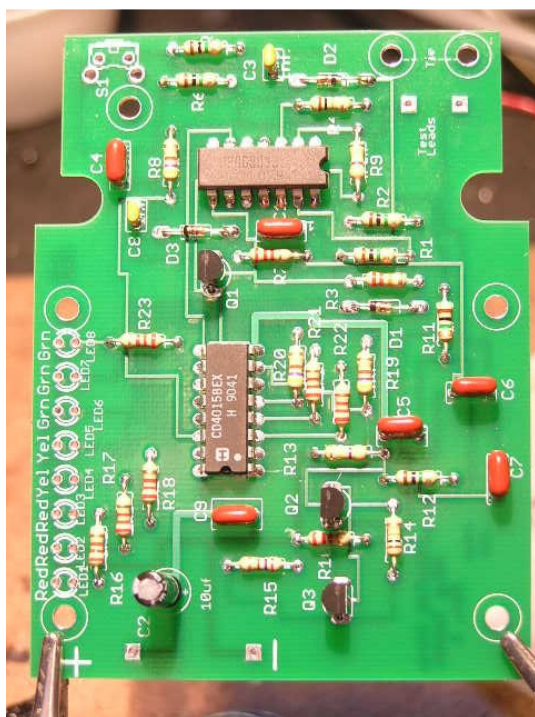
OPTION: Some kit builders are nervous about soldering directly to the integrated circuit pins and prefer to install sockets for that reason. Feel free to do so although sockets are not included in the kit. If you solder your integrated circuits and manage to damage them in doing so contact AnaTek. We will replace the integrated circuits for **FREE!**



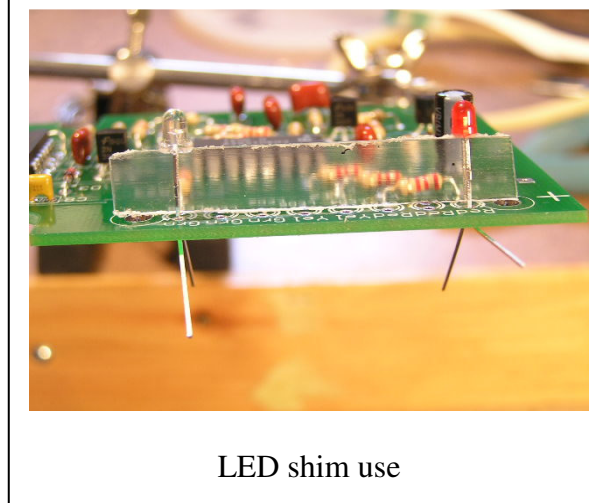
Resistors installed



Capacitors installed



Semiconductors (not LEDs) installed

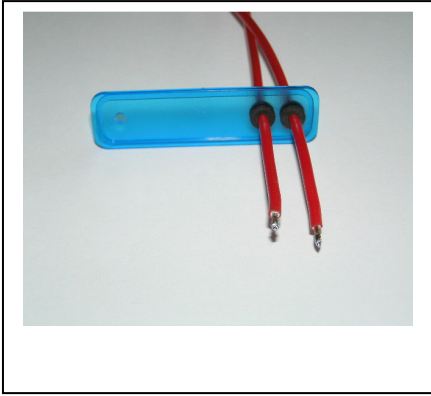


LED shim use

See picture above for use of the plastic shim for aligning the LEDs.

Put red LED1 in place and green (it looks clear) LED8 into place and slide the shim under them. Then put the other LEDs into place and press all of them against the shim. Bend the leads to hold them into place and solder. Then slide the shim out. This

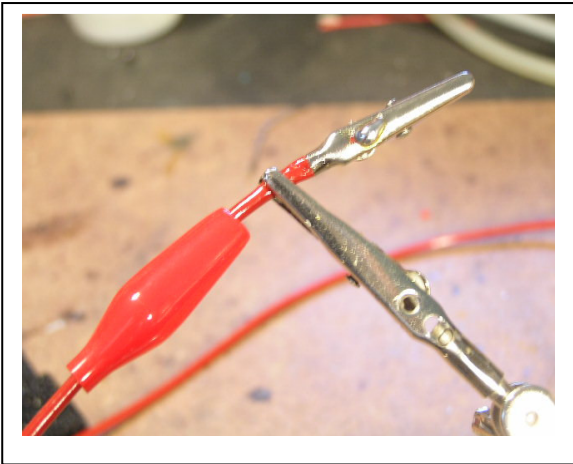
makes the LEDs the same height. Adjust to line them up in a line. Short leads go to the outside of the pcb. See the note on the non-component side of the board indicating the short lead position.



Test lead installation

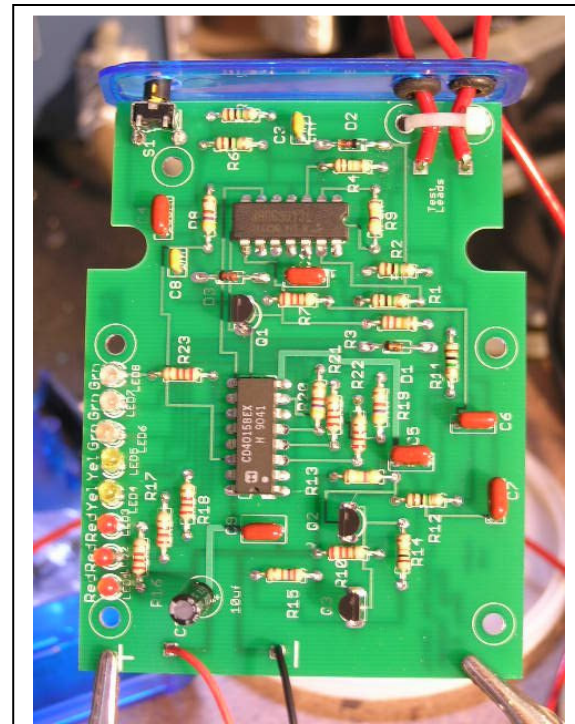
Strip approximately 1/8" (2 mm) from one end of the test leads and tin using rosin core solder. Install the grommets into the enclosure end panel as shown in the picture. Then push the test leads through the grommets. The outside of the panel is the finished side. Yes, the leads fit tightly in the grommets, they are supposed to.

Then solder the test leads to the pc board and secure them with the tie wrap. Leave enough slack for the leads to clear around the pc board holes for the enclosure bosses.



Strip approximately 1/4" (4 mm) from the other end of the test leads, do not tin them. Push alligator clip insulators onto the leads first and then push the lead end into the center hole of the alligator clips as shown in the picture.

Then solder the lead to the clip, trimming it so that the insulator can be slid over the clip. Use rosin core solder to make the soldering easier.



Finished pcb assembly

Battery connector

When all the components are on the board, solder the battery snap connector to the battery pads on the PC board - red to "+" and black to "-".

Final Assembly

The pc board sits snugly in the bottom enclosure. Fasten the board into place using the five self-tapping screws.

Remove the battery compartment door from the bottom of the enclosure and feed the battery leads through the opening and as shown in the picture.



Initial checks

Connect a 9 volt battery to the battery connector and press the button switch once. One or two of the red LEDs should be flickering, that is the power on signal. If the leads are wrapped around each other more LED's will flicker. Press the button again to turn it off.



Test inductor

Wrap the enameled wire supplied into the center holes of the ferrite core supplied in the bag labeled “Test” over and over tightly to form a test coil as shown in the picture. Strip the enamel insulation off the ends of the wires for good contact to the copper wire. Heating the enamel over an open flame will make it easier to strip by scraping.

Connect the ring tester clips to the two wires of your test inductor. All LEDs should be on solidly.

You are done!

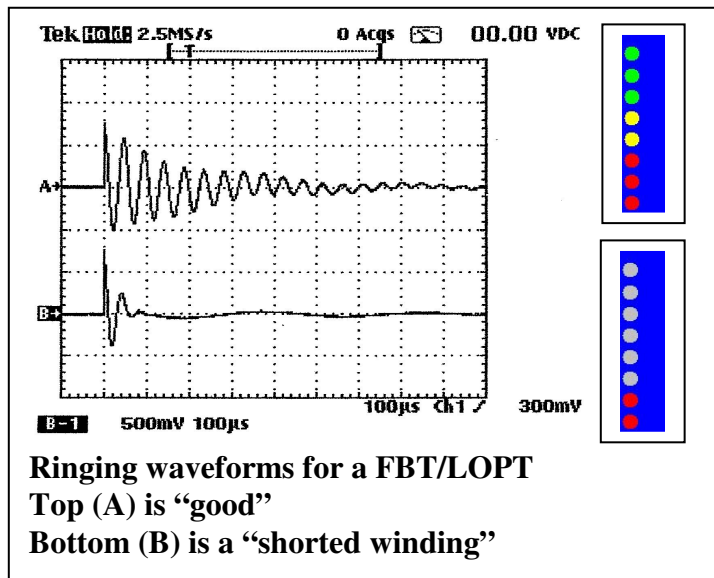
That's it! Install the enclosure top and secure it with the four self tapping screws. Push the battery into its compartment and install the battery compartment door. Then put the label on the front and start testing inductive components!

How does a ring tester work?

The components in many circuits including display drivers, SMPS and tuning circuits contain low loss (high Q) resonant circuits. The testing technique used in this design is based on the fact that many faults in magnetic components result in increased loss = reduced Q.

Ring testing gets its name from the fact that a when fast voltage pulse is applied to a high Q circuit the tuned nature of the circuit will produce a decaying AC voltage of several cycles. More cycles, or “rings”, means higher Q. Few or no cycles indicates a problem in that component, a shorted winding or some other malady. This tester provides a quick and easy way to track down such problems.

Consider this set of waveforms from a flyback transformer, aka, LOPT.



Waveform A shows the ring response to this tester's pulse for a good FBT/LOPT. Note several rings in a decaying fashion. This tester will count the rings that exceed its threshold and display them as lit LEDs as shown in the simulation to the right of waveform A.

Waveform B is the response from the same FBT/LOPT with a shorted diode. The tester will show only one or two red LEDs lit (solidly as opposed to the blinking power on indication) as show in the simulation to the right of waveform B.

A short anywhere in the circuit, such as the HOT, will show no rings at all.

Different FBTs will exhibit a different ring response. Some will light all of the LEDs as shown above and others, will perfectly good, will light only five or six LEDs. It is wise to check a known good component for comparison before deciding good/bad.

High voltage failures that occur only with power on may not be detected by this low voltage ring tester. Because this unit uses pulses of 600 millivolts or less it will not detect those failures. However the low voltage permits many in-circuit tests so making a happy compromise.

While much of our discussion is directed at FBT/LOPT devices the ring tester is not limited to them. It will give a rough but useful indication of good/no good for many types of Hi-Q (low loss) inductive components.