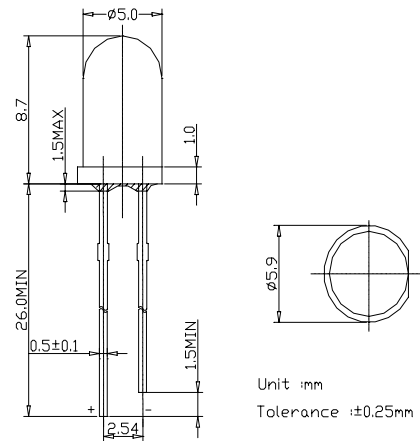


Features

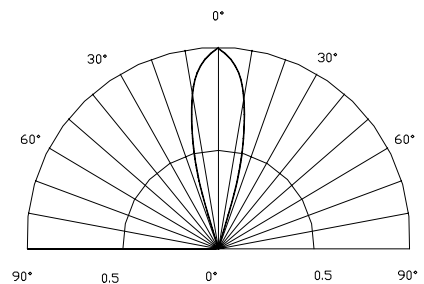
- High Luminous Output
- Red/Pure Green/Blue Flash LED
- Superior Weather-resistance
- Water Clear Type

Applications

- Toys
- Games
- Audio

Outline Dimension

Absolute Maximum Rating (Ta=25)

Item	Symbol	Value	Unit
Oscillator Frequency	Fled	0.8	Hz
Operating Temperature	Topr	-0 ~ +60	
Storage Temperature	Tstg	-40 ~ +100	
Lead Soldering Temperature	Tsol	260 /3sec	-

Directivity


*Pulse width Max.10ms Duty ratio max 1/10

Electrical -Optical Characteristics (Ta=25)

Item	Symbol	Condition	Min.	Typ.	Max.	Unit
Operating Voltage	Vdd	-	4.5	5.0	6.0	V
Operating Current	Iop	-	-	10	40	mA
Quiescent Current	Isb	-	-	1	5	uA
Driving Current	Iol	-	-	25	-	mA
Domi. Wavelength	λ_D (Red)	$I_F=20mA$	635	640	645	nm
	λ_D (Green)	$I_F=20mA$	520	525	530	nm
	λ_D (Blue)	$I_F=20mA$	465	470	475	nm
Luminous Intensity	Iv(Red)	$I_F=20mA$	1560	2180	3000	mcd
	Iv(Green)	$I_F=20mA$	4200	5800	7000	mcd
	Iv(Blue)	$I_F=20mA$	2180	3000	4200	mcd
50% Power Angle	$2\theta_{1/2}$	$I_F=20mA$	-	30	-	deg