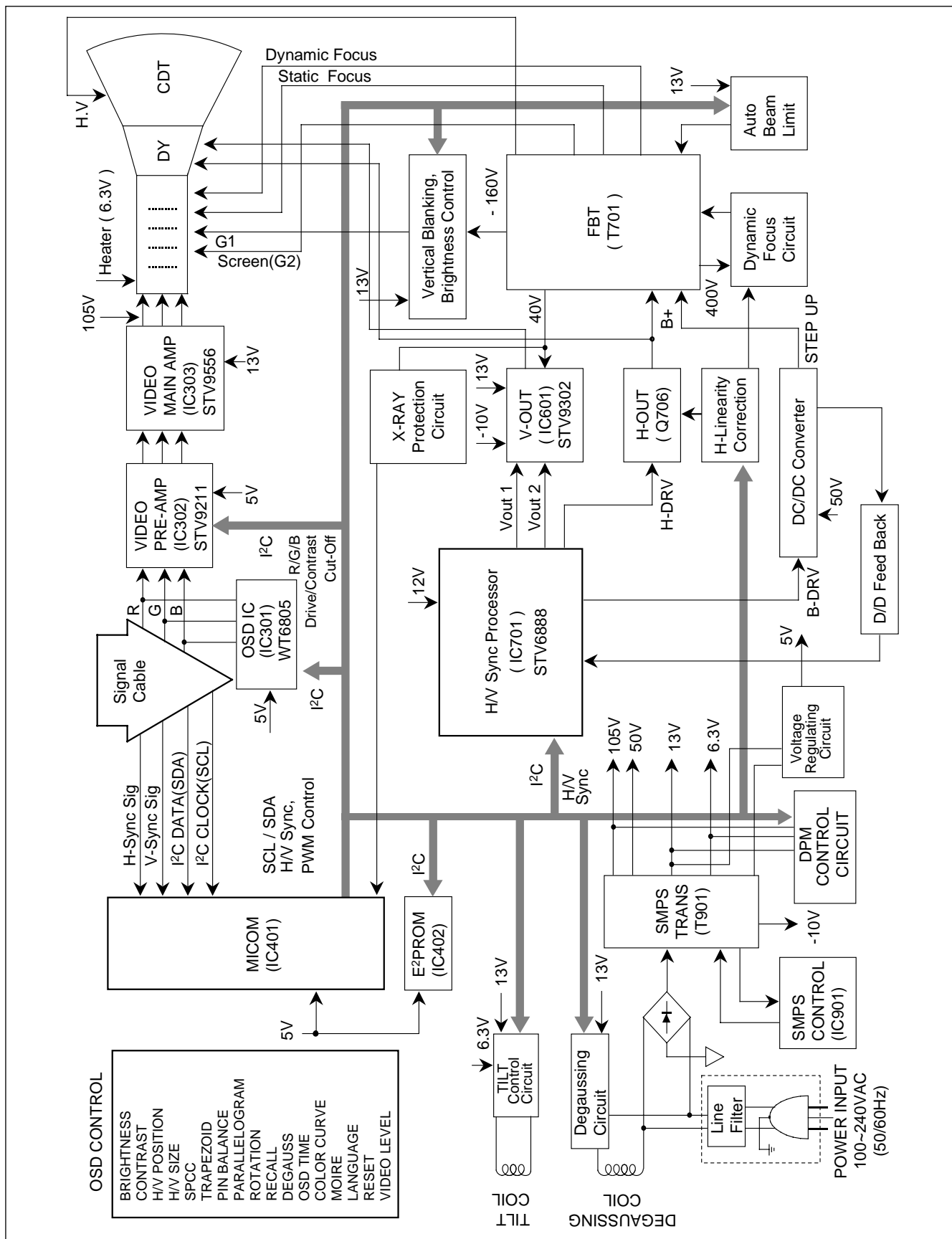
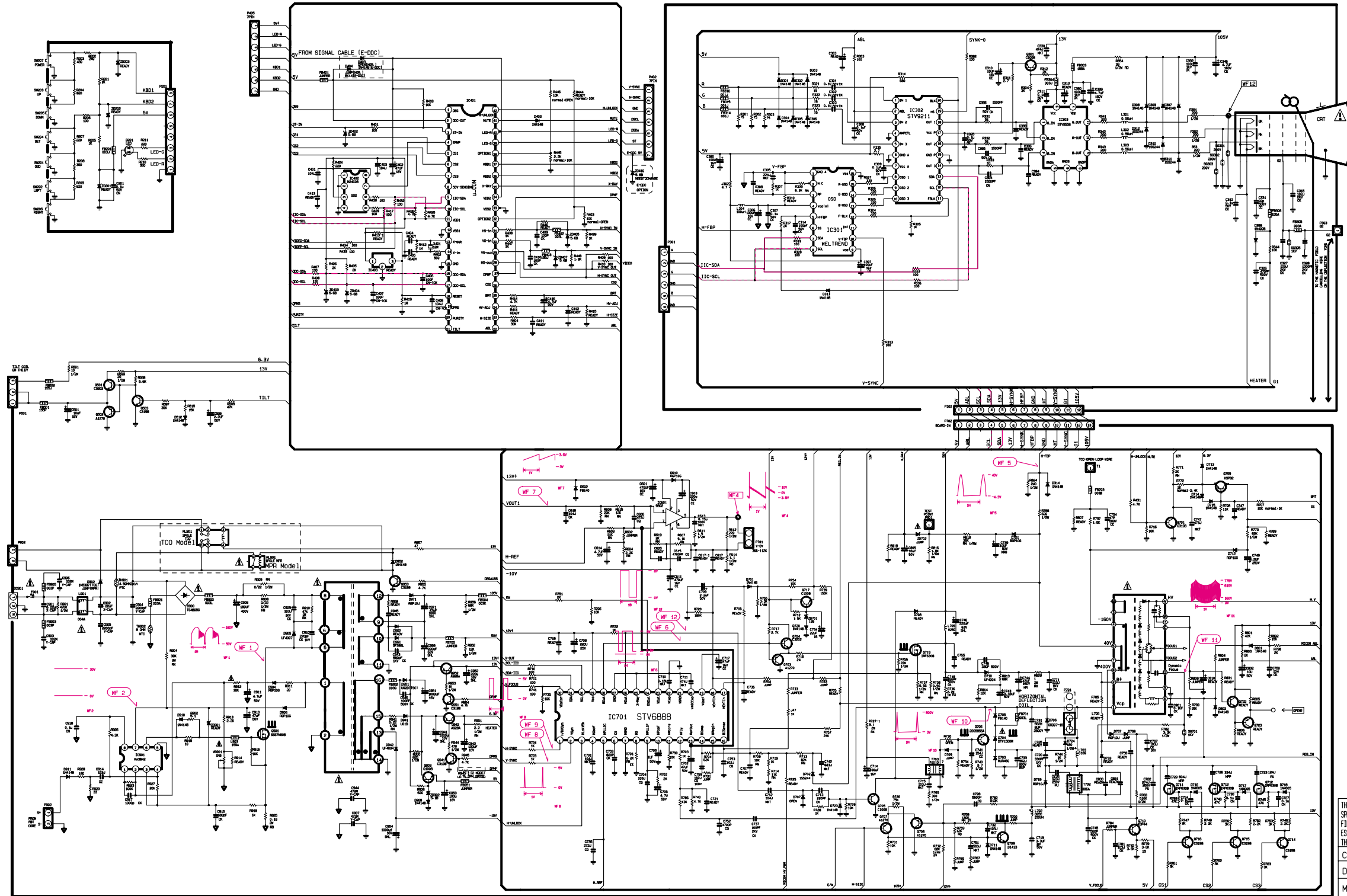


BLOCK DIAGRAM



SCHEMATIC DIAGRAM

----- DDC-SDA IIC-SDA
 ----- DDC-SCL IIC-SCL

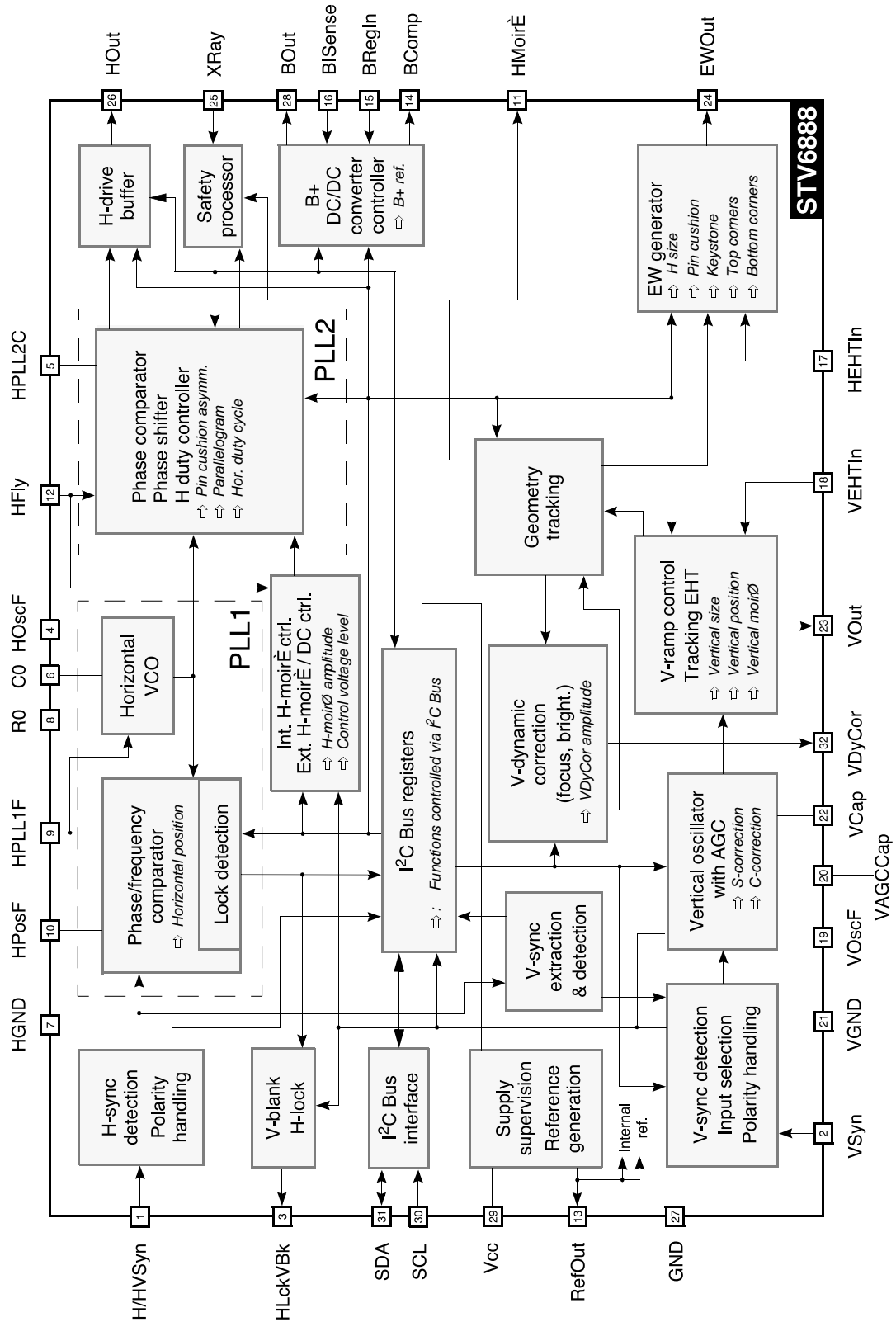


WAVE FORM CONDITION 1: 110V
 2: 60KHz / 75Hz

THE SYMBOL MARK OF THIS SCHEMATIC DIAGRAM INCORPORATES SPECIAL FEATURES IMPORTANT FOR PROTECTION FROM X-RADIATION, FILM AND ELECTRICAL SHOCK HAZARDS. WHEN SERVICING IT IS ESSENTIAL THAT ONLY MANUFACTURER SPECIFIED PARTS BE USED FOR THE CRITICAL COMPONENTS IN THE SYMBOL MARK OF THE SCHEMATIC.

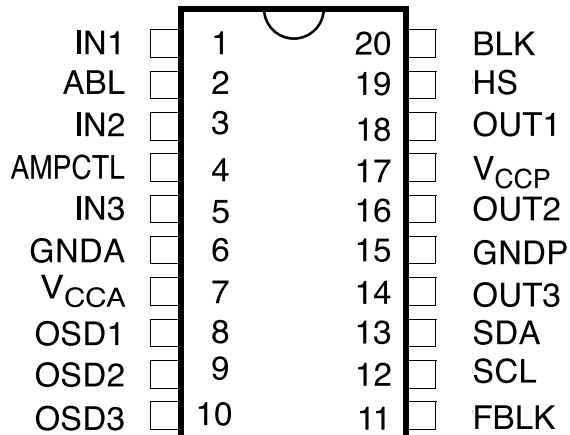
DATE	2003-01-21	REV	01
MODEL	T710BH H.B	Sheet	1 / 1 Page

Block Diagram



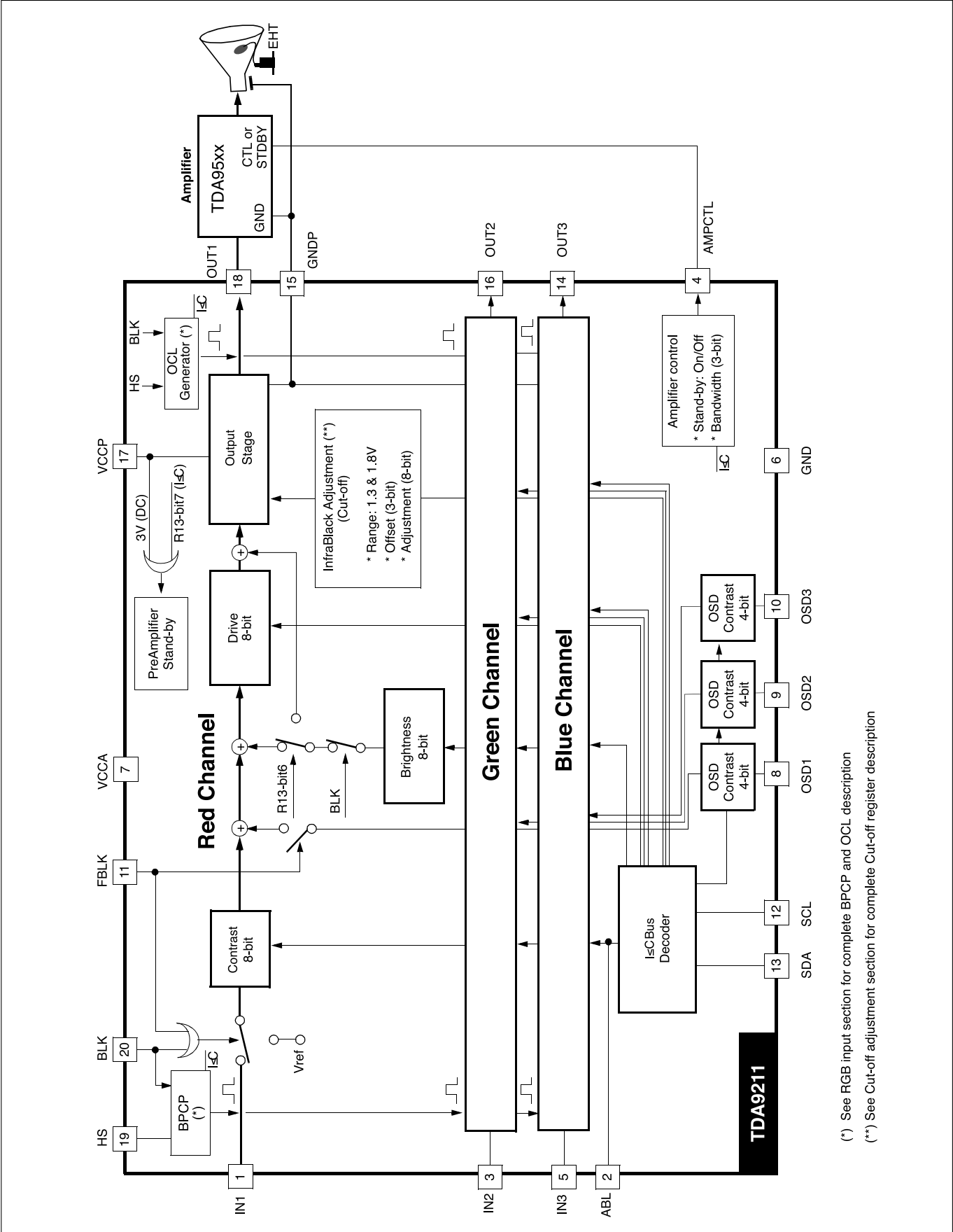
STV9211

Pin Configuration



Pin Description

Pin number	symbol	description
1	IN1	Video input (channel 1, red)
2	ABL	ABL input
3	IN2	Video input (channel 2, green)
4	AMPCTL	Amplifier control (bandwidth and stand-by). Only applicable with amplifiers with the CTL or STDBY pins. To be connected to ground if not used.
5	IN3	Video input (channel 3, blue)
6	GNDA	Analog ground
7	V _{CCA}	Analog supply (5V)
8	OSD1	OSD input (channel 1, red)
9	OSD2	OSD input (channel 2, green)
10	OSD3	OSD input (channel 3, blue)
11	FBLK	Fast blanking
12	SCL	SCL
13	SDA	SDA
14	OUT3	Video output (channel 3, blue)
15	GNDA	Power ground
16	OUT2	Video output (channel 2, green)
17	V _{CCP}	Output stage supply (5 V to 8 V)
18	OUT1	Video output (channel 1, red)
19	HS	Horizontal synchro or BPCP pulse
20	BLK	Blanking input

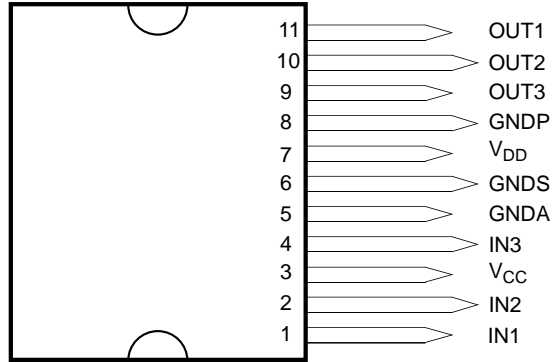


(*) See RGB input section for complete BPCP and OCL description

(**) See Cut-off adjustment section for complete Cut-off register description

STV9556

Pin Configuration



BLOCK DIAGRAM

