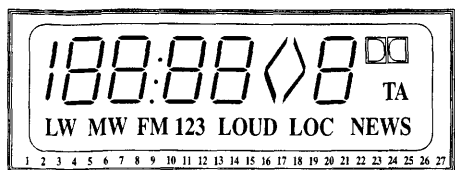
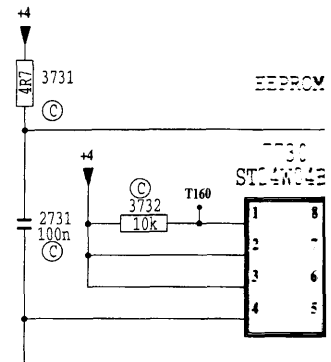
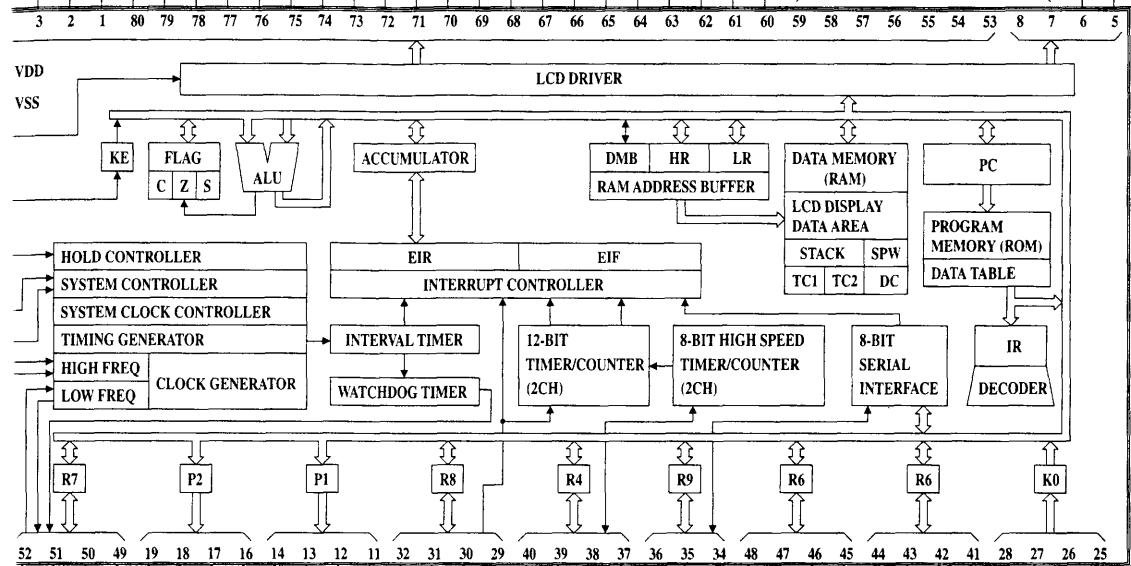


7 8 9 10 11 12 13 14 15 16

1750  
LPH6353

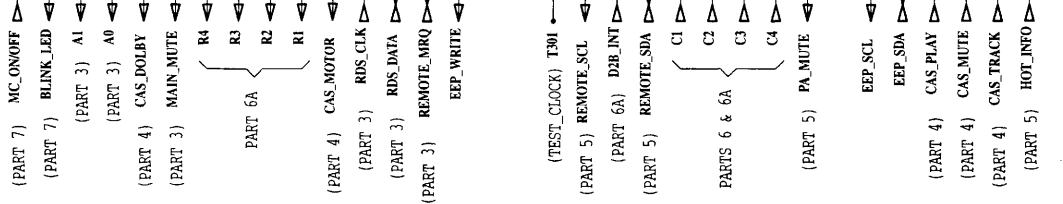
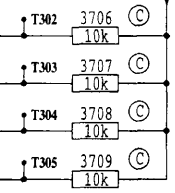
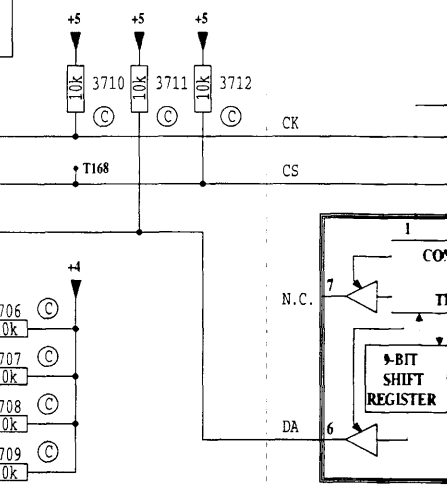
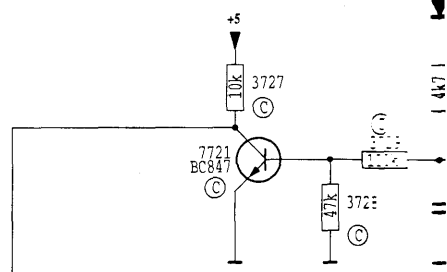


7710  
TMP47C1620  
N.C.

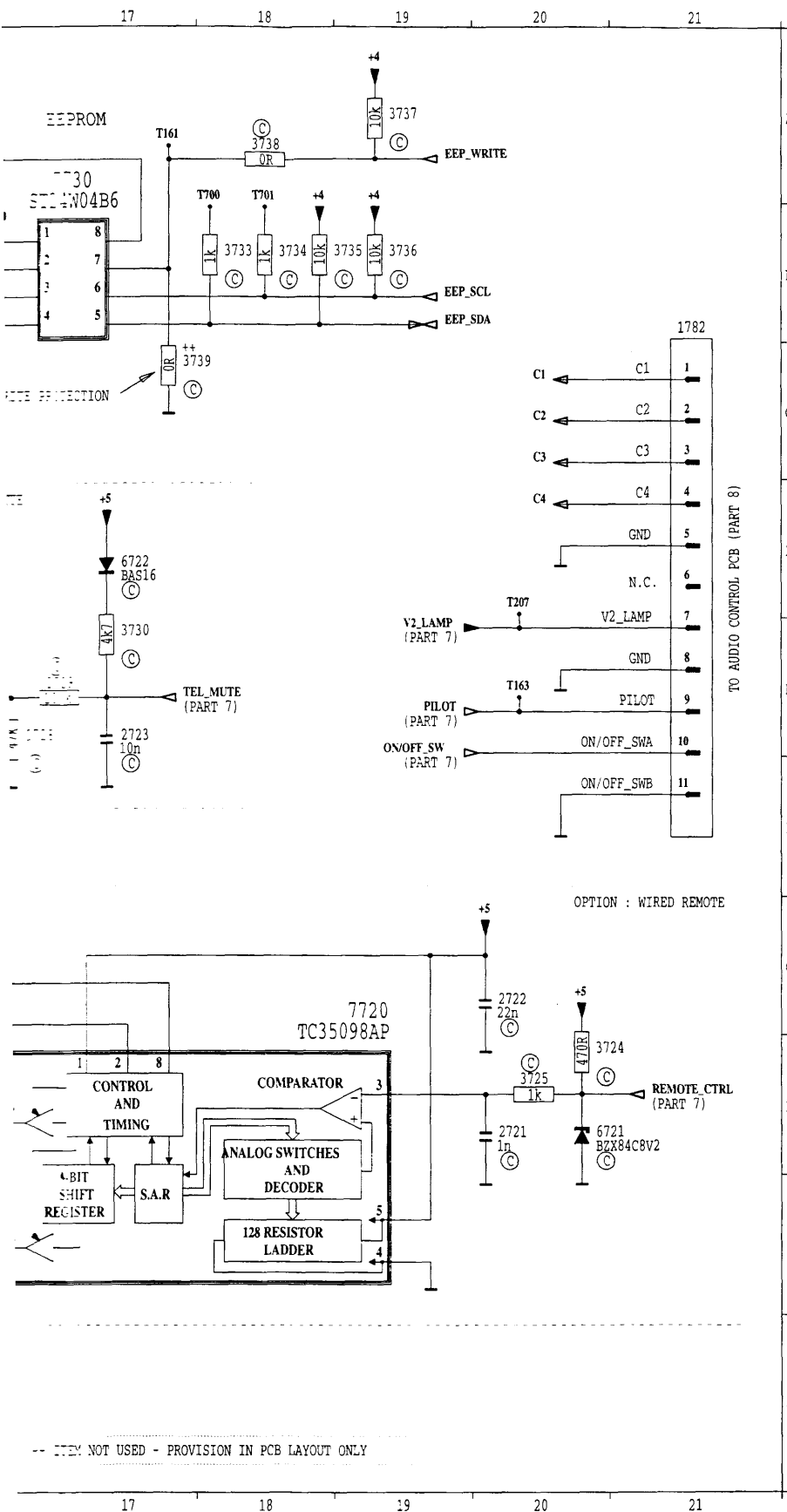


INSERT IN CASE OF NO WRITE PROTECTION

OPTION : TELEPHONE MUTE



- |                    |                      |                      |                      |
|--------------------|----------------------|----------------------|----------------------|
| AS_MUTE ..... J13  | EEP_WRITE ..... A19  | PILOT ..... E19      | REMOTE_SCL ..... J11 |
| AS_PLAY ..... J13  | EEP_WRITE ..... J10  | R1 ..... J9          | REMOTE_SDA ..... J11 |
| AS_TRACK ..... J13 | HOLD ..... D5        | R2 ..... J9          | RESET ..... D5       |
| 2B_INT ..... J11   | HOT_INFO ..... J13   | R3 ..... J8          | SCL ..... I1         |
| EP_SCL ..... B19   | MAN_MUTE ..... J8    | R4 ..... J8          | SDA ..... I1         |
| EP_SCL ..... J13   | MC_ON/OFF ..... A7   | RDS_CLK ..... J9     | T163 ..... E20       |
| EP_SDA ..... B19   | ONN/OFF_SW ..... F19 | RDS_DATA ..... J9    | T157 ..... I3        |
| EP_SDA ..... J13   | PA_MUTE ..... J12    | REMOTE_MQR ..... J10 | T158 ..... I3        |



1711  
1712  
1713  
1750  
1751  
1752  
1782  
2703  
2704  
2705  
2706  
2707  
2721  
2722  
2723  
2731  
2763  
2764  
3700  
3703  
3704  
3705  
3706  
3707  
3708  
3709  
3710  
3711  
3712  
3713  
3714  
3724  
3725  
3727  
3728  
3729  
3730  
3731  
3732  
3733  
3734  
3735  
3736  
3737  
3738  
3739  
3771  
3772  
3773  
3774  
3775  
3776  
3777  
3778  
3779  
3780  
3781  
3782  
3783  
3784  
3785  
3786  
3787  
3788  
3789  
3790  
3791  
3792  
3793  
3794  
3795  
3796  
3797  
3798  
3799  
3800  
3801  
3802  
3803  
3804  
3805  
3806  
3807  
3808  
3809  
3810  
3811  
3812  
3813  
3814  
3815  
3816  
3817  
3818  
3819  
3820  
3821  
3822  
3823  
3824  
3825  
3826  
3827  
3828  
3829  
3830  
3831  
3832  
3833  
3834  
3835  
3836  
3837  
3838  
3839  
3840  
3841  
3842  
3843  
3844  
3845  
3846  
3847  
3848  
3849  
3850  
3851  
3852  
3853  
3854  
3855  
3856  
3857  
3858  
3859  
3860  
3861  
3862  
3863  
3864  
3865  
3866  
3867  
3868  
3869  
3870  
3871  
3872  
3873  
3874  
3875  
3876  
3877  
3878  
3879  
3880  
3881  
3882  
3883  
3884  
3885  
3886  
3887  
3888  
3889  
3890  
3891  
3892  
3893  
3894  
3895  
3896  
3897  
3898  
3899  
3900  
3901  
3902  
3903  
3904  
3905  
3906  
3907  
3908  
3909  
3910  
3911  
3912  
3913  
3914  
3915  
3916  
3917  
3918  
3919  
3920  
3921  
3922  
3923  
3924  
3925  
3926  
3927  
3928  
3929  
3930  
3931  
3932  
3933  
3934  
3935  
3936  
3937  
3938  
3939  
3940  
3941  
3942  
3943  
3944  
3945  
3946  
3947  
3948  
3949  
3950  
3951  
3952  
3953  
3954  
3955  
3956  
3957  
3958  
3959  
3960  
3961  
3962  
3963  
3964  
3965  
3966  
3967  
3968  
3969  
3970  
3971  
3972  
3973  
3974  
3975  
3976  
3977  
3978  
3979  
3980  
3981  
3982  
3983  
3984  
3985  
3986  
3987  
3988  
3989  
3990  
3991  
3992  
3993  
3994  
3995  
3996  
3997  
3998  
3999  
4000

Voltage measured in FM mode with  
**A4 = 14.4V**  
**A7 = 14.4V**  
 unless otherwise stated.

(OFF) = Power off  
 (ON) = Power on

7760 MSM630  
 (continue.....)

+1	+14.4V	16	GND
+2	+13.8V	17	5V
+3a, +3b	8.5V	18	N.C.
+4	+5V	19	2.5V
+5, +5a, +5b	+5V	20	2.5V
+7	+5V	21	5V
+CDCC	14.4V	22	N.C.
Vref	5V	23	5V
V_LAMP	10V	24	2.3V
		25	2.3V
		26	5V
		27	5V
		28	N.C.
		29	5V
		30	5V
		31	5V
		32	5V

**7721 BC847**

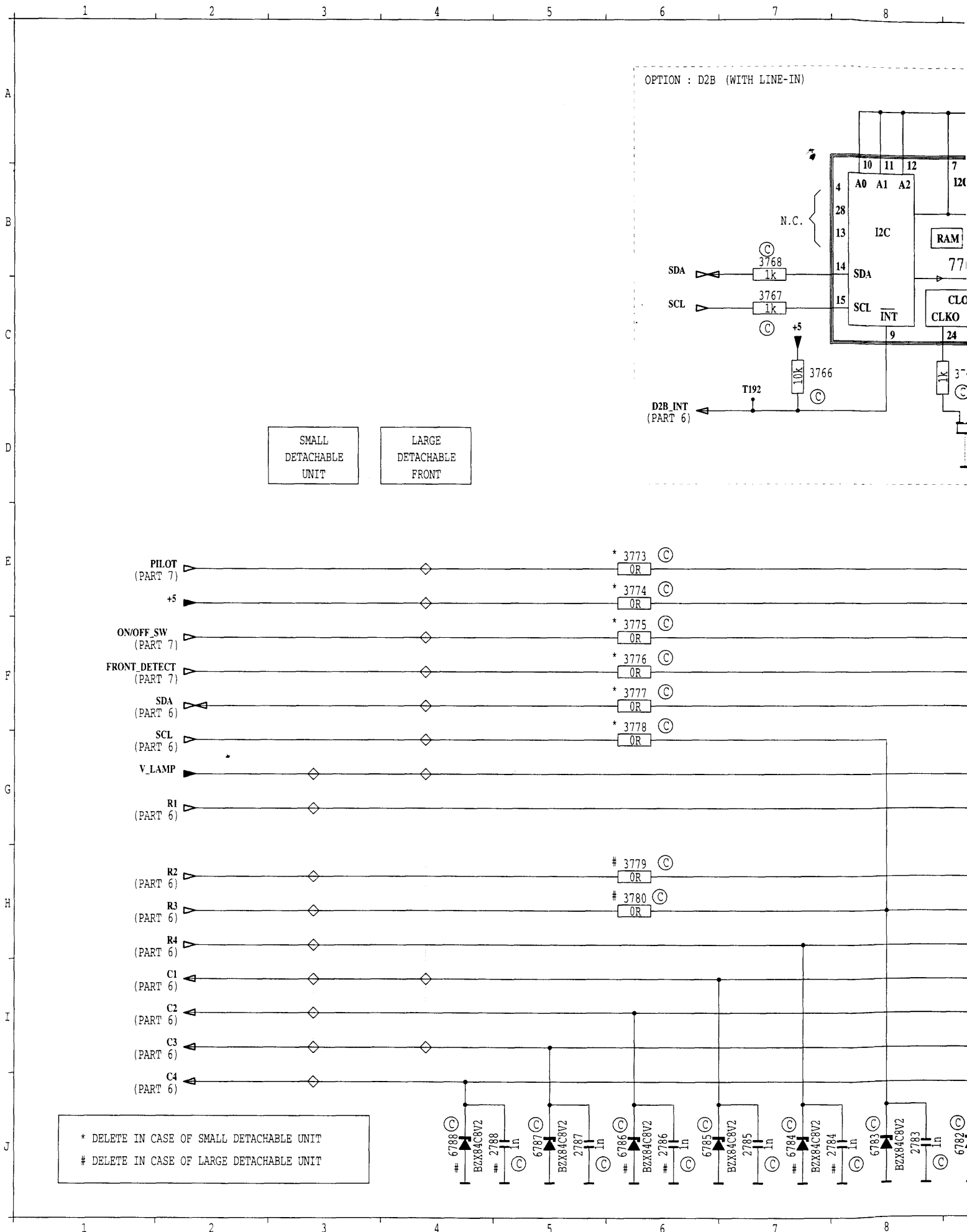
C	0V
B	0.6V
E	0V

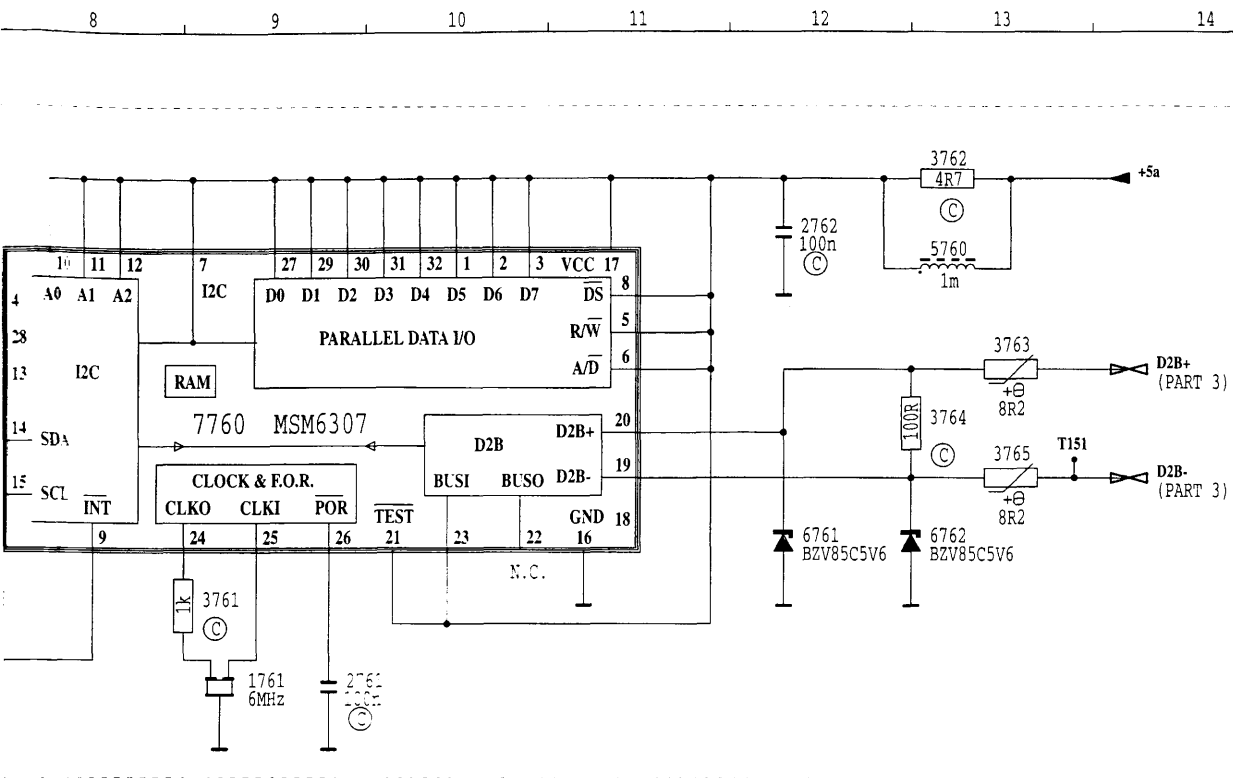
**7760 MSM6307**

1	5V
2	5V
3	5V
4	N.C.
5	5V
6	5V
7	5V
8	5V
9	5V
10	5V
11	5V
12	5V
13	N.C.
14	5V
15	5V

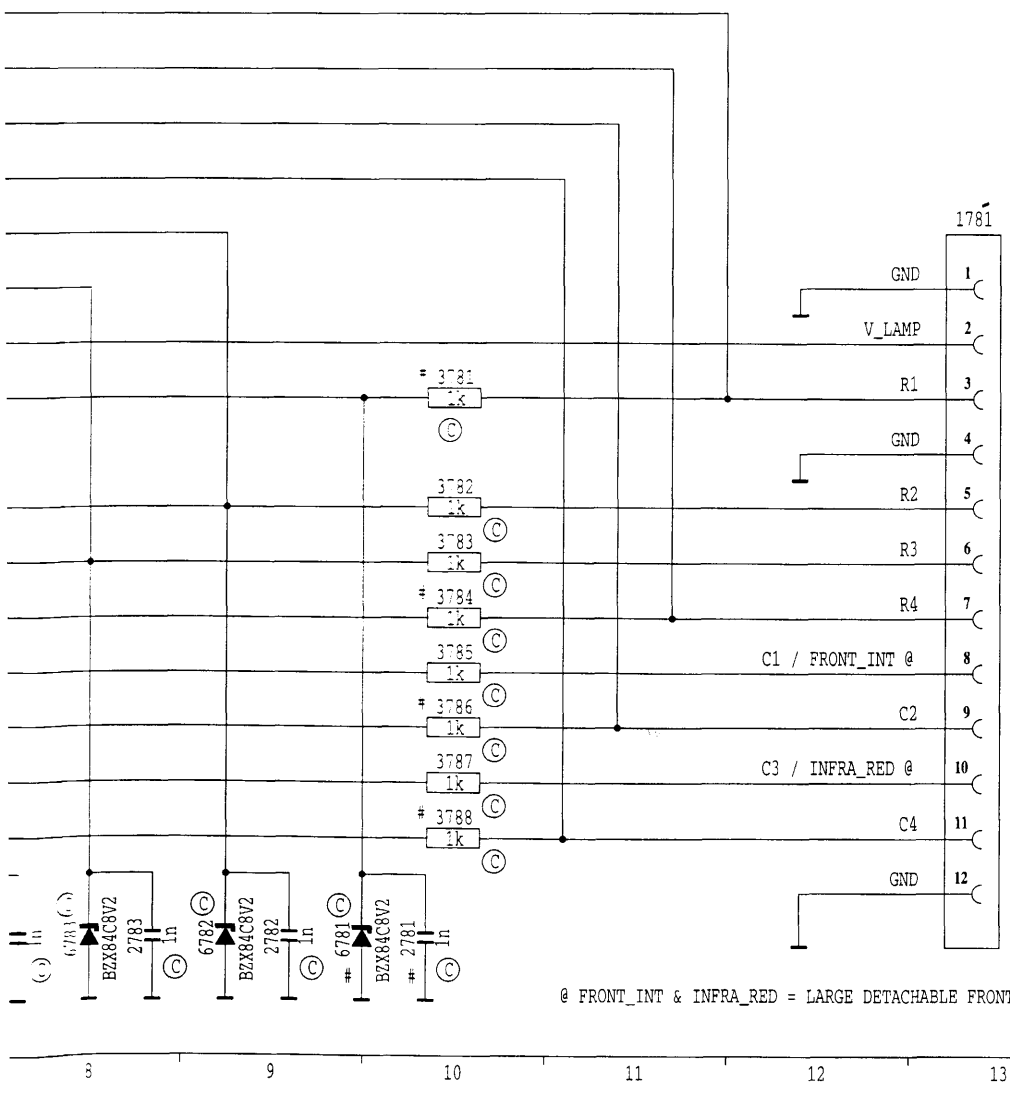
1	T161	A17	T306	D6
1	T168	G15	T700	B18
5	T207	D20	T701	B18
	T301	J10	TEL_MUTE	E17
	T302	I14	TUNER_SCL	J1
10	T303	I14	TUNER_SDA	I1
	T304	I14	V2_LAMP	E19
	T305	I14		

# PART 6A : D2B & DETACHABLE FRONT CONNECTOR (MAIN PCB)





1761 D 9  
 1781 F13  
 2761 D 9  
 2762 A12  
 2781 J10  
 2782 C 9  
 2783 C 9  
 2784 C 9  
 2785 C 9  
 2786 C 9  
 2787 C 9  
 2788 C 9  
 3761 C 9  
 3762 A13  
 3763 B13  
 3764 B13  
 3765 C13  
 3766 C 7  
 3767 C 7  
 3768 C 7  
 3773 F 6  
 3774 F 6  
 3775 F 6  
 3776 F 6  
 3777 F 6  
 3778 F 6  
 3779 F 6  
 3780 H 6  
 3781 G10  
 3782 H10  
 3783 H10  
 3784 H10  
 3785 I10  
 3786 I10  
 3787 I10  
 3788 I10  
 5760 A13  
 6761 C12  
 6762 C12  
 6781 J 9  
 6782 J 9  
 6783 C 9  
 6784 C 9  
 6785 C 9  
 6786 C 9  
 6787 C 9  
 6788 C 9  
 7760 B 9



TO DETACHABLE FRONT PCB

E  
 F  
 G  
 H  
 I  
 J