

# **DK1004 Service Manual**

### **Cautions:**

- High voltage inside player is very dangerous; please make sure that power cord is cut off from power supply before opening the cover when servicing!
- There are many high-voltage components inside player, pay attention to all the warning and instruction marked on the player when serving to prevent electric shock.
- Replace only with the same or equivalent type of components according to the specifications. Do not attempt to change the parameter of the components without permission in case of causing dangers.

## **1. DK1004 Schematic Diagram**

### **Introduction of the Function Achievement**

IC PT2322 for 5.1CH volume and level adjustment, and perform the standby and mute function well

CPU utilizes IC AT89C2051

IC RC4558 (or F4558) to magnify small signals and active LPF

Power IC AFT9843J for L and R Channel power amplification

Power IC TDA8947J for SR, SL, C channel power amplification

SW channel power amplification uses AFT9843J to constitute BTL form

Display state uses LED digital tube, which range from 0~16

All functions are remote controlled

Build in Cyber Logic function

Round transformer; bridge-style and full-wave rectifier circuit

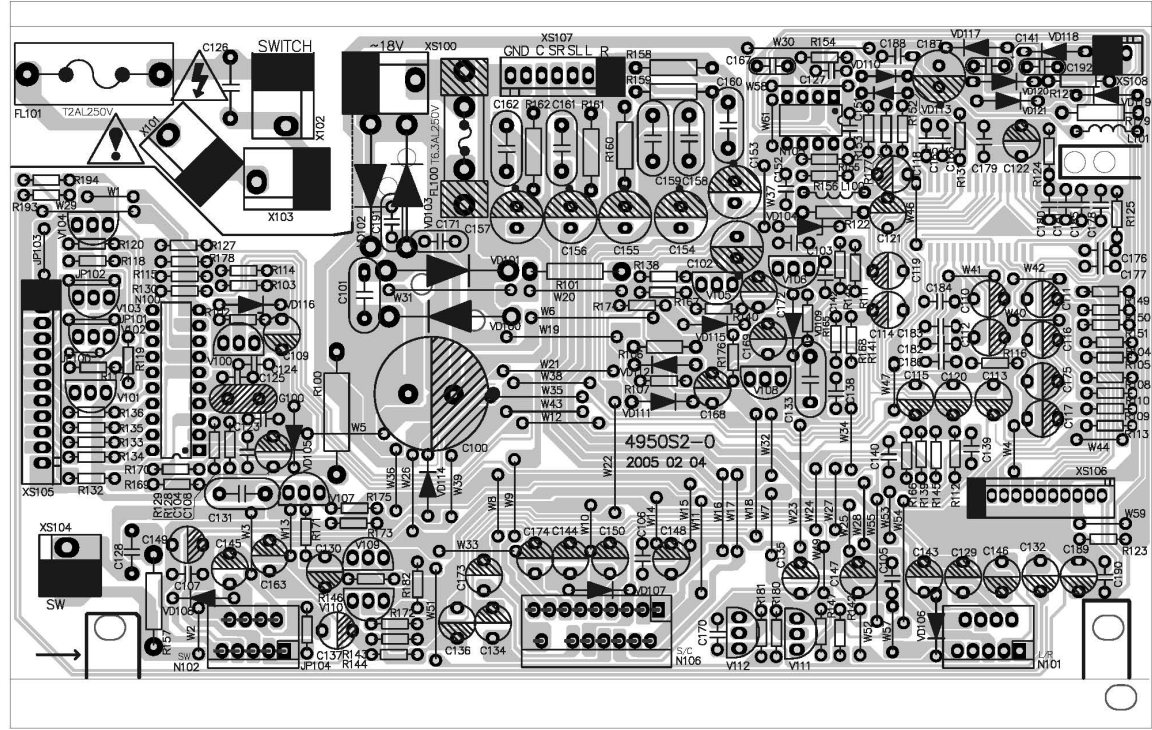
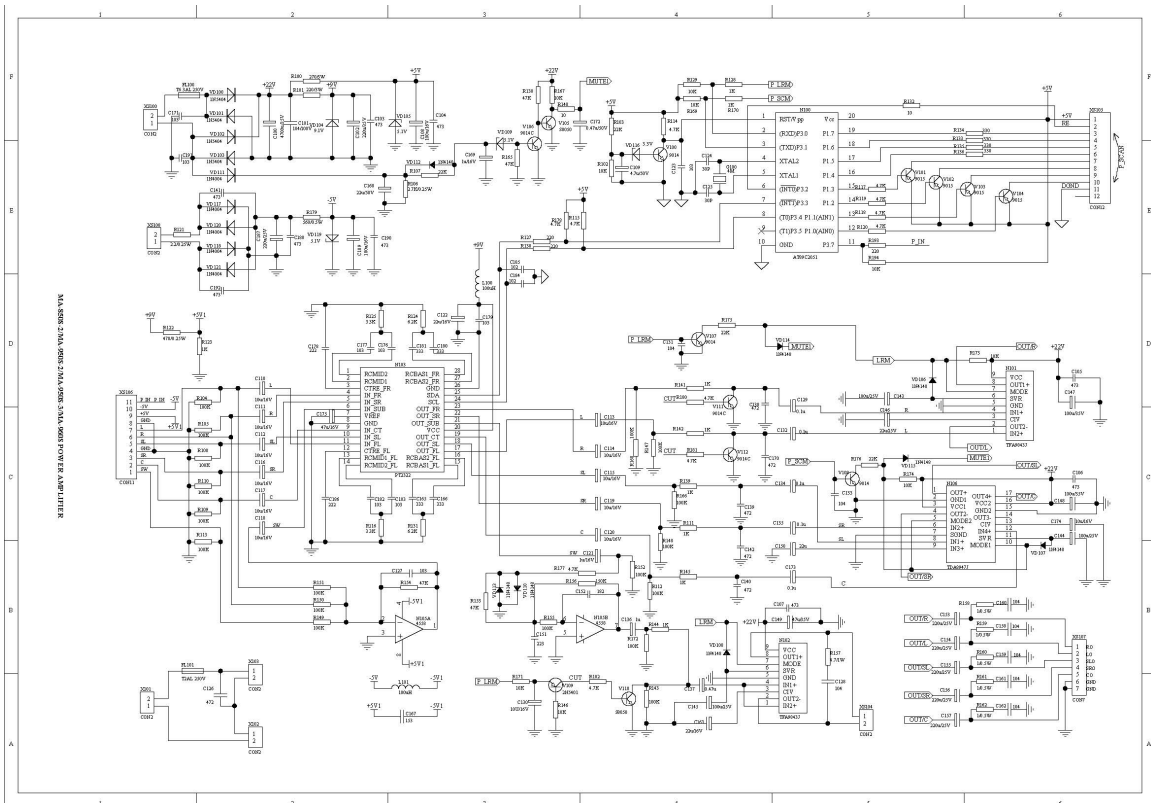
Satellite speaker body and subwoofer speaker body are all MDF wood structure, with PVC rubber attached to the surface

Subwoofer speaker adopts 6.5 inch special bass unit for double magnet and aluminum coil.

Adopt unified flat heat radiator, with uniformly punched rectangle radiating roles above and fit on rear board directly to well radiate

## **2. Detailed Circuit Diagram Specifications:**

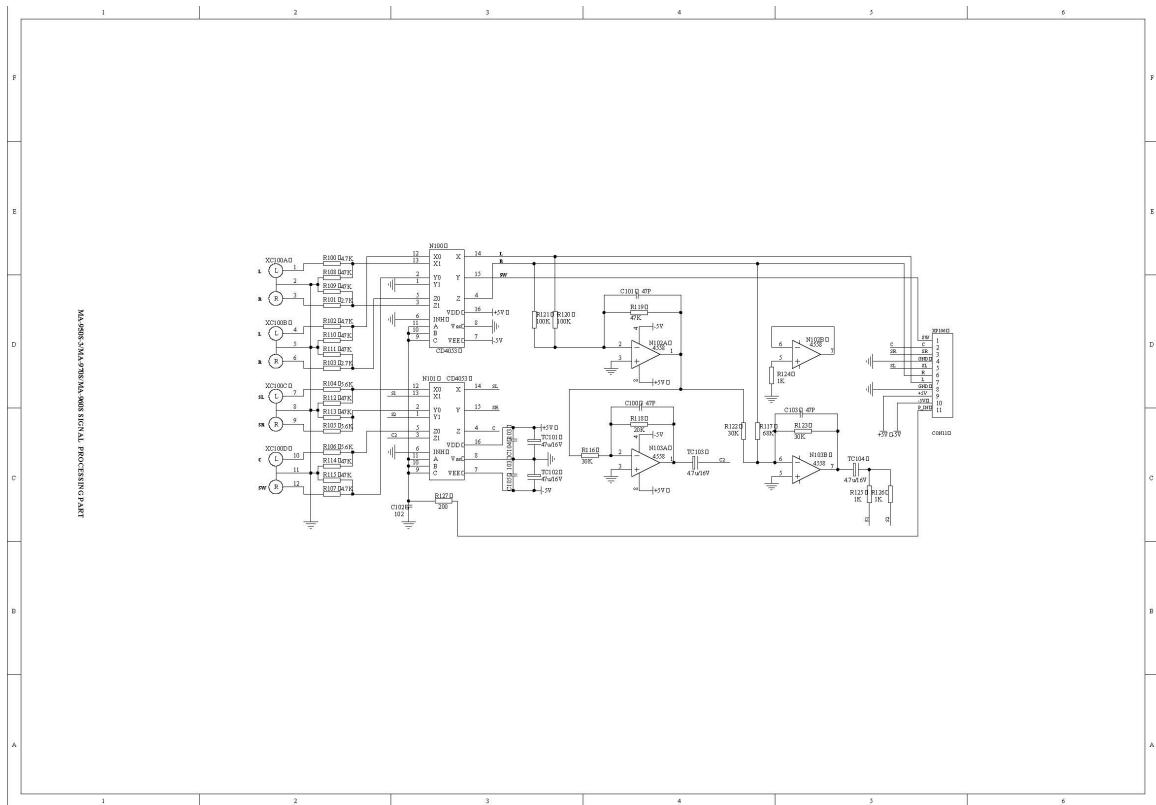
### **1. Power & amplifier board**

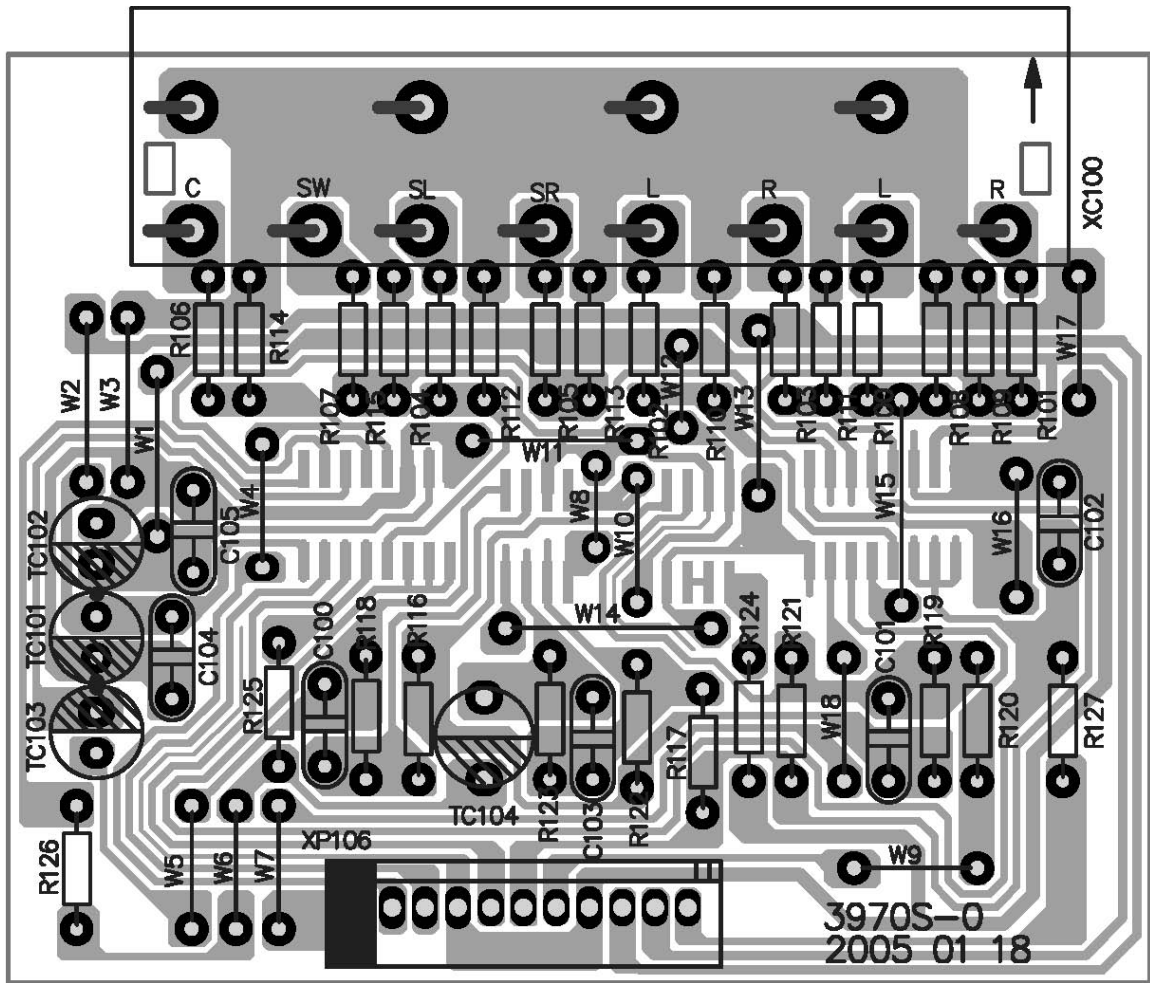


Caution:

As serving power amplifier board, make sure IC is stuck to the big heat radiation board and not crooked when assembling power IC N101, N102, N106. Add splitting (with silicon) between the screw and power IC. When fixing power IC N101, N102, N106 screws, you must add an insulating washer for insulation between screw and power IC. Use a multimeter to examine the insulation. Otherwise, the IC will be damaged by short-circuit.

## 2. Input Board





### 3. Output Board Part



