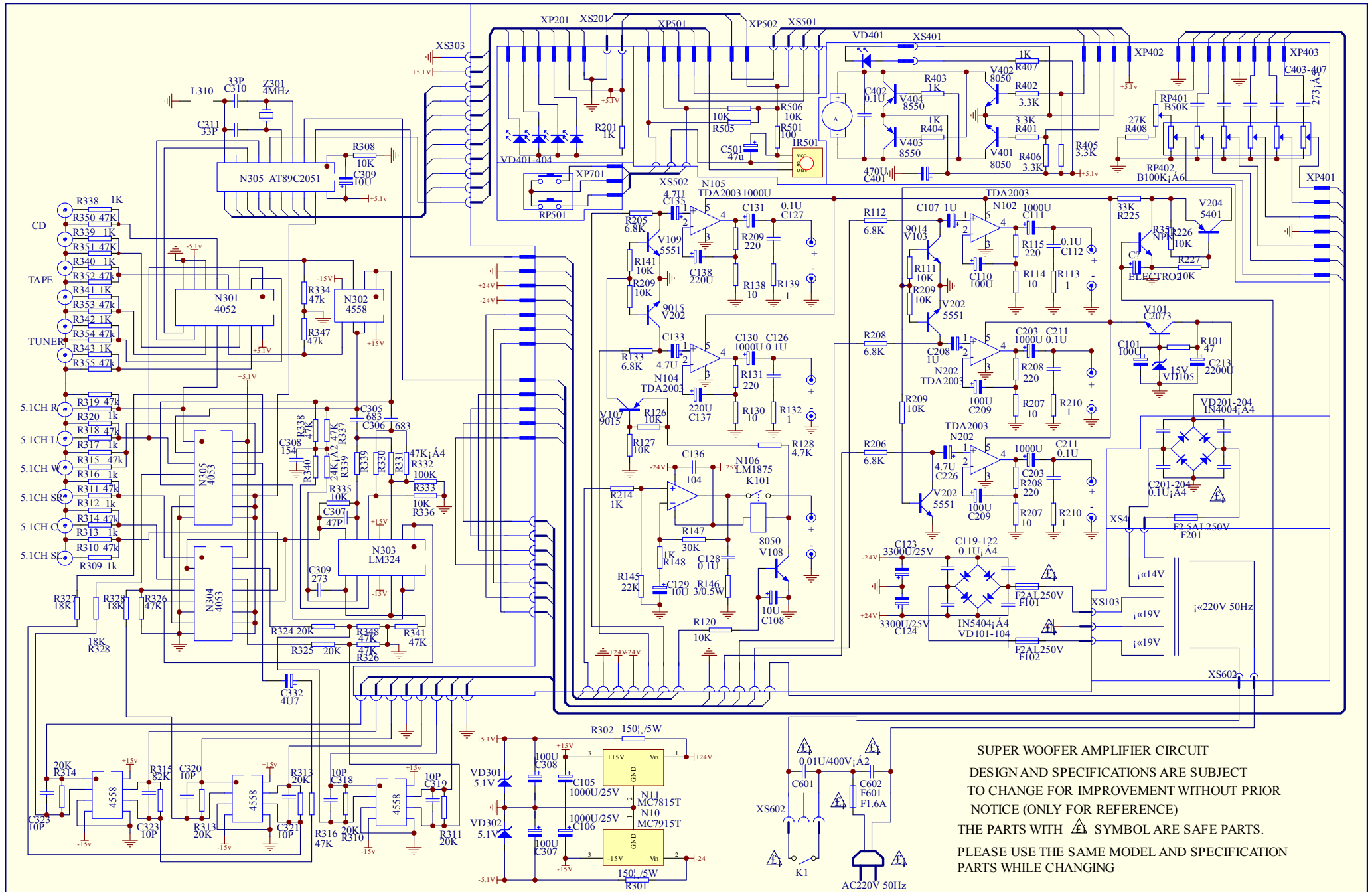


# SVEN HT-420



**SUPER WOOFER AMPLIFIER CIRCUIT**  
 DESIGN AND SPECIFICATIONS ARE SUBJECT  
 TO CHANGE FOR IMPROVEMENT WITHOUT PRIOR  
 NOTICE (ONLY FOR REFERENCE)  
 THE PARTS WITH  $\triangle$  SYMBOL ARE SAFE PARTS.  
 PLEASE USE THE SAME MODEL AND SPECIFICATION  
 PARTS WHILE CHANGING