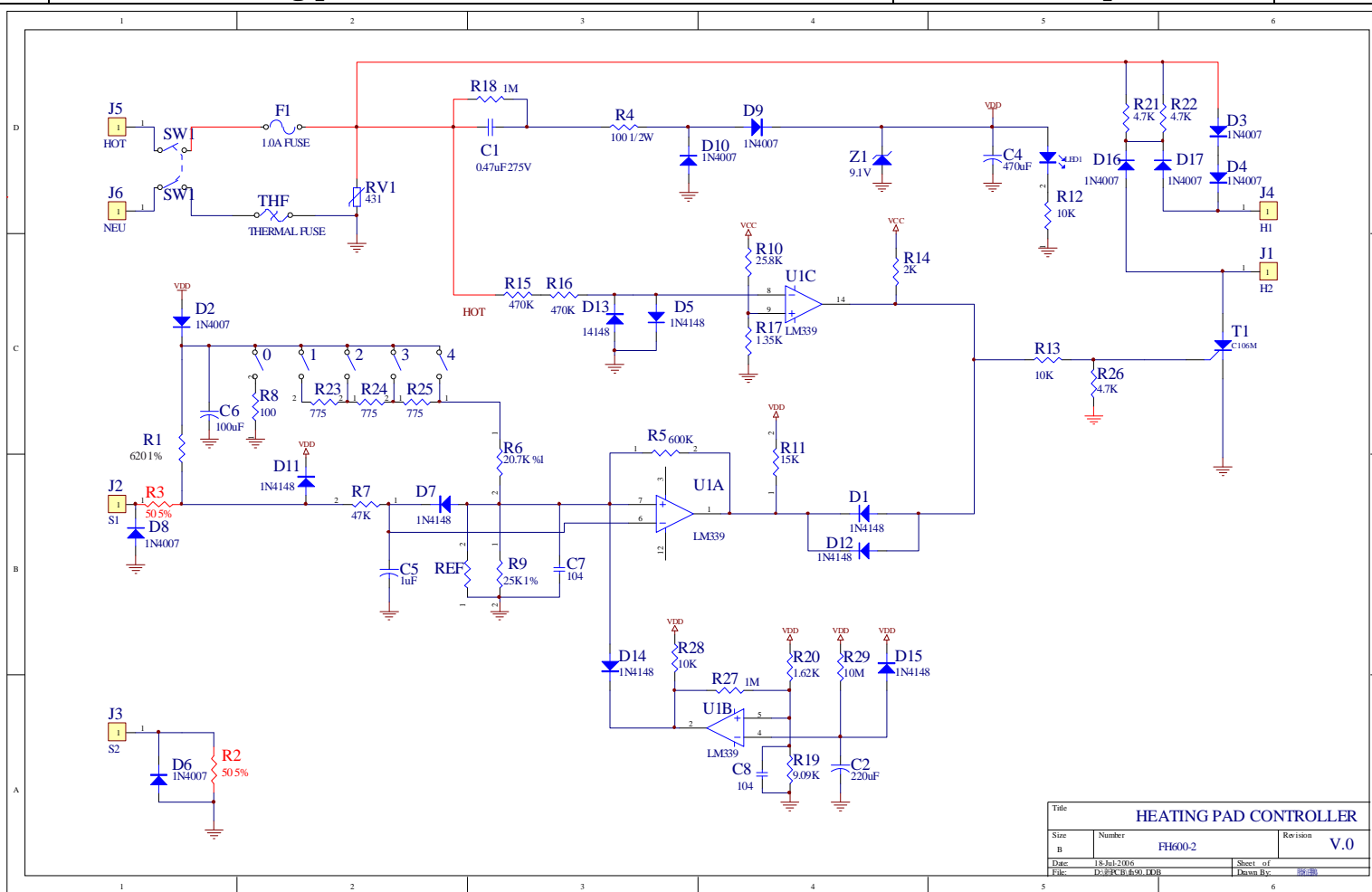


CIRCUIT DIAGRAM

Model name	New FH80	Issue date	2006.07.20
Product name	Electronic Heating pad	Version /Description	01



Title			HEATING PAD CONTROLLER
Size	Number	Revision	
B	FH600-2	V.0	
Date:	18-Jul-2006	Sheet of	
File:	D:\EPC B-600.DDB	Drawn By:	騰正

Approved by	Kevin Fon	Checked by	BOYLE	Drawn by	TENG ZHENGPENG
-------------	-----------	------------	-------	----------	----------------