

JVC

SCHEMATIC DIAGRAMS

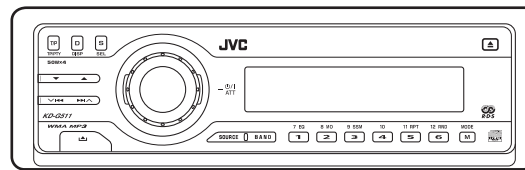
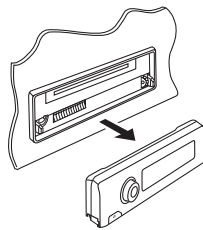
CD RECEIVER

KD-G511

CD-ROM No.SML200502

Area suffix

E ----- Southern Europe
EX ----- Northern Europe
EY ----- Eastern Europe
EU ----- Turkey




MP3 WMA



Contents

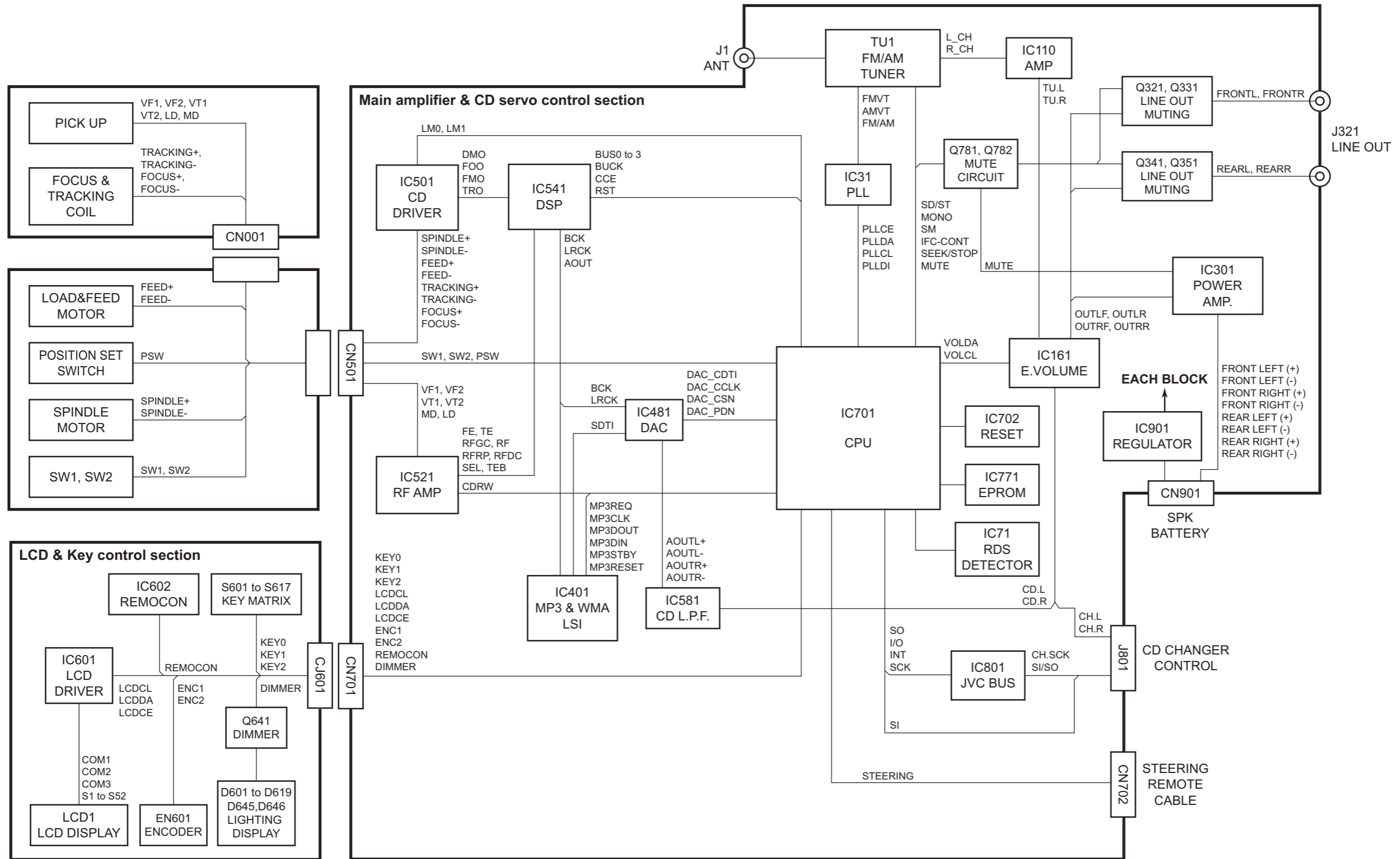
Block diagram	2-1
Standard schematic diagrams	2-2
Printed circuit boards	2-5 to 7

Safety precaution

 **CAUTION** Burrs formed during molding may be left over on some parts of the chassis. Therefore, pay attention to such burrs in the case of performing repair of this system.

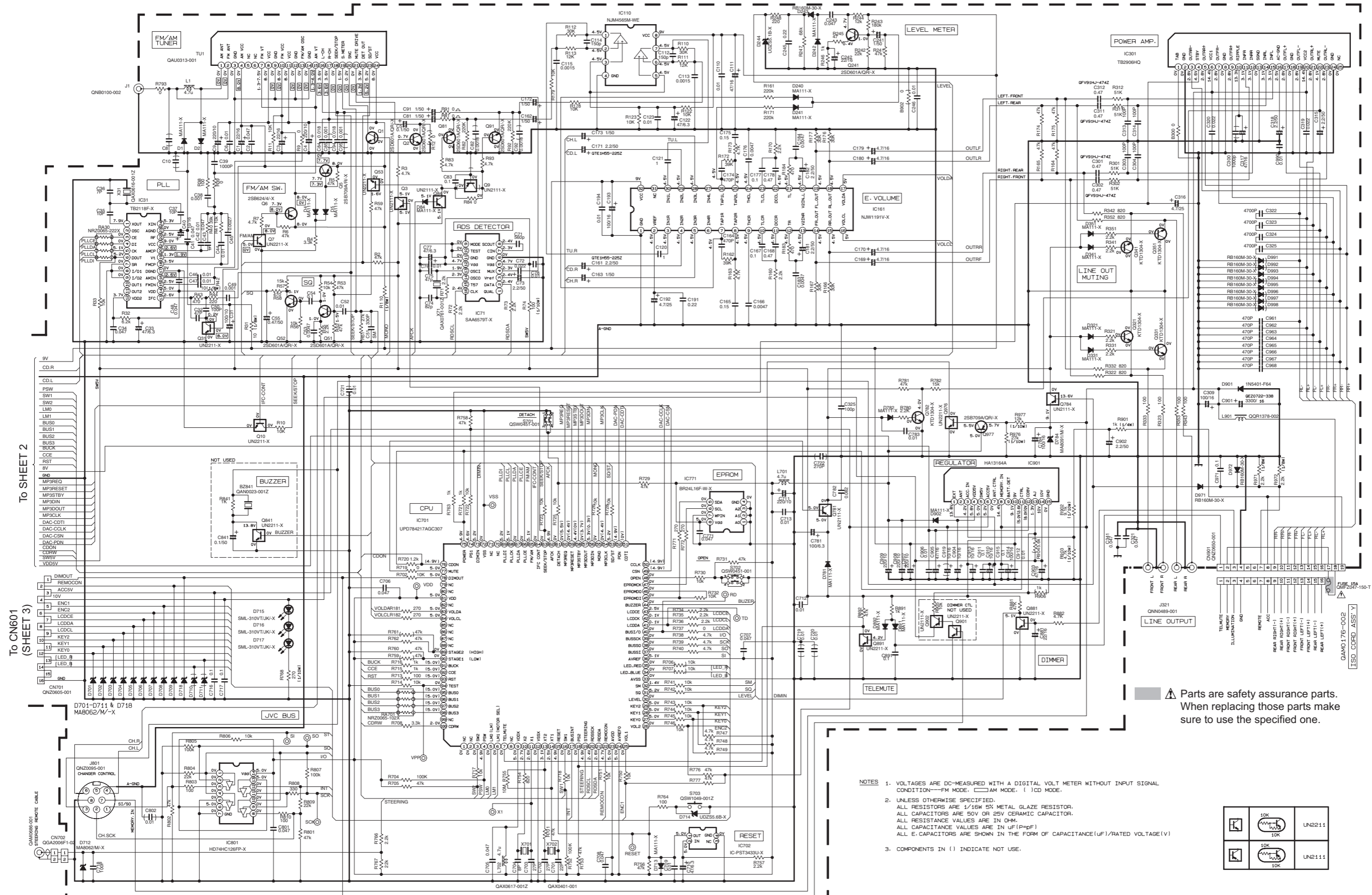
 **CAUTION** Please use enough caution not to see the beam directly or touch it in case of an adjustment or operation check.

Block diagram



Standard schematic diagrams

Main amplifier section



To SHEET 2

To CN601 (SHEET 3)

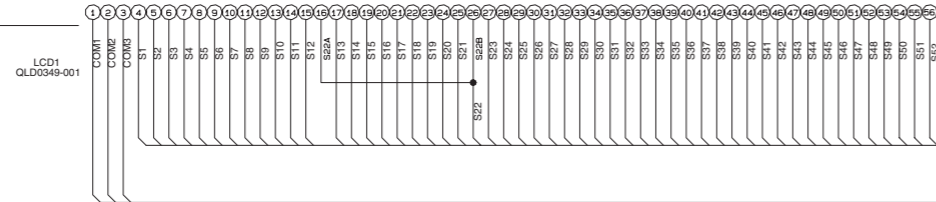
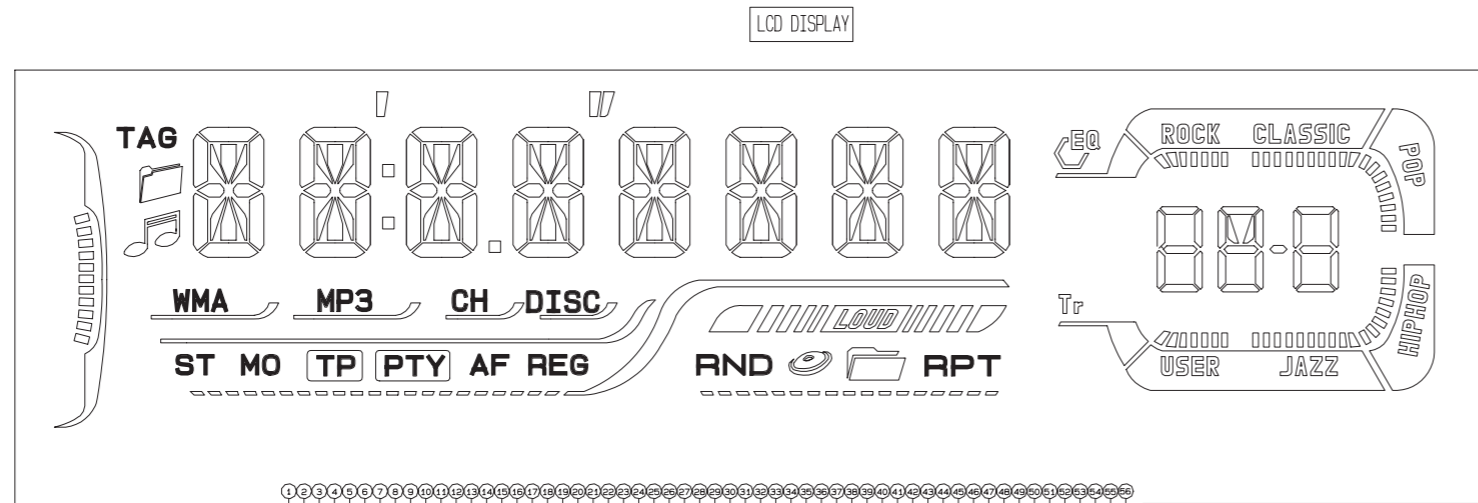
▲ Parts are safety assurance parts.
When replacing those parts make sure to use the specified one.

- NOTES
1. VOLTAGES ARE DC-MEASURED WITH A DIGITAL VOLT METER WITHOUT INPUT SIGNAL CONDITION—FM MODE. () AM MODE. () CD MODE.
 2. UNLESS OTHERWISE SPECIFIED, ALL RESISTORS ARE 1/16W 5% METAL GLAZE RESISTOR. ALL CAPACITORS ARE 50V OR 25V CERAMIC CAPACITOR. ALL RESISTANCE VALUES ARE IN OHM. ALL CAPACITANCE VALUES ARE IN uF(P=PF) ALL E-CAPACITORS ARE SHOWN IN THE FORM OF CAPACITANCE(uF)/RATED VOLTAGE(V)
 3. COMPONENTS IN () INDICATE NOT USE.

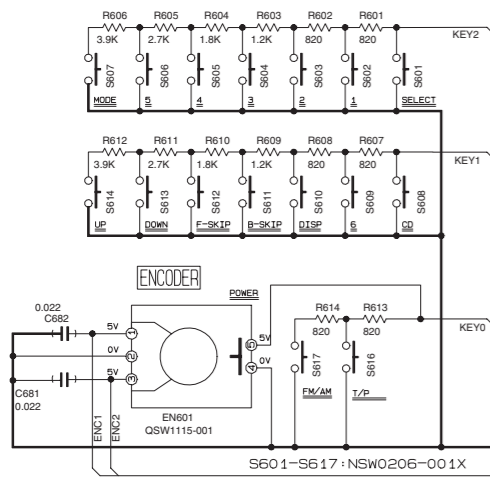
	10K	UN2211
	10K	UN2211
	10K	UN2211
	10K	UN2211

■ LCD & Key control section

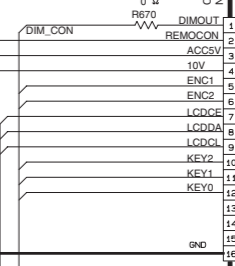
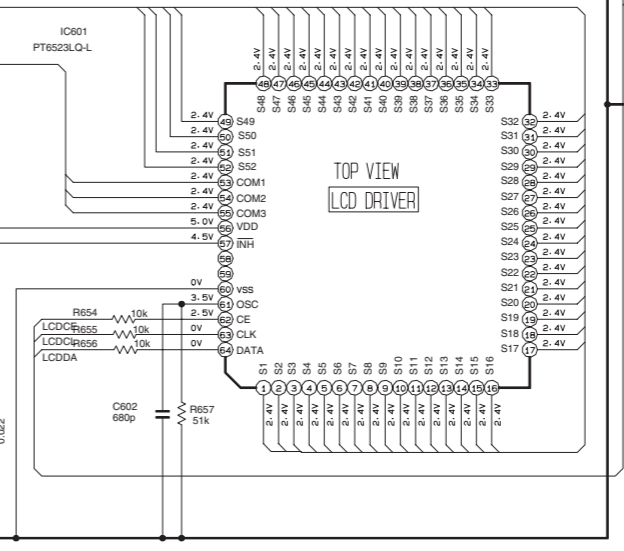
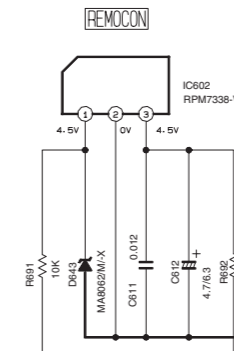
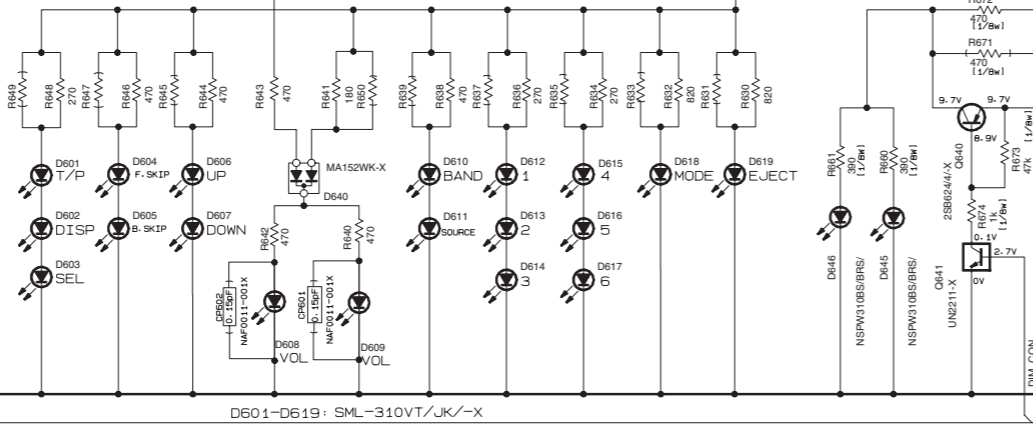
SW PWB: GEB10134A



KEY MATRIX



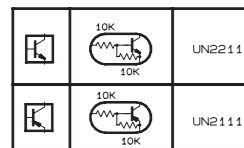
LIGHTING DISPLAY



To CN701 (SHEET 1)

NOTES

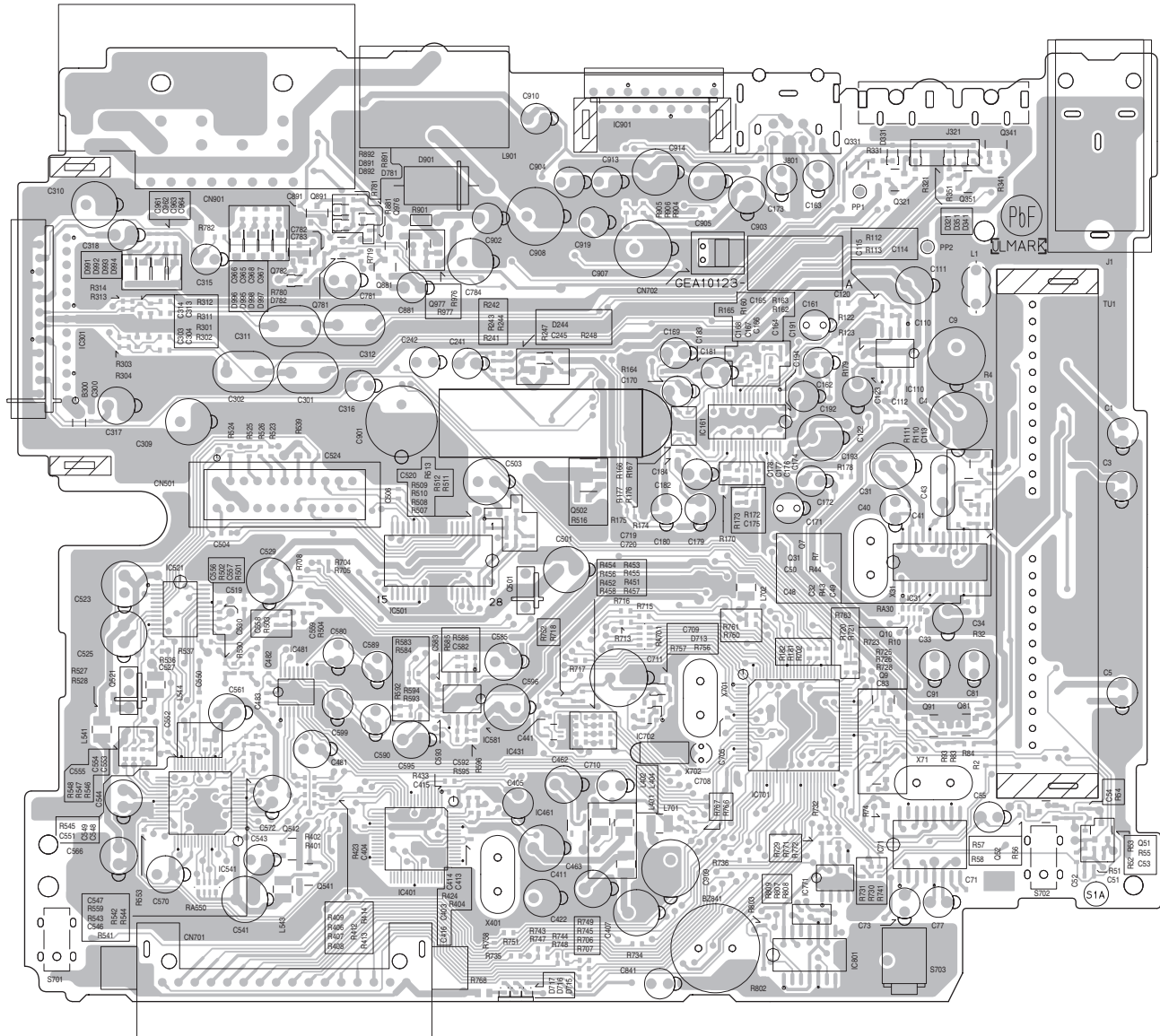
- VOLTAGES ARE DC-MEASURED WITH A DIGITAL VOLT METER WITHOUT INPUT SIGNAL.
- UNLESS OTHERWISE SPECIFIED, ALL RESISTORS ARE 1/16W METAL GLAZE RESISTORS. ALL CAPACITORS ARE 50V OR 25V CERAMIC CAPACITOR. ALL RESISTANCE VALUES ARE IN OHM. ALL CAPACITANCE VALUES ARE IN uF (P=PF) ALL E-CAPACITORS ARE SHOWN IN THE FORM OF CAPACITANCE(uF)/RATED VOLTAGE(V) T --- TANTALUM CAPACITOR.
- COMPONENTS IN () INDICATE NOT USE.



Printed circuit boards

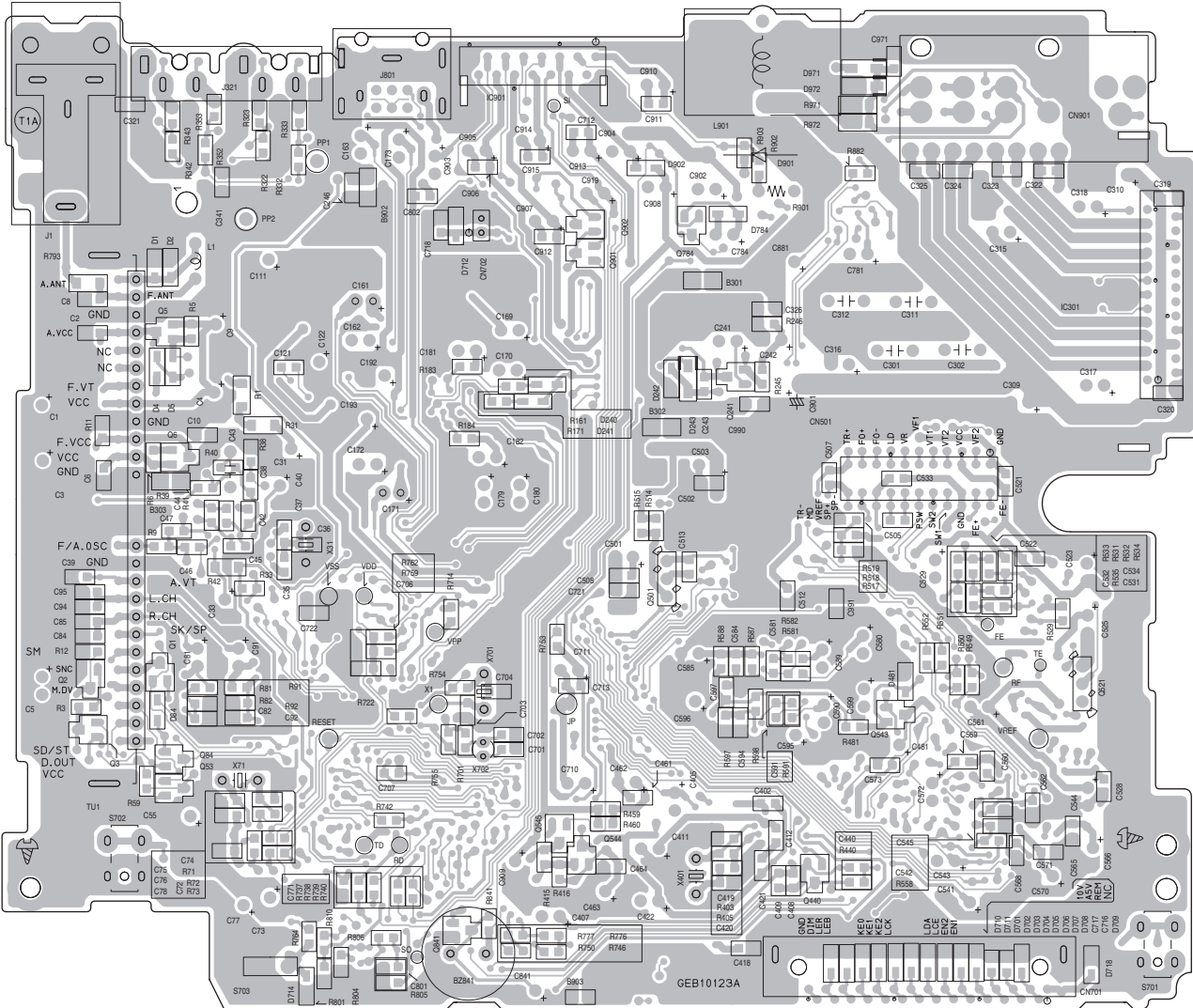
■ Main board

Forward side



Main board

Reverse side



JVC

Victor Company of Japan, Limited

AV & MULTIMEDIA COMPANY CAR ELECTRONICS CATEGORY 10-1, 1chome, Ohwatari-machi, Maebashi-city, 371-8543, Japan

(No.MA138SCH)



Printed in Japan
VPT