

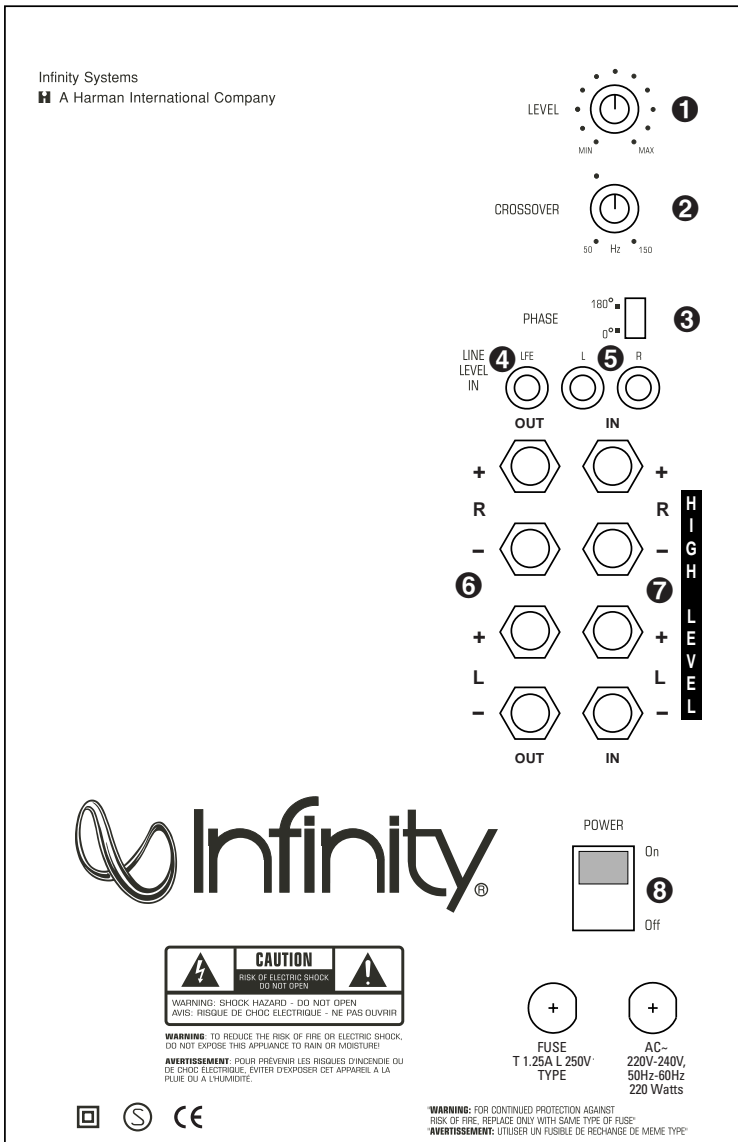
INFINITY PRIMUS PS8

Service Manual



SUBWOOFER CONTROLS

Rear Panel



- 1 Subwoofer Level Control
- 2 Crossover Adjustment
- 3 Phase Switch
- 4 Direct (LFE) Input
- 5 Line-Level Inputs
- 6 High-Level Outputs
- 7 High-Level Inputs
- 8 Power Switch

A Few Suggestions

We recommend that you do not operate your speakers or subwoofer with the bass, treble and loudness controls set to full boost. This will place undue strain on your electronics and speakers and could damage them.

The volume control setting on your processor/preamp or receiver is not a specific indication of the overall loudness level of the speakers. The only important consideration is the loudness level at which the system can be played, regardless of where the volume control is set.

Always turn down the volume control setting on your processor/preamp or receiver when changing a cassette or CD, or switching inputs to AM or FM operation. Excessively loud transients (clicks or popping sounds) can damage the satellite speakers and possibly the subwoofer.

Important!

Whenever changing cables, pulling plugs, etc., ALWAYS TURN OFF ALL EQUIPMENT, including the subwoofer.

PRIMUS SUB (PS8)

NO.	Part number	Description	Quantity
1	010-7510-00328	Amplifier INFINITY 100W 230V AMP	1PCS
2	20PR10DAG-FW01	Woofers JBL 8" MM 60HM 35MM	1PCS
3	213-080-00488	ABS PLASTIC RING256*5.0T	1PCS
4	244-080-00255	ABS Grill frame 400.87*246.67*3T Black BK	1PCS
5	244-080-00263	ABS Grill frame 436.5*154.5*3T GREY BE CH	1PCS
6	283-000-00138	NON-SPINNING GASKET FOR PRIMUS HCSBK/230 SUB	1PCS
7	316-ABS-00532	ABS LOGO 38.5*11.5 GOLD PLATING SURFACE	1PCS
8	320-ABS-00195	ABS FOOTBASE Φ 26*19.97	4PCS
9	320-RUB-00199	RUB FOOTBASE 2.5T Φ 7/70'	4PCS
10	352-AM04020D210	BLACK PLATING SCREW T4*20	10PCS
11	352-CM04025D604	FE BLACK PLATING SCREW T4*25	4PCS
12	352-DM04525D597	FE SCREW T4.5*25	6PCS
13	352-FM04014D609	FE SCREW Φ 8 BLK PLATING T4*14	8PCS
14	411-000-01458	PAP SERIAL NUMBER FOR PRIMUS HCSBK/230	1PCS
15	411-000-01461	PAP SERIAL NUMBER FOR PRIMUS HCSBE/230	1PCS
16	423-000-00009	PLASTIC BAG 9"*10"*0.03T	1PCS
17	424-000-00162	PO BAG FOR PRIMUS HCS SUB	1PCS
18	431-000-00945	EPS POLYFOAM FOR PRIMUS HCS SUB	1PCS

PRIMUSHCS SUB (PS8)

Reference	Description	Part number
	AMP + INPUT PCB ASS`Y	051-A00328A
	Power transformer EI-86 230V/50HzTT0869803320	150-e8604106
	Wire SP-021A 6FT VDE	152-v602026
FS101	Fuse TSD 1.25A 250V VDE	154-v12506t0
	Fuse holer R3-11	155-520020
	WIRE RED 18AWG 80mm 8mm#1015	162-10082007
	WIRE 650mm RED=205# 0.5TBLK=110# 0.5T	162-50652003
	Rubber bind tie 100mm transparent	163-11009
	Close terminal CE-1	176-wjce1
SW101	Power supply switch ROCK RF-1003-BB2-OHA	180-prf1003s
Q120,Q124	Piezo TO-220 18*13mm	193-2m1813
	4 ϕ *12 Screw	350-EM04012D024
	M4*16 Screw	351-HM04016A218
	M3*12 Screw	351-BM03012A088
	M3*8 Screw	351-AM03008A079
	ϕ 3*10 P Screw	352-AM03010D065
	ϕ 3*8 B Screw	352-AM03008D040
	M4 Nut & Shim	354-GM04002
	AL back board 300*200*2.5t	302-AL-00405
	IC HOLDER 26.9*12*1.4T	361-FE-00004
	PCB Brance L TYPE t=1.6mmS.P.C.C 89*9*1.6T	362-FE-00013
	HEAT SINK 117.5*71.5*25	323-AL-00106
	Bobbie knob 46077-W P.V.C.	311-ABS-00028
	Back plate 198*298*102H	306-ABS-00206
	Wrie button 4K-4 NO-BB	335-NYL-00002
	EVA W 198*12*2.0T	333-EVA-00783
	EVA L 274*12*2.0T	333-EVA-00807
	EVA W 198*12*1.0T	333-EVA-00826
	EVA L 274*12*1.0T	333-EVA-00835
	Rubber shim 25*21*4t	320-RUB-00033
	Label of MADE IN CHINA	413-000-00540
Power SW,	Mylar capacitor 0.1uF 275V \pm 10% VDE	132-104kb70
	Ferrite Core U-16.3*8.2*13(J70)+CASE	123-14j70d
	Rubber bind tie 150mm	163-11509
	Copper 65L*50W	337-CU-00101
	EVA 18*9*2T	333-EVA-00761 Y

Reference	Description	Part number
R132	Resistor 820Ω 1W ±5% 10mm	110-10821jk2
R127	Resistor 2.2Ω 1/2W ±5% 15mm	110-122r2j15
R121,R122	Cement resistor 0.1Ω 5W ±5%	113-500r1j10
R138	Semi-fixed resistor 3K 0.3W ±20%	114-03302m0
VR201	Lever variable resistor B20K	115-h203b208
VR201	Variable resistor D16 50K/1 A	115-h503a104
C121,C122	Electronic cap. 4700uF 35V ±20%	135-4478m35
C133,C134	Electronic cap. 4700uF 50V ±20%	135-4478m50
Q101,Q115	Tube 10mm 1φ	156-b010010
PY101	Relay 5A 24V UDH-SS124D	171-udhss124d
JK202	JACK JE0300390G	174-0300390g
P101	Connection 7PIN PITCH=2.5mm	175-1c07v01
P102	Connection 2PIN PITCH=3.96mm	175-1d02v01
P103	Connection 5PIN 3.96mm	175-1d05v01
SW201	SWITCH SLIDE 6PIN MS7210V	180-tms7210v
U101,U203	I.C. OPA 4558D	190-06m4558d
U201,U202	*I.C TL074CN ST	190-16tl074cn
Q106	Transistor HI-SINCERITY HSD669A (Replace 192011d669a)	192-991d669a
Q105	Transistor HSB649T	192-992b649t
Q101,Q115	Transistor 2SC1815GR	192-021c1815gr
Q107	Transistor TIP35C	192-021tip35c
Q108	Transistor TIP36C	192-022tip36c
Q124	Transistor TIP41C NPN SGS	192-161tip41c
Q120	Transistor TIP42C PNP SGS	192-162tip42c
Q117	Transistor KSD882Y	192-201d882y
Q119	Transistor KSB772Y	192-202b772y
Q107,Q108	Piezo TO-3P 25x20mm	193-3m2520
D110,D115	Bridge rectifier 4A 500V KBL405	197-00kbl405
D104	Diode 1N4002	197-101n4002
D111,D112	Diode 1N5402	197-101n5402
	M3*14 screw	351-AM03014A094
	φ 3*8 B Screw	352-AM03008D040
	Transistor fixed 14.2*8.0*5.2t=1.6mm	361-FE-00051
	HEAT SINK 65*32*31 Aluminium color	323-AL-00020
	Transistor isolate (SW06002)	361-NYL-00054
JK203	JACK S-8071	174-2psz406g1
JK203	SPK JK 4PIN S-8072	174-2psz406g2
D117,D118	Diode 1N4148 26mm TAP	197-131n4148
R270	Resistor 1.2K 1/4W ±5% CF 26mmTAP	110-14122j26
R167	Heat resistor TTC-802(JS) NTC	109-1ttc802j0

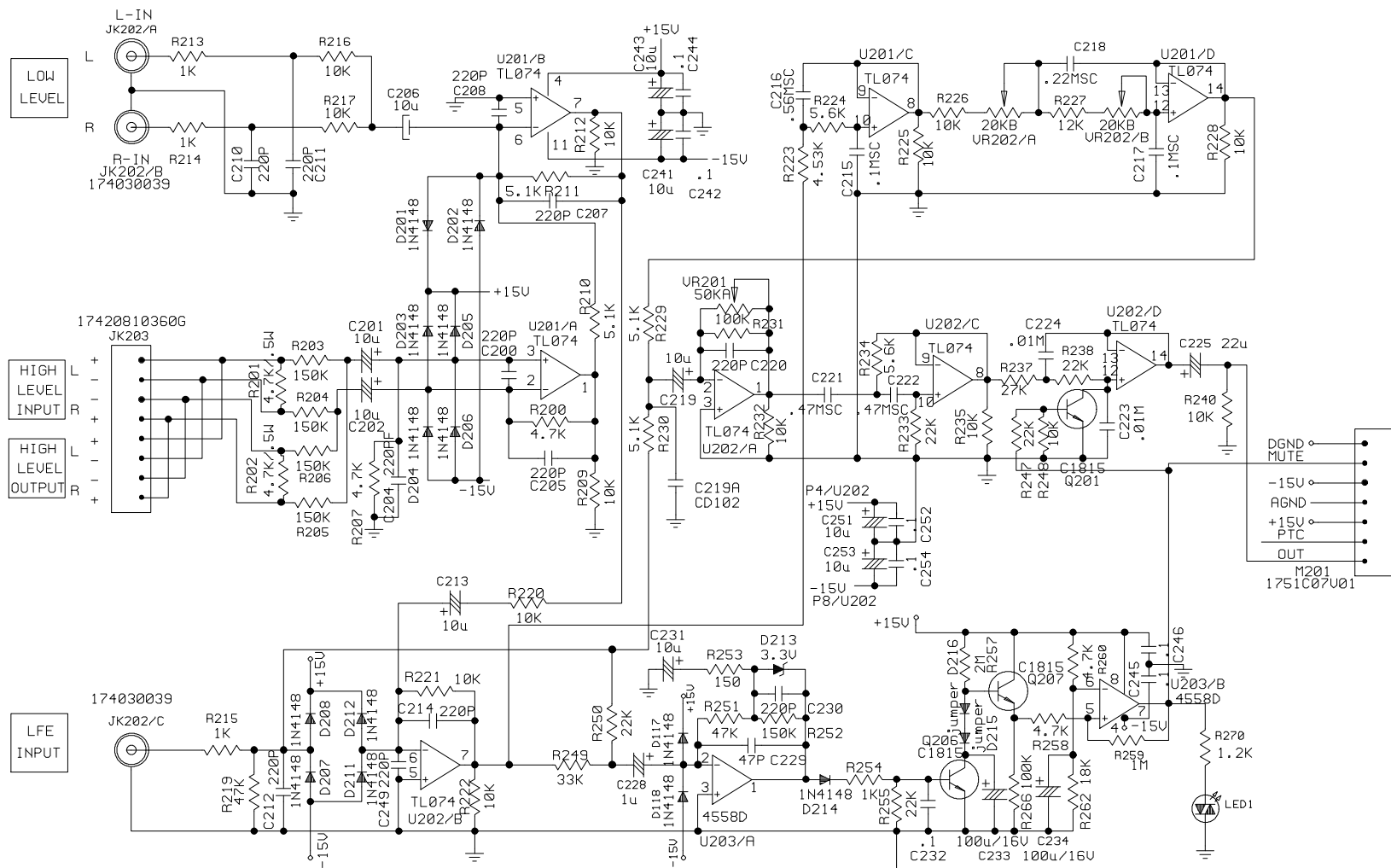
Reference	Description	Part number
TO LED1	Tube 2φ*20mm	156-h020020
TO LED1	WIRE ASS'Y 2 PIN 250mm red &white	162-50259201
TO LED1	Double color LED 204HGW 3 φ	195-10204hgw
C221,C222	Bobbin capacitor 0.47U 63V ±5% MSCTAP	129-a474j633
R201,R202	Resistor 4.7K 1/2W ±5% CF 52mm TAP	110-12472j52
R117	Resistor 56Ω 1/4W ±5% CF 26mmTAP	110-14560j26
R120	Resistor 100Ω 1/6W ±5% CF 26mmTAP	110-16101j26
R124,R166,R213,R214,R215, R254	Resistor 1K 1/6W ±5% CF 26mm TAP	110-16102j26
R133,R134,R209,R212,R216, R217,R220,R221,R222,R225, R226,R228,R232,R235,R240, R248	Resistor 10K 1/6W ±5% CF 26mm TAP	110-16103j26
R163,R164,R231,R266	Resistor 100K 1/6W ±5% CF 26mmTAP	110-16104j26
R143,R259	Resistor 100K 1/6W ±5% CF 26mmTAP	110-16105j26
R135,R139,R165,R227	Resistor 12K 1/6W ±5% CF 26mm TAP	110-16123j26
R253	Resistor 150Ω 1/6W ±5% CF 26mmTA	110-16151j26
R103,R123,R136,R137,R141, R142,R153	Resistor 1.5K 1/6W ±5% CF 26mmTAP	110-16152j26
R118,R145,R152,R154	Resistor 15K 1/6W ±5% CF 26mm TAP	110-16153j26
R131,R203,R204,R205,R206, R252	Resistor 150K 1/6W ±5% CF 26mmTAP	110-16154j26
R111,R114	Resistor 180Ω 1/6W ±5% CF 26mmTAP	110-16181j26
R262	Resistor 18K 1/6W ±5% CF 26mm TAP	110-16183j26
R257	Resistor 2M 1/6W ±5% CF 26mm TAP	110-16205j26
R128,R129,R155,R156,R158, R160,R238,R247,R250,R255, R233	Resistor 22K 1/6W ±5% CF 26mmTAP	110-16223j26
R237	Resistor 27K 1/6W ±5% CF 26mmTAP	110-16273j26
R106,R107,R144	Resistor 3.3K 1/6W ±5% CF 26mmTAP	110-16332j26
R105,R108	Resistor 3.9K 1/6W ±5% CF 26mmTAP	110-16392j26
R126	Resistor 39K 1/6W ±5% CF 26mm TAP	110-16393j26
R112,R113,R115,R116	Resistor 47Ω 1/6W ±5% CF 26mmTAP	110-16470j26
R140,R161,R162	Resistor 470Ω 1/6W ±5% CF 26mmTAP	110-16471j26
R110,R125,R130,R147,R150, R157,R159,R200,R207,R258, R260	Resistor 4.7K 1/6W ±5% CF 26mmTAP	110-16472j26
R101,R219,R251	Resistor 47K 1/6W ±5% CF 26mm TAP	110-16473j26
R210,R211,R229,R230	Resistor 5.1K 1/6W ±5% CF 26mmTAP	110-16512j26
R104	Resistor 56K 1/6W ±5% CF 26mm TAP	110-16563j26
R148,R151	Resistor 680Ω 1/6W ±5% CF 26mmTAP	110-16681j26

Reference	Description	Part number
R109	Resistor 6.8K 1/6W ±5% CF 26mmTAP	110-16682j26
R249	Resistor 33K 1/6W ±5% CF 26mmTAP	110-16333j26
C104,C139,C140	Disc capacitor 100P 50V ±10% TAP	130-2b101k503
C116,C141	Disc capacitor 1000P 50V ±10% TAP	130-2b102k503
C204,C205,C207,C208,C210, C211,C212,C214,C220,C230, C200,C249	Disc capacitor 220P 50V ±10% TAP	130-2b221k503
C108,C113,C115,C119,C137, C138,C232,C242,C244,C245, C246,C252,C254	Disc capacitor 0.1U 50V +80/-20%TAP	130-2f104z503
C106	Disc capacitor 0.047U 50V ±20% TAP	130-3f473m503
C229	Disc capacitor 47P 50V ±10% TAP	130-sl470k503
C223,C224	Mylar capacitor 0.01U 50V ±5% TAP	132-103j503
C107,C215,C217	Mylar capacitor 0.1U 50V ±5% TAP	132-104j503
C123,C124,C125,C126,C127, C128,C131,C132	Mylar capacitor 0.022uF 100V ±5% TAP	132-223ja03
C105,C112,C228	Electronic cap. 1U 50V ±20% TAP	135-3105m50
C201,C202,C206,C213,C219, C231,C241,C243,C251,C253	Electronic cap. 10uF 50V ±20% TAP	135-3106m50
C109,C110,C117,C120,C233, C234	Electronic cap. 100uF 16V ±20% TAP	135-3107m16
C135,C136	Electronic cap. 100U 50V ±20% TAP	135-3107m50
C114,C118,C225	Electronic cap. 22U 50V ±20% TAP	135-3226m50
C129,C130	Electronic cap. 220U 10V ±20% TAP	135-3227m10
C111	Electronic cap. 220U 16V ±20% TAP	135-3227m16
C103	Electronic cap. 47U 25V ±20% TAP	135-3476m25
	JUMPER WIRE 26mm TAP	161-506520
Q102,Q111,Q112,Q113,Q118, Q123,Q126,Q201,Q206,Q207	Transistor 2SC1815GR TAP	192-027c1815gr
Q121	Transistor 2SC2235Y TAP	192-027c2235y
Q114,Q116,Q122,Q127	Transistor 2SA1015GR TAP	192-028a1015gr
Q125	Transistor 2SA965Y TAP	192-028a965y
Q103,Q109	Transistor 2N5551 TAP	192-1672n5551
Q104,Q110	Transistor 2N5401 AI-PNP 350V500mA TO-92	192-1682n5401

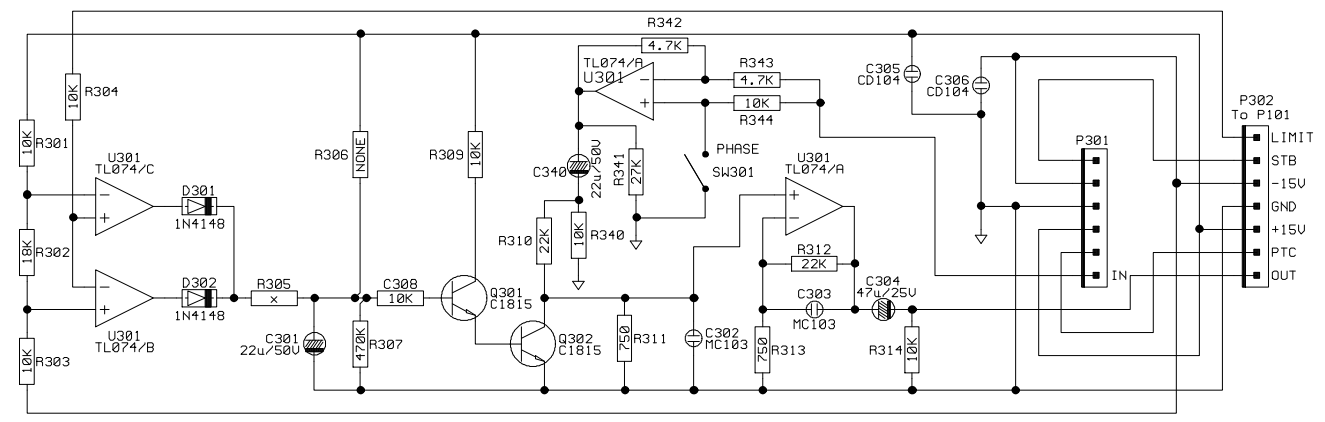
Reference	Description	Part number
D101,D103,D105,D108,D113, D114,D116,D201,D202,D203, D204,D205,D206,D207,D208, D211,D212,D214	Diode 1N4148 26mm TAP	197-131n4148
D102,D213	Zener diode 3.3V 1/2W 52mm TAP	199-15000335
D106,D107	Zener diode 6.2V 1/2W 52mm TAP	199-15000625
D109	Zener diode 16V 1/2W 52mm TAP	199-15001605
R224,R234	Resistor 5.6K 1/6W \pm 5% CF 26mmTAP	110-16562j26
R223	P.T.C. 4.53K 1/6W \pm 1% MF26mm TAP	116-164531f26
C218	Robbin cap. 0.22uF 63V \pm 5% MSCTAP	129-a224j633
C216	Robbin cap. 0.56uF 63V \pm 5%TAP	129-a564j633

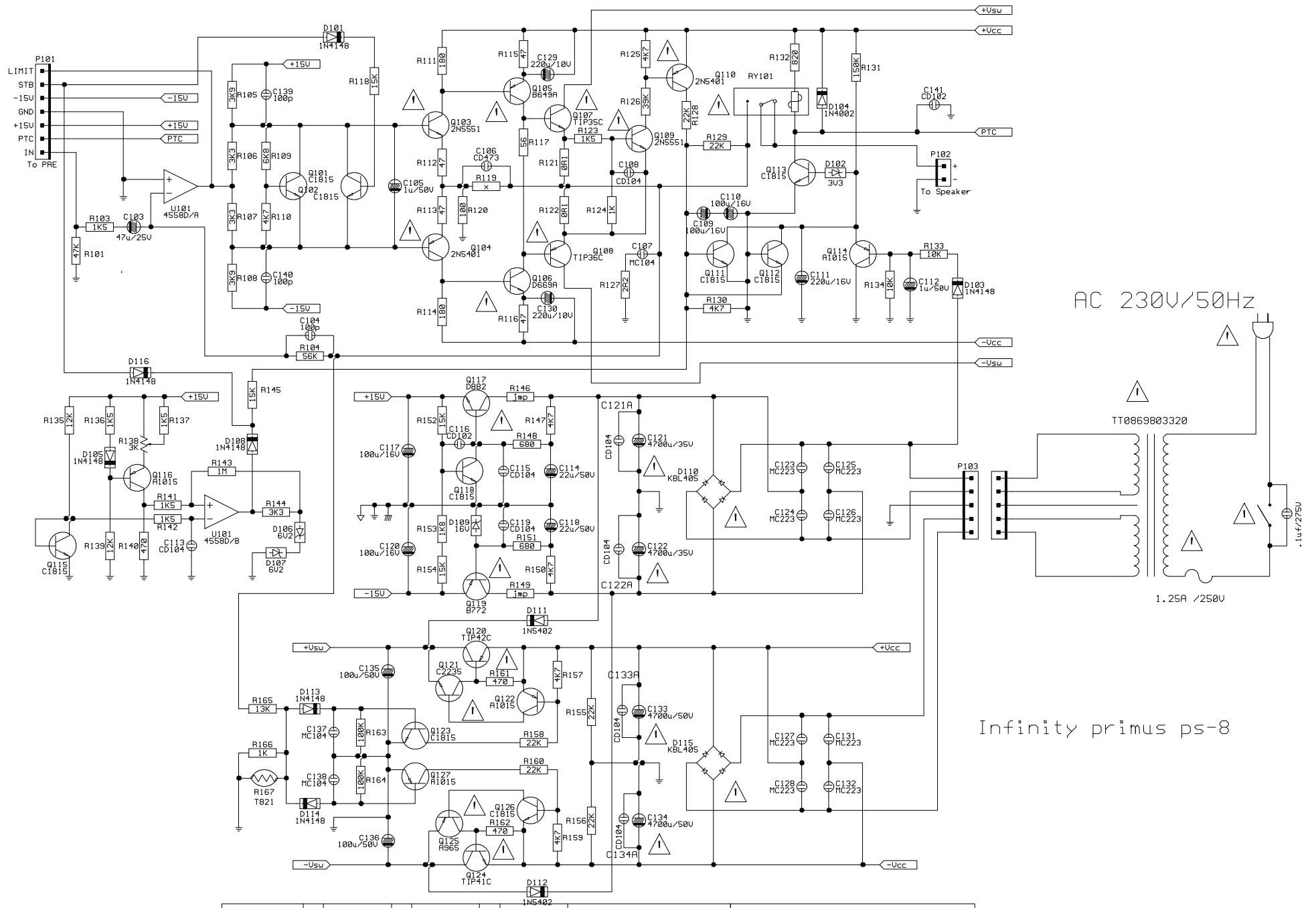
LIMITER PCB ASSY

Reference	Description	Part number
	CABLE ASS'Y 280mm AWG26WHT	162-50289001
P301	Connection 40PIN PITCH=2.54mmHR2*40	175-9f40hr2
U301	*I.C TL074CN ST	190-16tl074cn
SW301	Wire gray 90mm28AWG	162-80098201
R301,R303,R304,R308,R309, R314,R340,R344	Resistor 10K 1/6W \pm 5% CF 26mm TAP	110-16103j26
R310,R312	Resistor 22K 1/6W \pm 5% CF 26mmTAP	110-16223j26
R341	Resistor 27K 1/6W \pm 5% CF 26mmTAP	110-16273j26
R342,R343	Resistor 4.7K 1/6W \pm 5% CF 26mmTAP	110-16472j26
R307	Resistor 470K 1/6W \pm 5% CF 26mmTAP	110-16474j26
R311,R313	Resistor 750 Ω 1/6W \pm 5% CF 26mmTAP	110-16751j26
C305,C306	Disc capacitor 0.1U 50V +80/-20%TAP	130-2f104z503
C302,C303	Mylar capacitor 0.01U 50V \pm 5% TAP	132-103j503
C301,C340	Electronic cap. 22U 50V \pm 20% TAP	135-3226m50
C304	Electronic cap. 47U 25V \pm 20% TAP	135-3476m25
	*JUMPER WIRE 26mm TAP	161-506520
Q301,Q302	Transistor 2SC1815GR TAP	192-027c1815gr
D301,D302	Diode 1N4148 26mm TAP	197-131n4148
R302	Resistor 18K 1/6W \pm 5% CF 26mm TAP	110-16183j26



Infinity primus ps-8

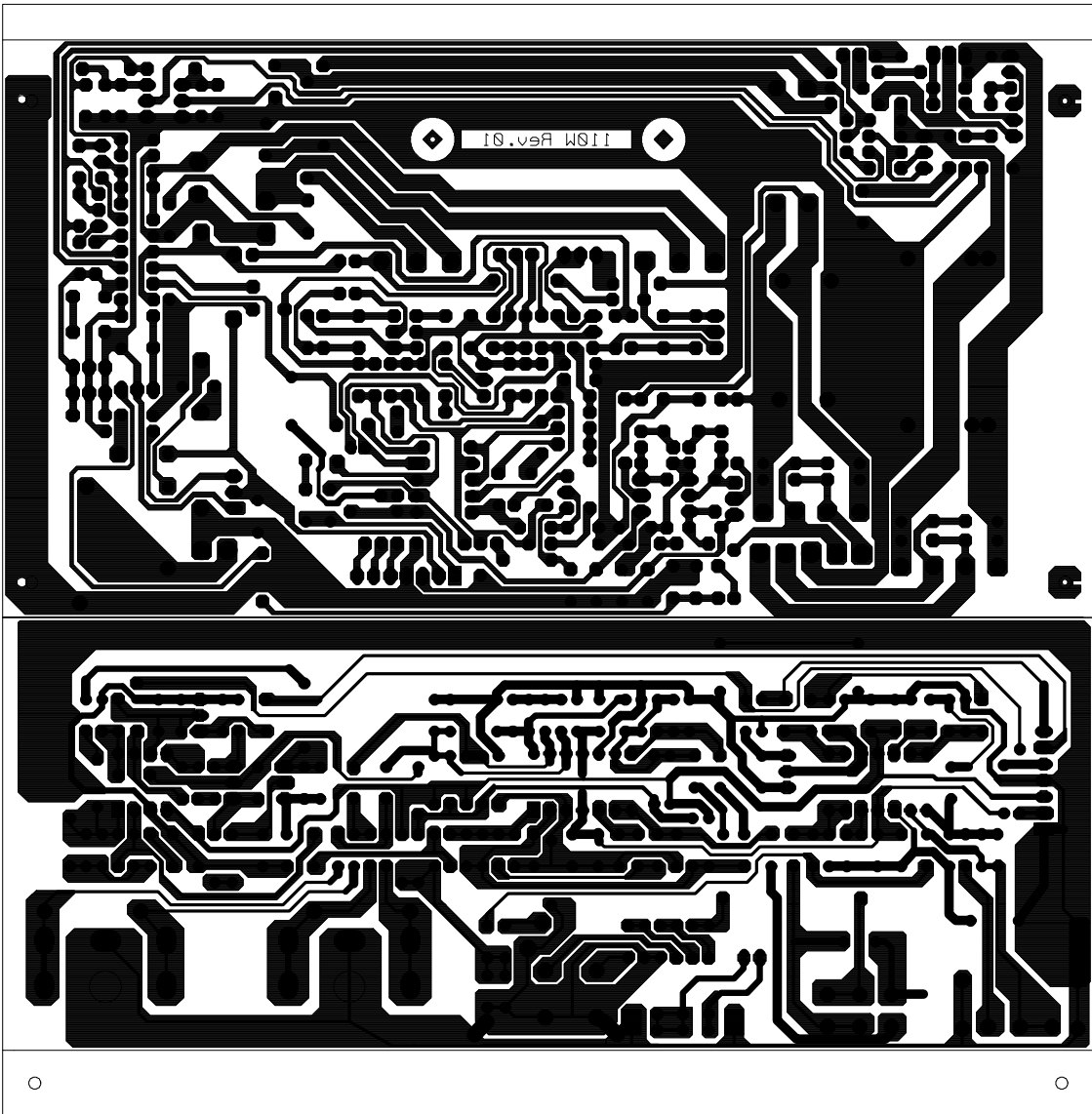




AC 230V/50Hz

Infinity primus ps-8

DRAW.	DSGN.	APVD.	FILENAME :PS8E.SCH	REVISION : 2
			MODEL NO.010-7510-0032B	1
			DWN BY :C.S.WANG	2
			DATE :2003-4-16	3



				FILENAME :	REVISION:
	DRAM.			MODEL NO.	1
		DSGN.		MATERIAL :	2
			APUD.	LAYER SOLDER PATTERN	3



TECHNOLOGY • PERFORMANCE • DESIGN

© 2003 Harman International Industries, Incorporated

Infinity Systems, 250 Crossways Park Drive, Woodbury, NY 11797 USA 800.553.3332 (USA only) www.infinitysystems.com

*Trademark of Dolby Laboratories. DTS is a registered trademark of Digital Theater Systems, Inc. Infinity is a registered trademark, and MMD is a trademark, of Harman International Industries, Incorporated.

 A Harman International Company