



AKAI

**PORTABLE MW/FM/LW
RADIO WITH CASSETTE
RECORDER**

Model:
AJ-C2500

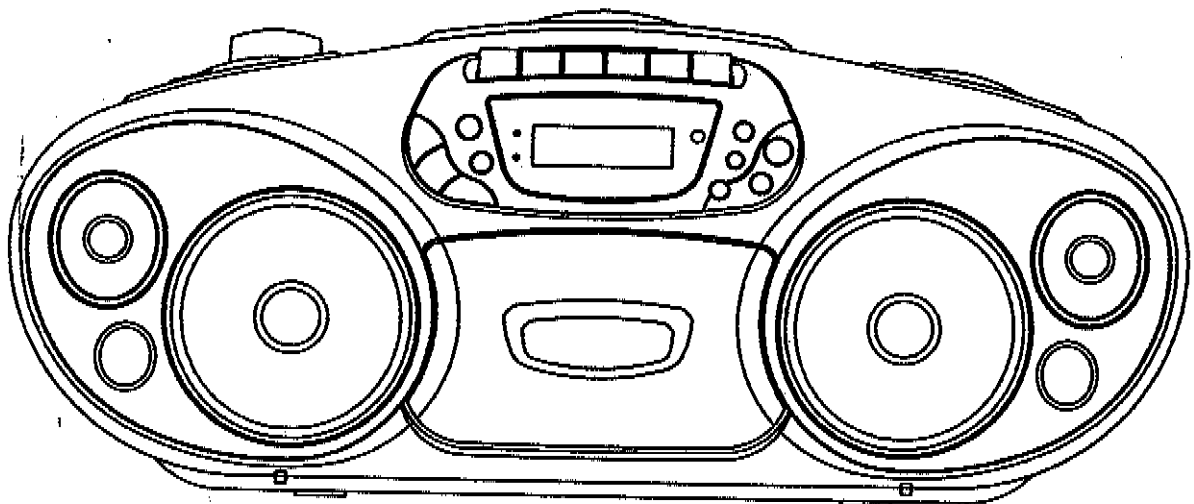
SERVICE MANUAL

AKAI SERVICE MANUAL

MODEL
AJ-C2500

CAUTION: Before servicing the chassis, read the "Important Service safety Information" section on page 2 of this manual.

PORTABLE MW/FM/LW RADIO WITH CASSETTE RECORDER



SPECIFICATIONS

AM/FM TUNER SECTION	AM: FERRITE BAR
ANTENNA SYSTEM	FM: TELESCOPIC
TUNING RANGE	AM: 515~1650KHz FM: 87.35~108.25MHz
INTERMEDIATE FREQUENCY	AM: 465KHz +/-1KHz FM: 10.7MHz +0.1MHz
AUDIO SECTION	
SPEAKER IMPEDANCE	8 ohm
GENERAL	14W
POWER INPUT	AC 230V,50Hz DC 12V
DIMENSIONS	497(W) X 234(H) X 287 (D)mm

CONTENTS

IMPORTANT SERVICE SAFETY INFORMATION	2
DISASSEMBLY INSTRUCTIONS	3
ALIGNMENT PROCEDURES	4-5
ADJUSTMENT LOCATIONS	6
IC BLOCK DIAGRAM	7-12
BLOCK DIAGRAM	13
WIRING DIAGRAM	14
PRINTED CIRCUIT BOARDS	15-24
SCHEMATIC DIAGRAMS	25-29
EXPLODED VIEW	30
EXPLODED VIEW PARTS LIST	31
REPLACEMENT PARTS LIST	32-38

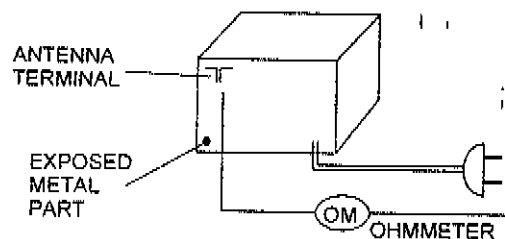
SERVICE PUBLICATION

IMPORTANT SERVICE SAFETY INFORMATION

1. SAFETY PRECAUTIONS

Before returning a unit to the customer, always make a safety check of the entire unit, including, but not limited to the following items:

- a. Be sure that no built-in protective devices are defective and/or have been defeated during servicing.
 - (1) Protective shields are provided to protect both the technician and the customer. Correctly replace all missing protective shields including any removed for servicing convenience.
 - (2) When reinstalling the chassis and/or other assemblies in the cabinet, be sure to put back in place all protective devices, including, but not limited to, nonmetallic control knobs, insulating fishpapers, adjustment and compartment covers/shields and isolation resistor/capacitor networks. Do not operate this unit or permit it to be operated without all protective devices correctly installed and functioning.
- b. Be sure that there are no cabinet openings through which an adult or child might be able to insert their fingers and contact a hazardous voltage. Such openings include, but are not limited to, excessively wide cabinet ventilation slots, and an improperly fitted and/or incorrectly secured cabinet back cover.
- c. **Leakage Current Hot Check** - With the unit completely reassembled, plug the AC line cord directly into a 120V AC outlet. (Do not use an isolation transformer during this test.) Use a leakage current tester or a metering system that complies with American National Standards Institute (ANSI) C101.1 "Leakage current for Appliances" and Underwriters Laboratories (UL) 1410.(50.7). With the unit AC switch first in the ON position and then in the OFF position, measure from a known earth ground (metal water pipe, conduit, etc.), especially any exposed metal parts that offer an electrical return path to the chassis. Any current measured must not exceed 0.5 milliamp. Reverse the unit power cord plug in the outlet and repeat test. **ANY MEASUREMENTS NOT WITHIN THE LIMITS SPECIFIED HEREIN INDICATE A POTENTIAL SHOCK HAZARD THAT MUST BE ELIMINATED BEFORE RETURNING THE UNIT TO THE CUSTOMER.**



2. PRODUCT SAFETY NOTICE

Some electrical and mechanical parts have special safety related characteristics which are often not evident from visual inspection, and the protection they give necessarily be obtained by replacing the parts with components rated for higher voltage, wattage, etc. Parts that have special safety characteristics are identified by a Δ symbol in the schematic and parts list. Use of a substitute replacement that does not have the same safety characteristics as the recommended replacement part might create shock, fire, and/or other hazardous conditions. Product safety is under review continuously and new instructions are issued whenever appropriate.

3. SERVICING PRECAUTIONS

CAUTION Before servicing the unit covered by this service manual and its supplements read and follow the SAFETY PRECAUTIONS on this page. **NOTE** If unforeseen circumstances create a conflict between the following servicing precautions and any of the safety precautions, always follow the safety precautions. Remember: Safety First.

General Servicing Precautions.

- a. Always unplug the unit's AC power cord from the AC power source before:
 - (1) removing or reinstalling any component, circuit board, module, or any other unit assembly.
 - (2) disconnecting or reconnecting any unit electrical plug or other electrical connection.
 - (3) connecting a test substitute in parallel with an electrolytic capacitor in the unit.

Caution: A wrong part substitution or incorrect polarity installation of electrolytic capacitors may result in an explosion hazard.
- b. Do not defeat any plug/socket B+ voltage interlocks with which the unit covered by this service manual might be equipped.
- c. Do not apply AC power to this unit and/or any of its electrical assemblies unless all solid-state device heat sinks are correctly installed.
- d. always connect a test unit instrument's ground lead to the unit's chassis ground before connecting the test instrument's positive lead. Always remove the test instrument's ground lead last.

4. LASER PRECAUTIONS

WARNING!!

1. When servicing, (in case it is necessary to confirm Laser Beam Emission) be sure not to place your eyes any closer than 1 ft or 30cm from the surface of the Objective Lens on the Optical Pickup Block.

HANDLING THE LASER PICKUP

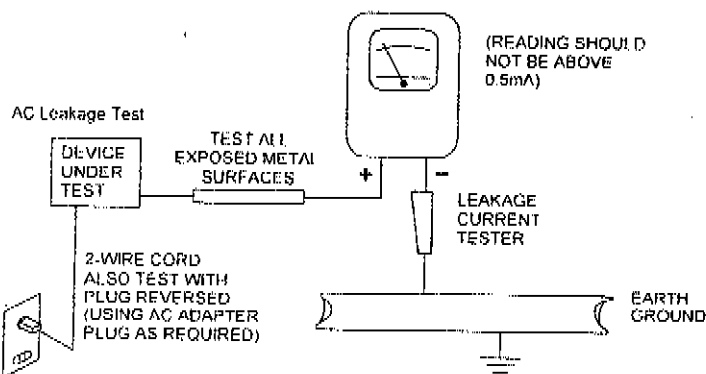
2. Laser diodes are extremely susceptible to damage from static electricity. Even if a static discharge does not ruin the diode, it can shorten its life or cause it to work improperly. When replacing the pickup, use a conductive mat on the floor and desk and wear a wrist band connected to ground through a 1M ohm resistor to protect the laser diode from static damage. If the lens should get dusty, blow off the dust carefully from the object.
3. There are no adjustable parts in the pickup assembly. If it is defective, replace the whole pickup assembly.

CAUTION:

USE OF CONTROLS, ADJUSTMENTS OR PERFORMANCE OF PROCEDURES HEREIN MAY RESULT IN HAZARDOUS RADIATION EXPOSURE.

DANGER:

IF INTERLOCK FAILS OR IS DEFEATED THE LASER LIGHT IS ABLE TO FUNCTION. THE LASER IS INVISIBLE. AVOID DIRECT EXPOSURE TO BEAM



d. Insulation Resistance Test Cold Check

Unplug the power supply cord and connect a jumper wire between the two prongs of the plug.

Turn on the power switch of the unit.

Measure the resistance with an ohmmeter between the jumpered AC plug and each exposed metallic cabinet part on the unit, such as screwheads, antenna, control shafts, handle brackets, etc. When the exposed metallic part has a return path to the chassis, the reading should be between 1 and 5.2 megohms. When there is no return path to the chassis, the reading must be infinite. If it is not within the limits specified, there is the possibility of a shock hazard, and the unit must be repaired and rechecked before it is returned to the customer.

DISASSEMBLY INSTRUCTIONS

- 1) ROTATE THE UNIT TO EXPOSE THE BACK SIDE.
- 2) REMOVE THE 9 SCREWS AS SHOWN IN FIG.1.

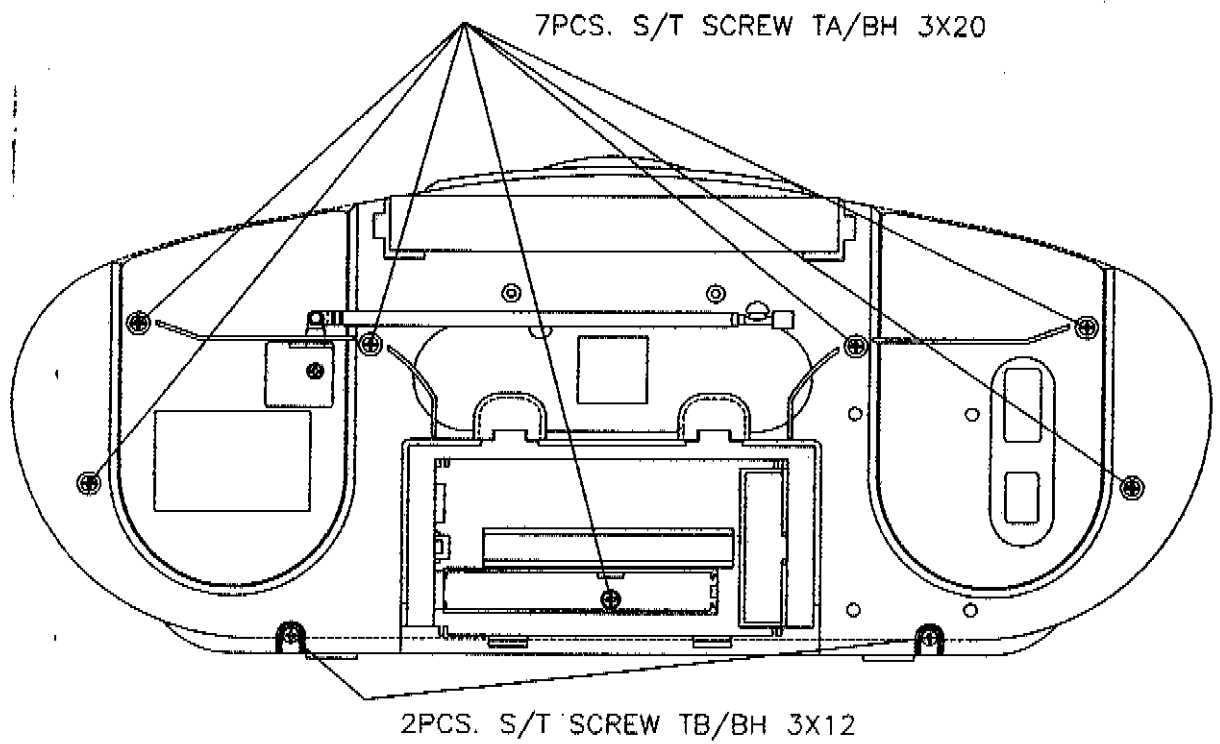


FIG.1

ADJUSTMENT PROCEDURES

1. MW ALIGNMENT

Alignment	Equipment connection	Step	Gen freq.	Set Radio Dial to	(To Obtain Max Output) Adjust	
IF	Signal generator coupled by a single turn around the ferrite antenna	1	450KHz	612KHz	T2	
		2	Repeat step to obtain Maximum Output			
		3	522KHz	522KHz	(MWO scillator coil) T3	
MW Band	Output level must be below (APPROX.50mW	4	1620KHz	1620KHz	(OSC-Trimmer) CT4L	
		5	Repeat steps 3 and 4 to obtain full frequency coverage			
MW Tracking	OUTPUT)	6	612KHz	612KHz	MW ANT coil	
		7	1404KHz	1404KHz	(ANT-Trimmer) CT3	
		8	Repeat steps 6 and 7 to obtain full frequency coverage			

*Set the internal modulation of signal generator to 1 KHz modulation.

*Use only nonmetallic alignment tools to ensure proper alignment.

2. LW ALIGNMENT

Alignment	Equipment connection	Step	Gen freq.	Set Radio Dial to	(To Obtain Max Output) Adjust	
IF	Signal generator coupled by a single turn around the ferrite antenna	1	450KHz	164KHz	T2	
		2	Repeat step to obtain Maximum Output			
		3	146KHz	146KHz	(LW Oscillator coil) T4	
LW Band	Output level must be below (APPROX.50mW	4	281KHz	281KHz	(OSC-Trimmer) CT5L	
		5	Repeat steps 3 and 4 to obtain full frequency coverage			
LW Tracking	OUTPUT)	6	164KHz	164KHz	LW ANT coil	
		7	218KHz	218KHz	(ANT-Trimmer) CT6L	
		8	Repeat steps 6 and 7 to obtain full frequency coverage			

3. FM ALIGNMENT

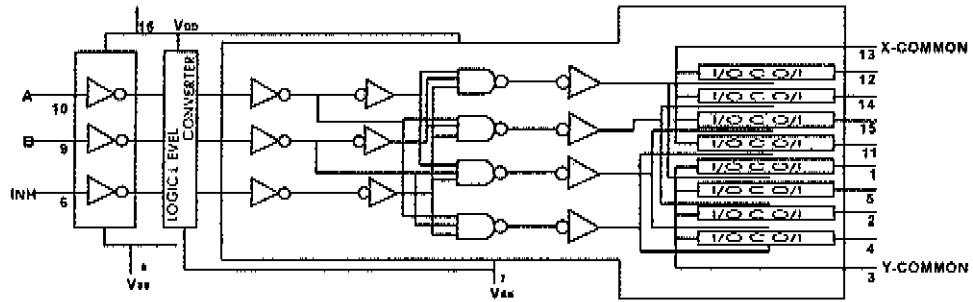
Alignment	Equipment connection	Step	Gen freq.	Set Radio Dial to	(To Obtain Max Output) Adjust	
IF	Equipment connection Sweep gen via 0.02uF cap to pin 9 of IC1	1	10.7KHz	90.1KHz	T1	
		2	Repeat step to obtain Maximum Output			
		3	87.5KHz	87.5KHz	(FM oscillator coil) L4	
FM Band	Output from pin of IC1 FM Signal gen to cer. Cap C1. Oscilloscope to pin12	4	108KHz	108KHz	(OSC-Trimmer) CT2	
		5	Repeat steps 3 and 4 to obtain full frequency coverage			
FM Tracking	OF IC1	6	90.1KHz	90.1KHz	Adjust L2 (FM RF coil)	
		7	106.1KHz	106.1KHz	Adjust CT1 (ANT-Trimmer)	
		8	Repeat steps 6 and 7 to obtain full frequency coverage			

4.TAPE ADJUSTMENT

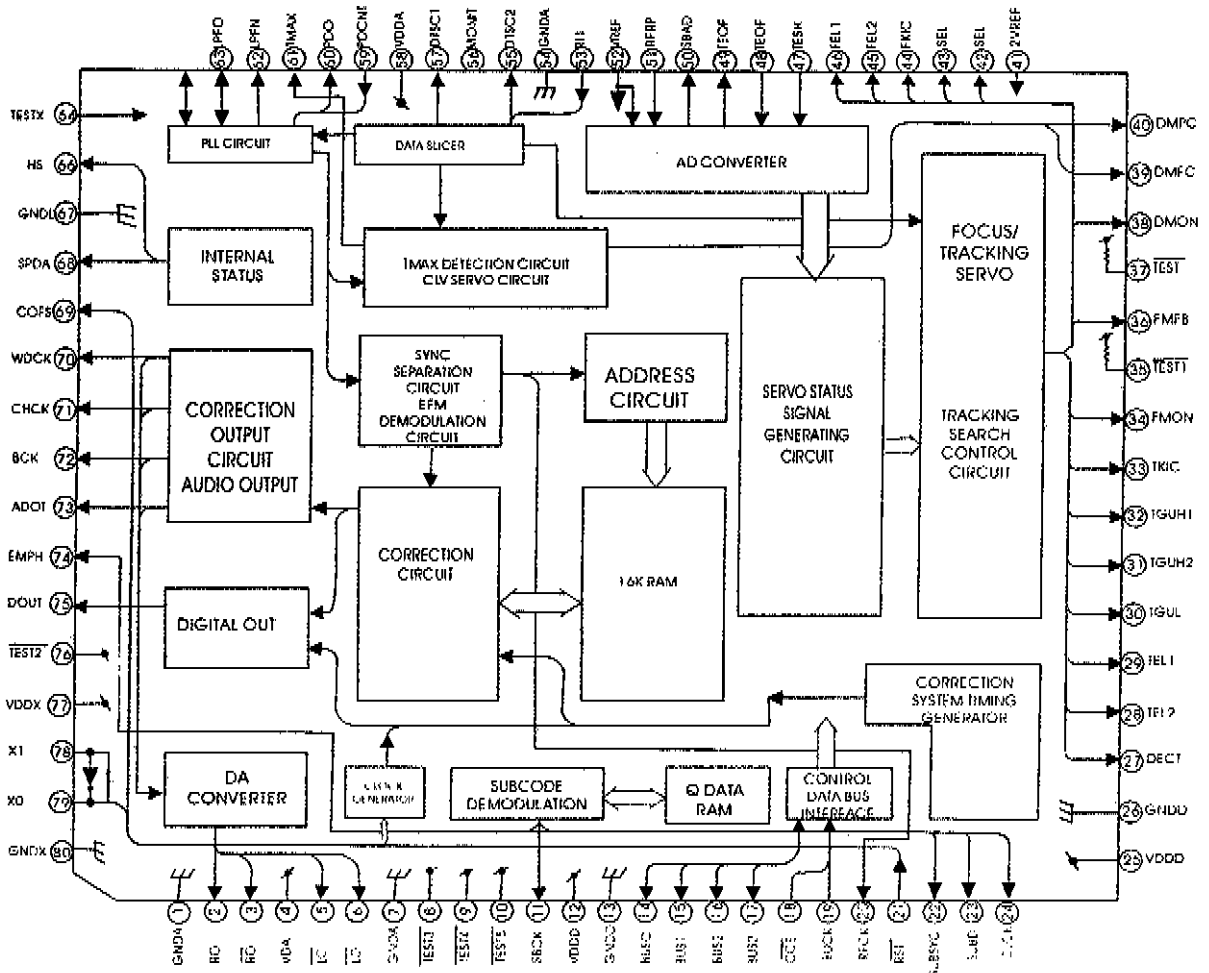
ITEM	CONDITION	Equipment Connection	ADJUST
Head Alignment	Play back test tape MIT-113CN 8KHz	Connect VTVM&OSC to speaker output	Adjust Head Azimuth screw for max. reading on VTVM &6.3KHz on OSC
Speed Adjustment	Play back test tape MIT-111 3KHz	Connect WOW &Flutter Meter to speaker output	Adjust Motor until a reading of 3KHz +/- 30KHz is obtained
Rec . Osc. Freq.Adjustment	Record mode	Connect Freq. Counter thru 5pF cap . to T301 secondary	Adjust T301 for 62KHz

IC BLOCK DIAGRAM

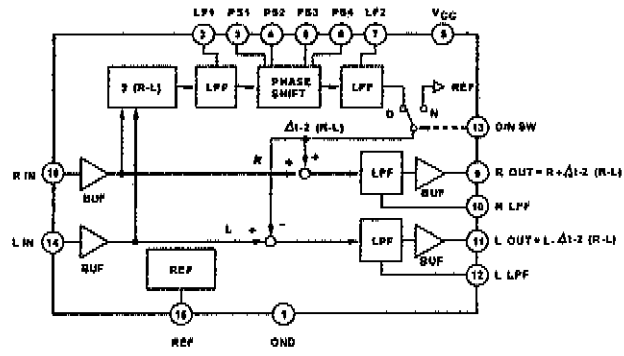
TC4052B



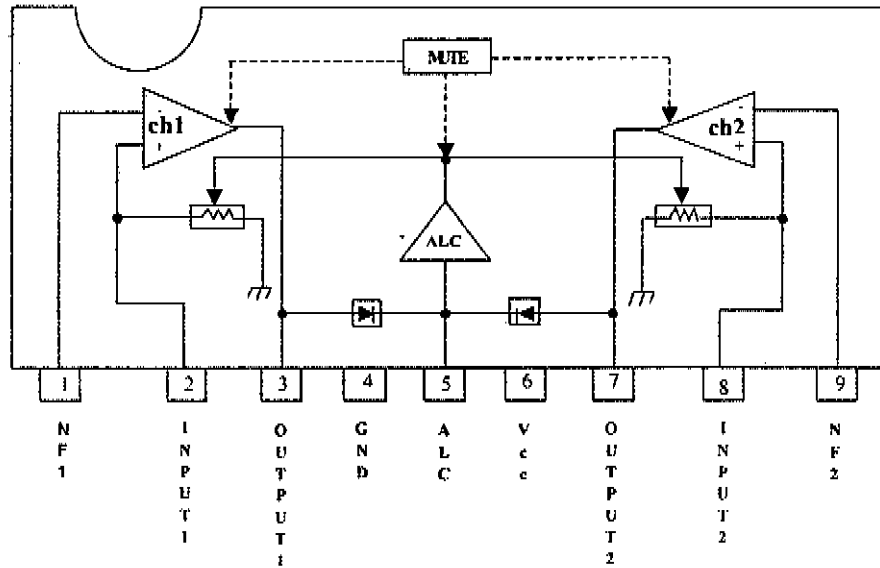
TC9284BF



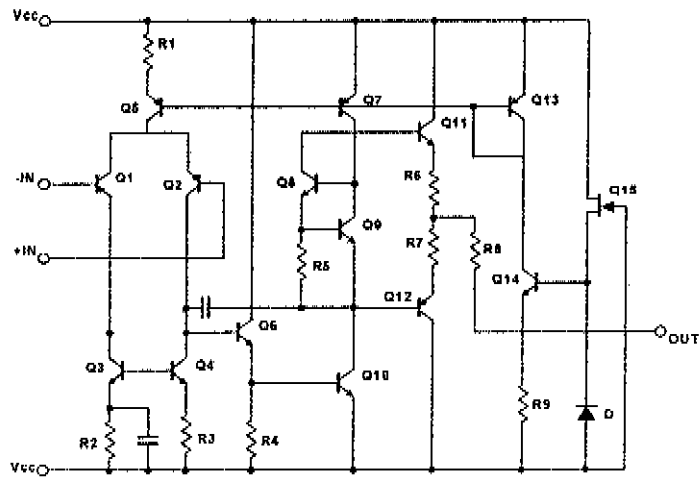
TA8173AP



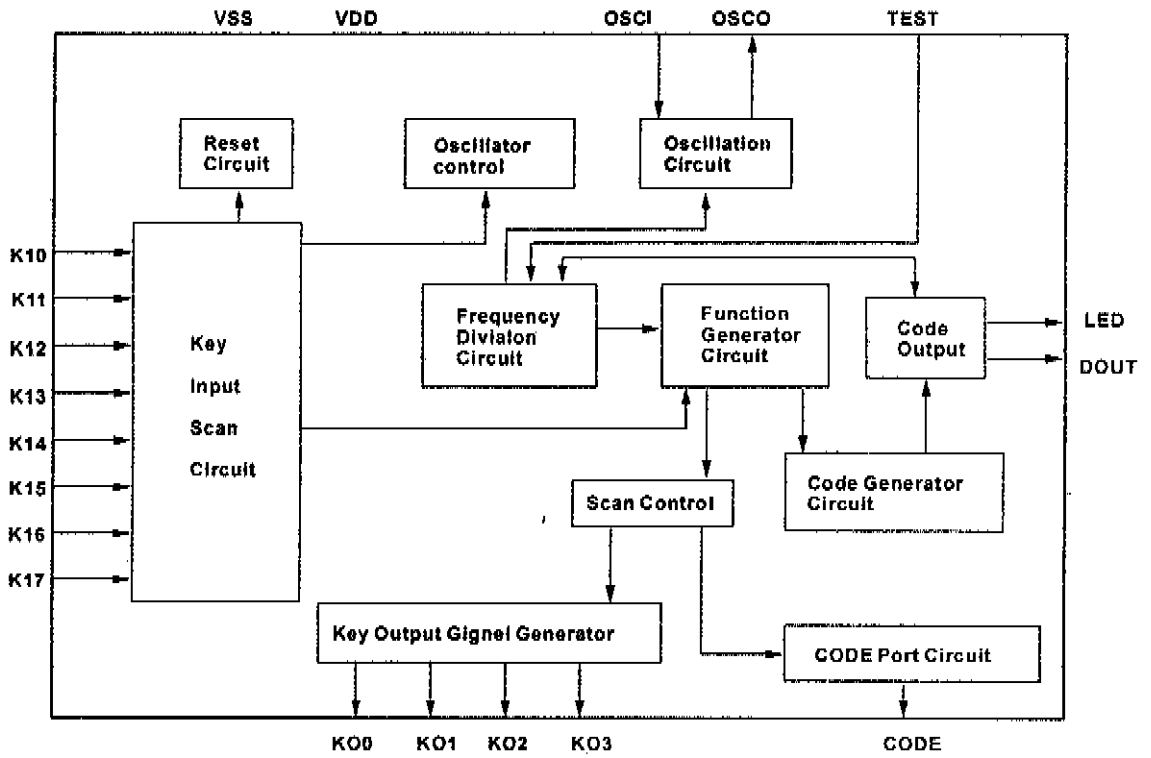
BA3308



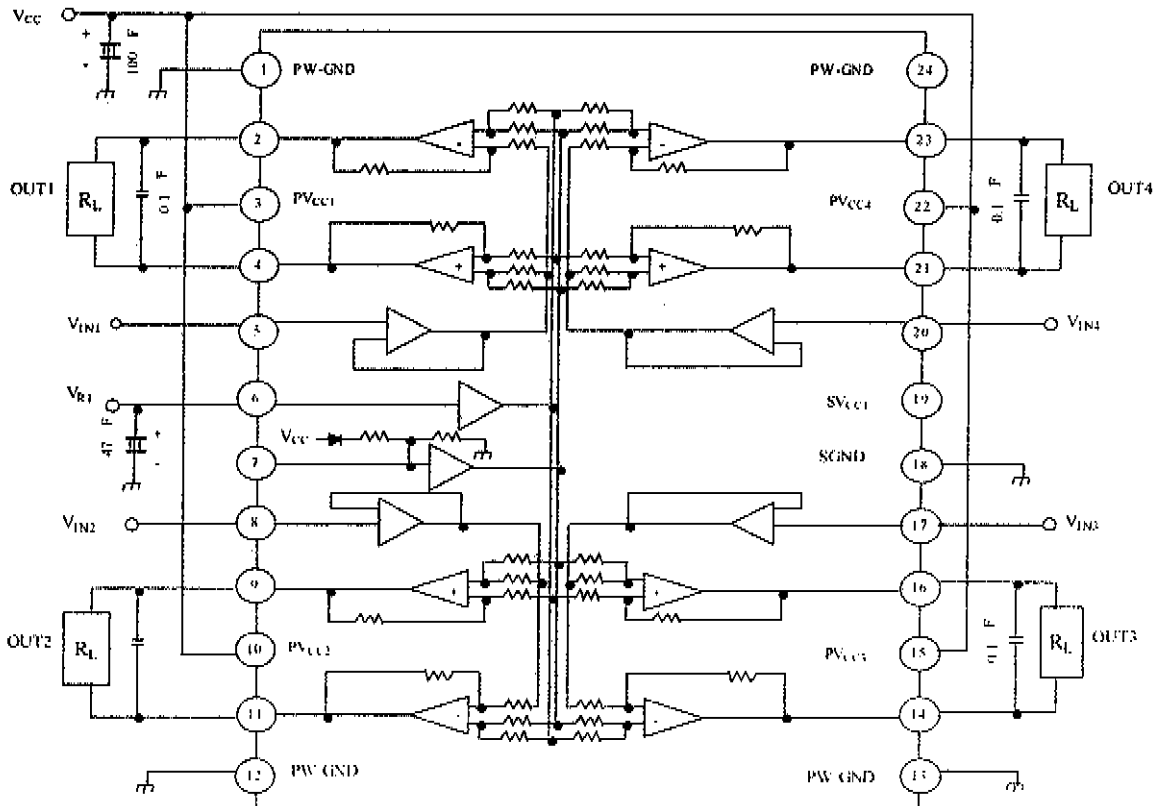
BA4558N

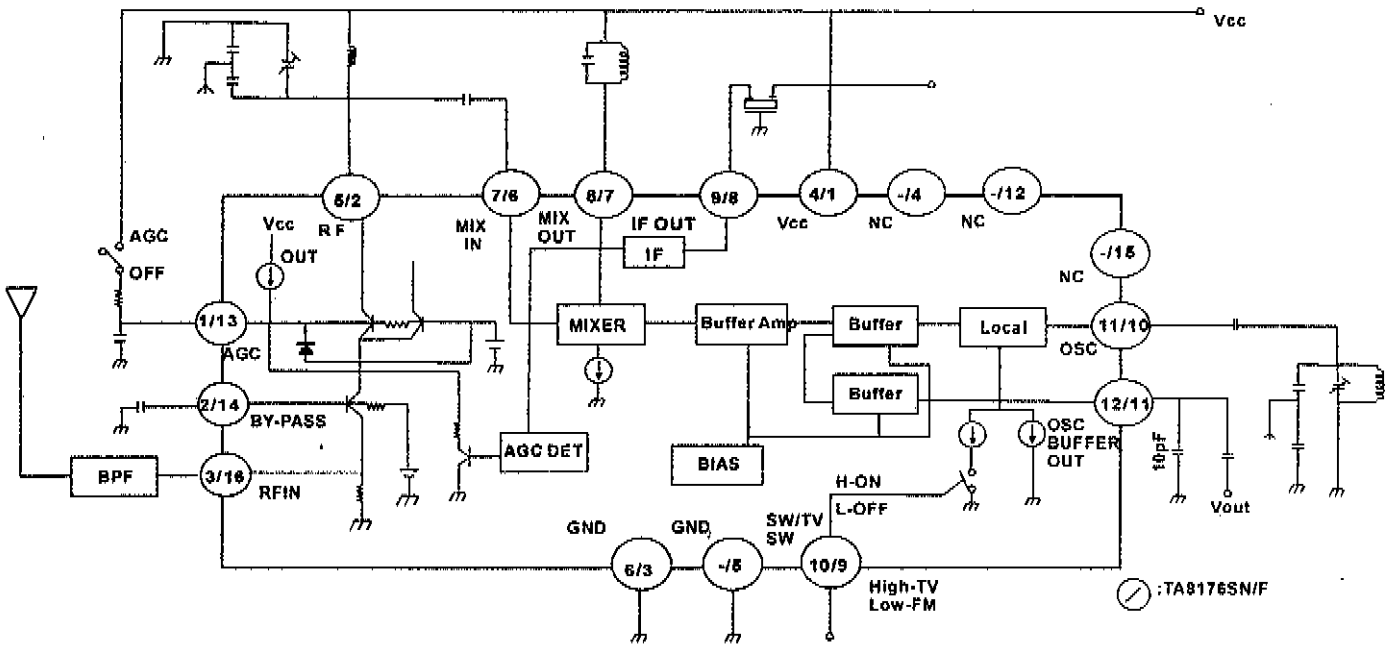


TC9243

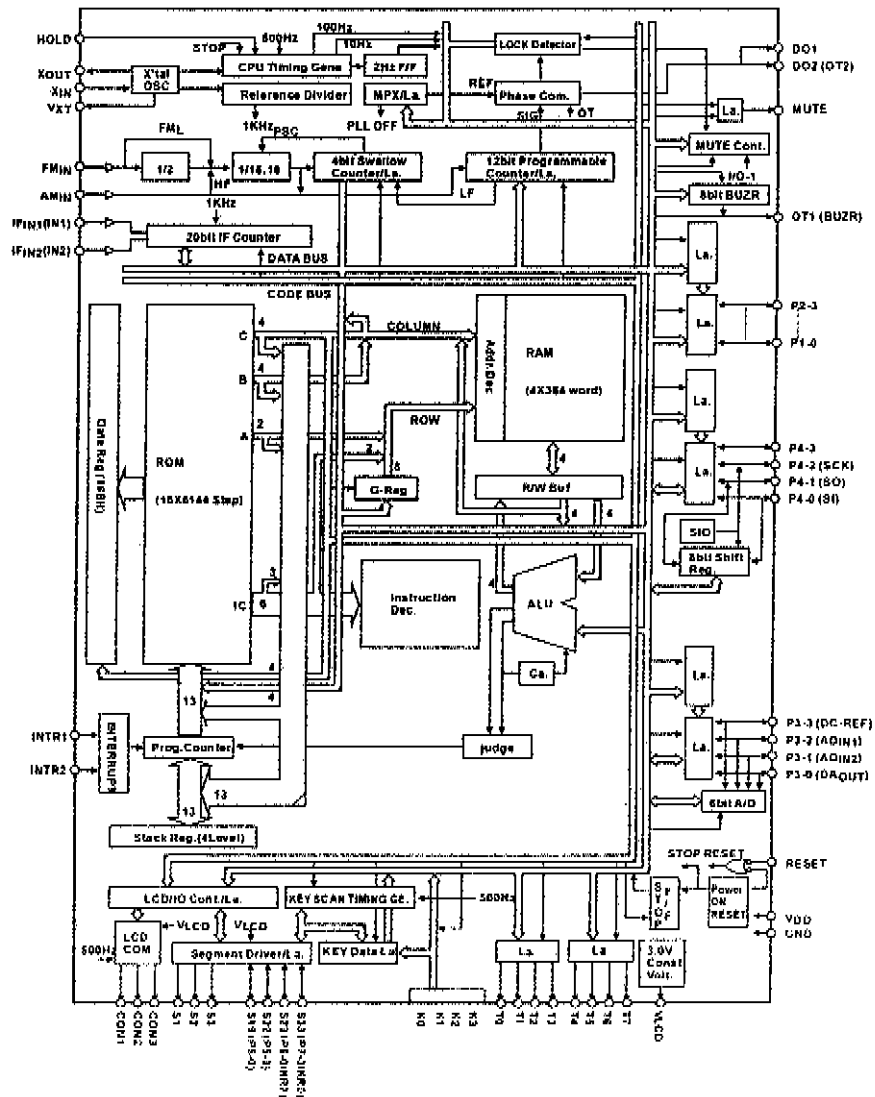


TA2092N

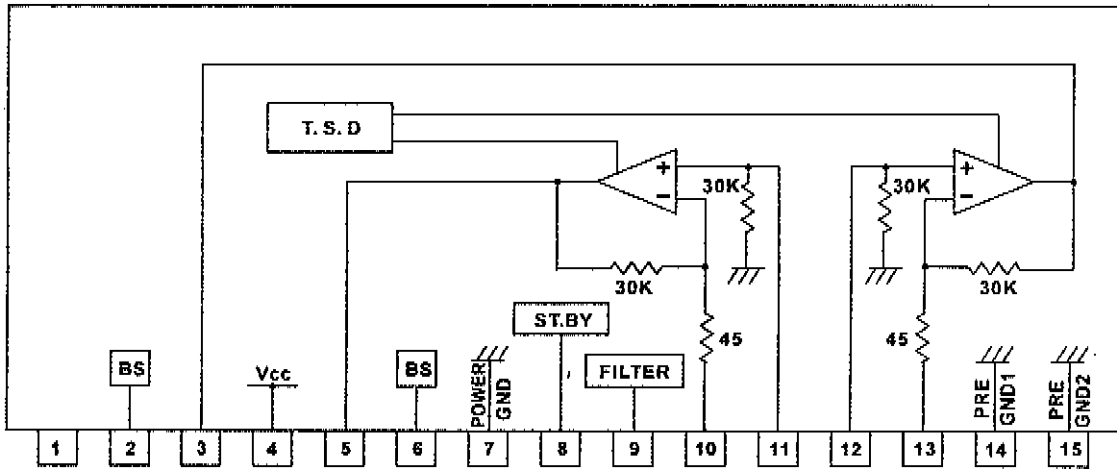




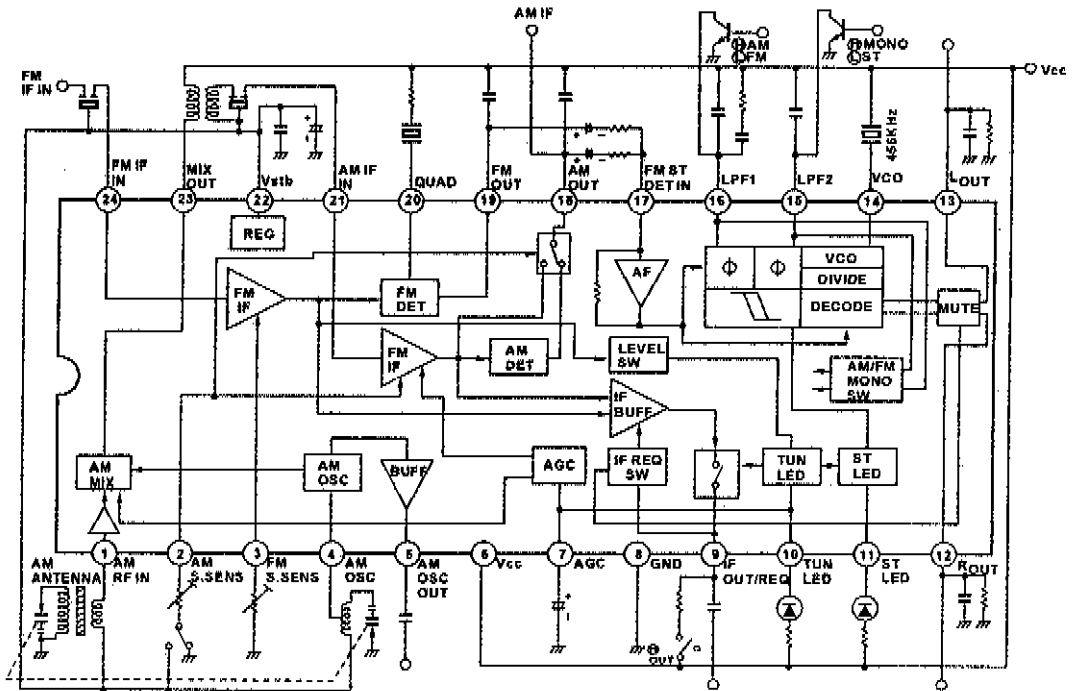
TC9314F-037



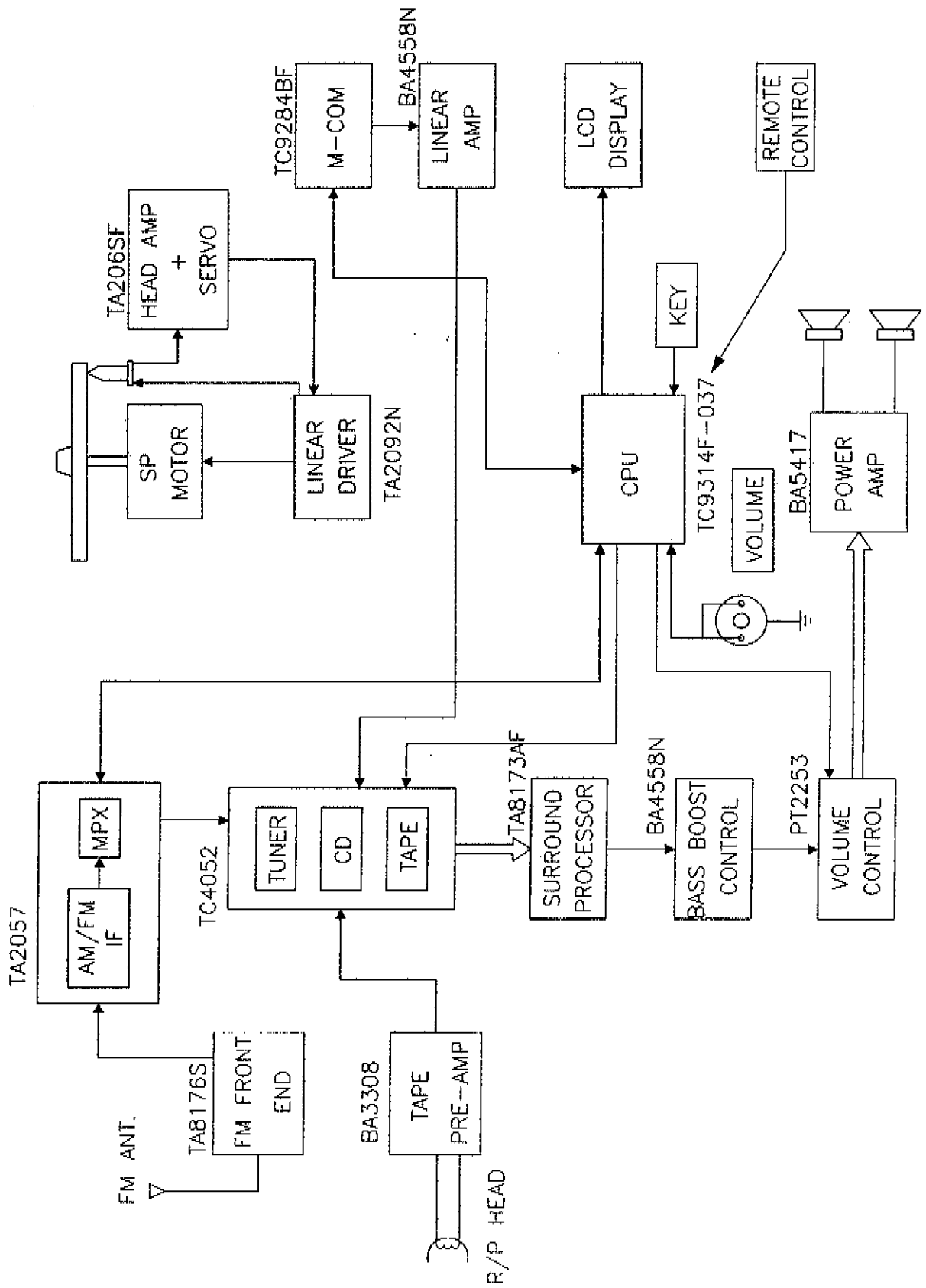
BA5417



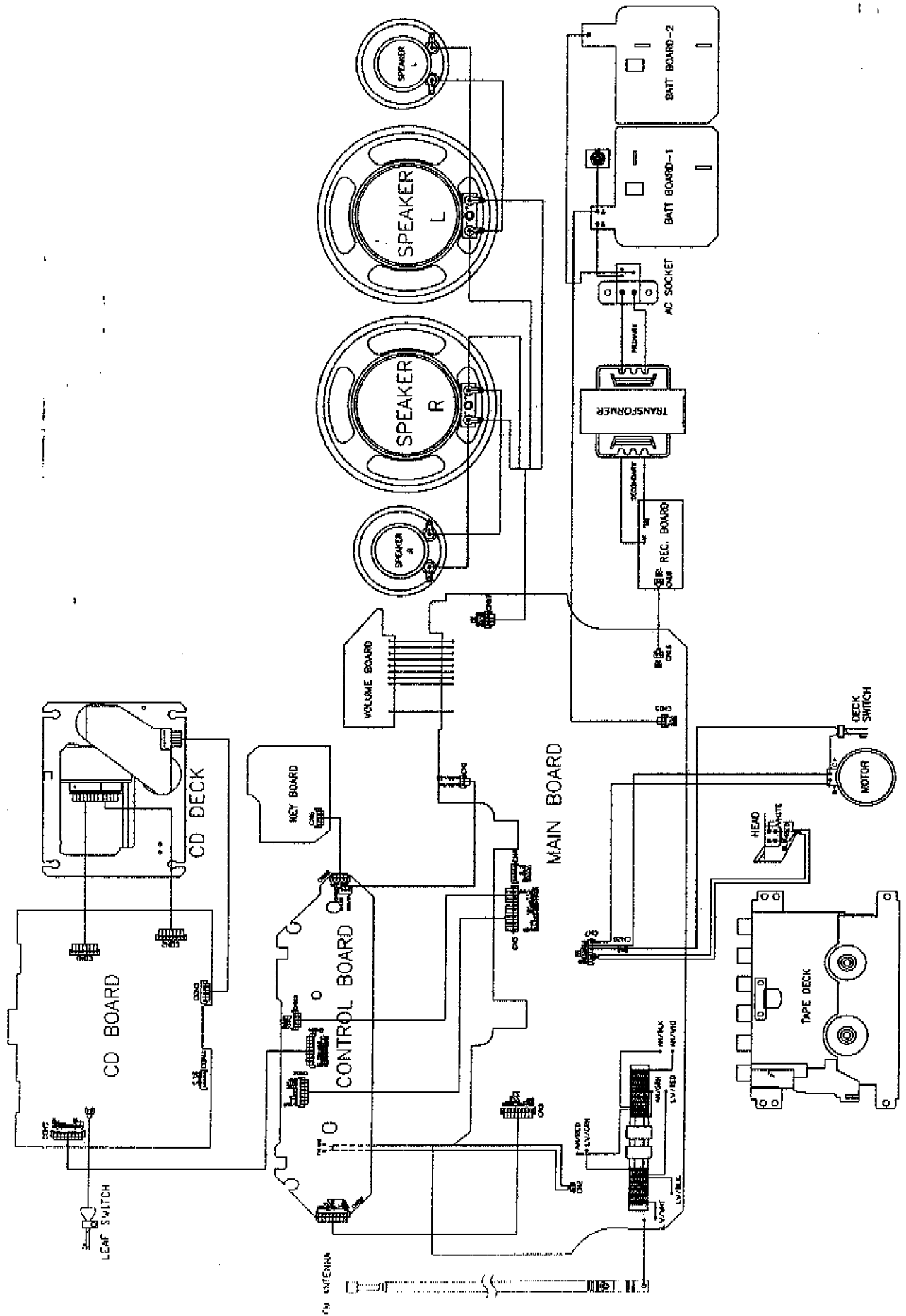
TA2057N

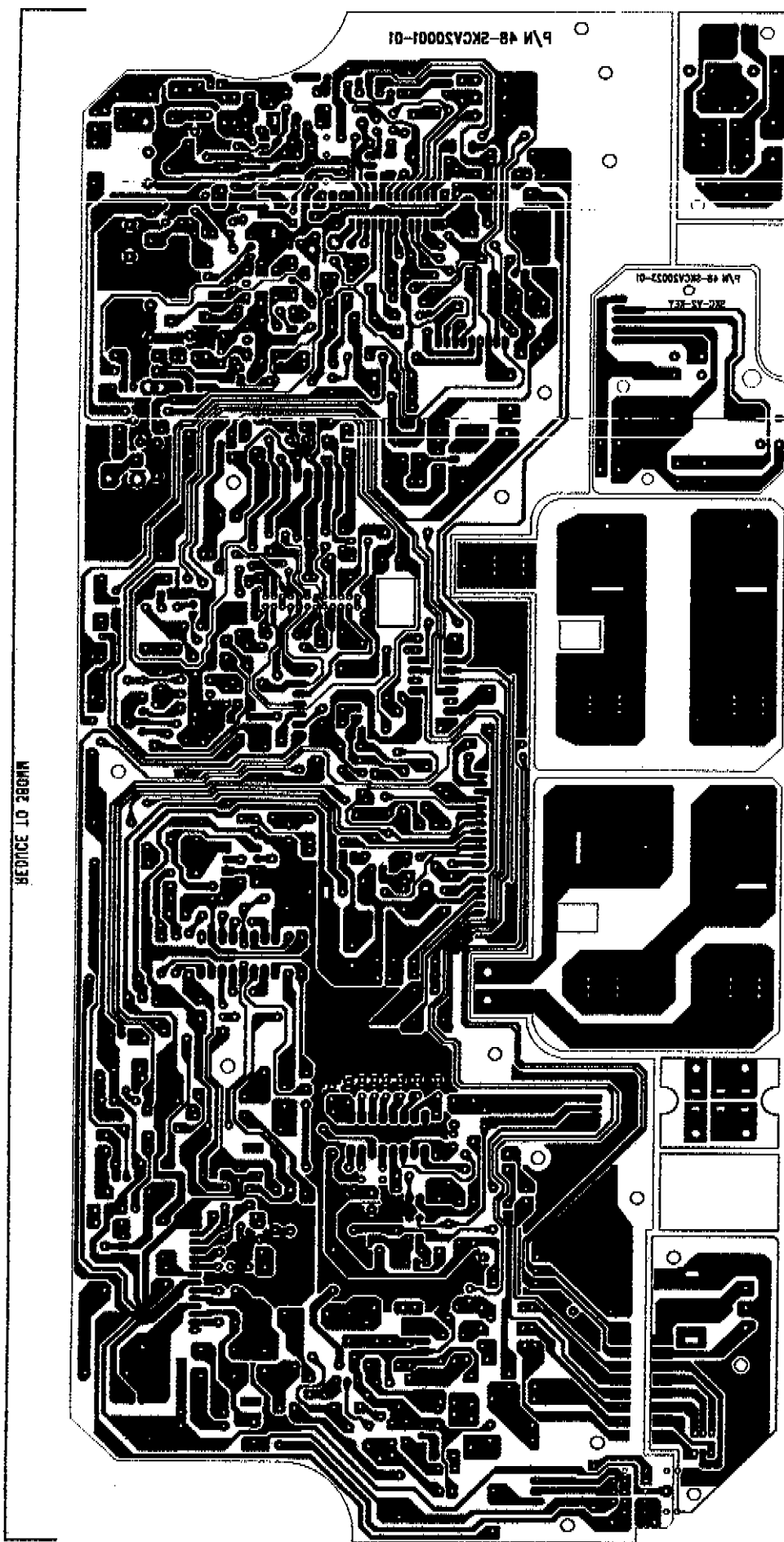


BLOCK DIAGRAM



WIRING DIAGRAM

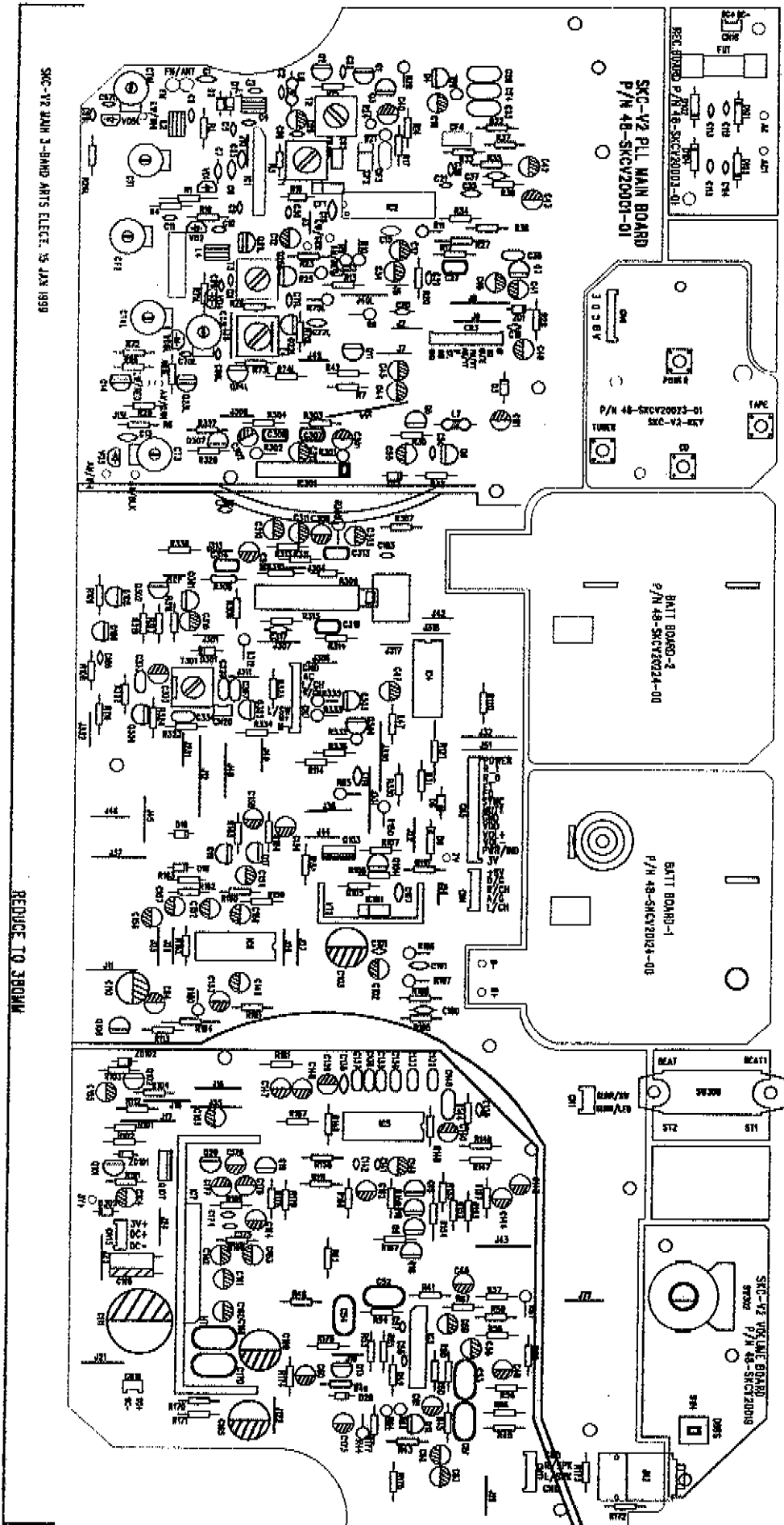


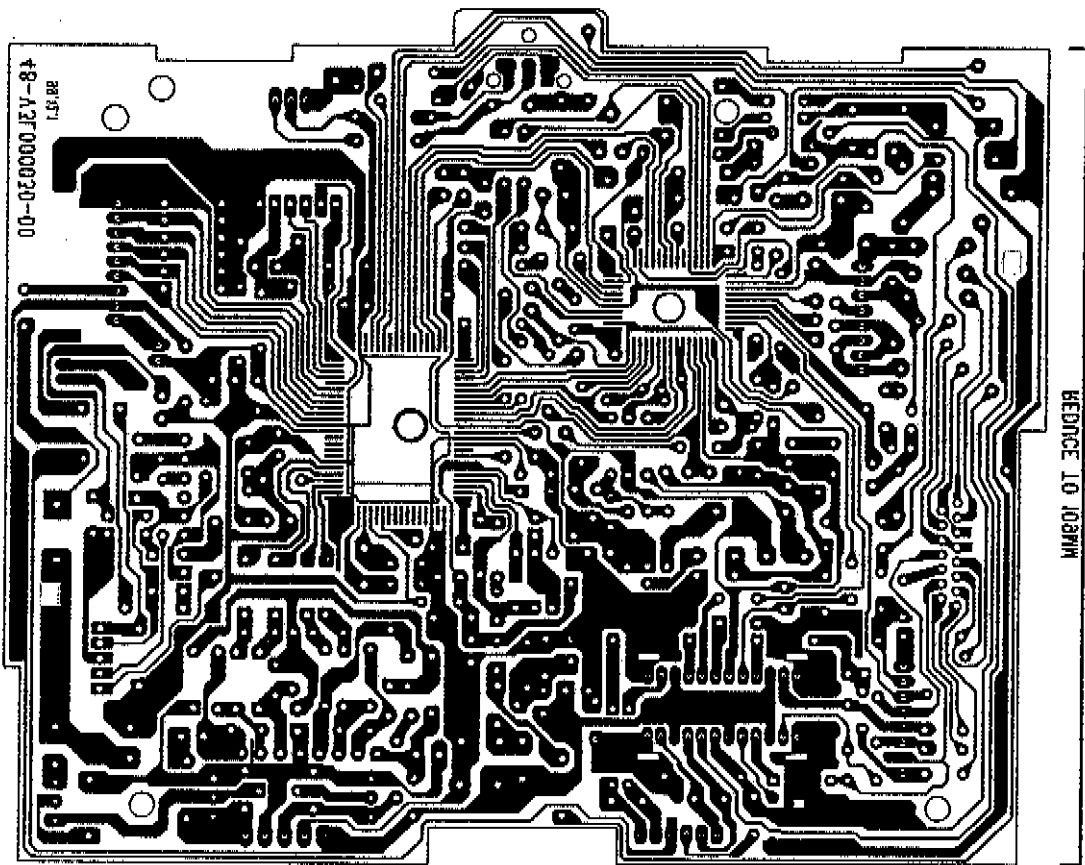


REVISED LOT 2880M

P/N 48-2KCA30001-01

P/N 48-2KCA30003-01

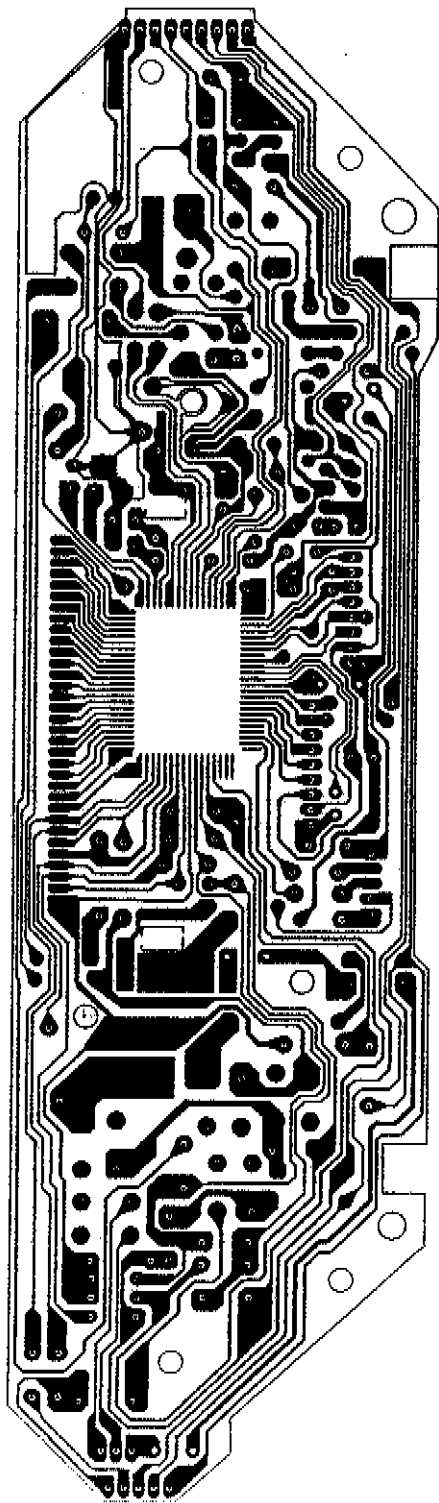


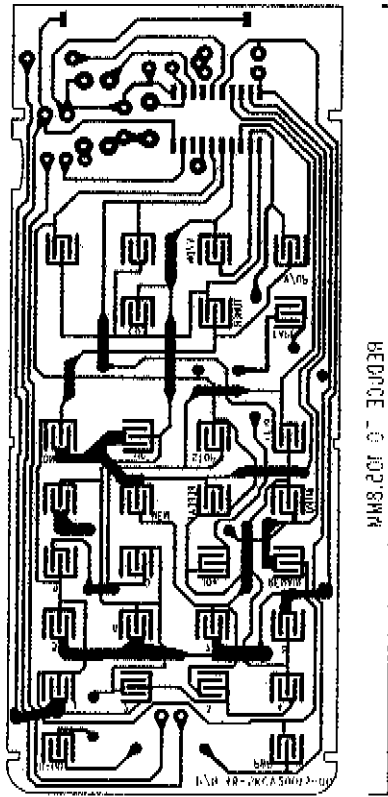


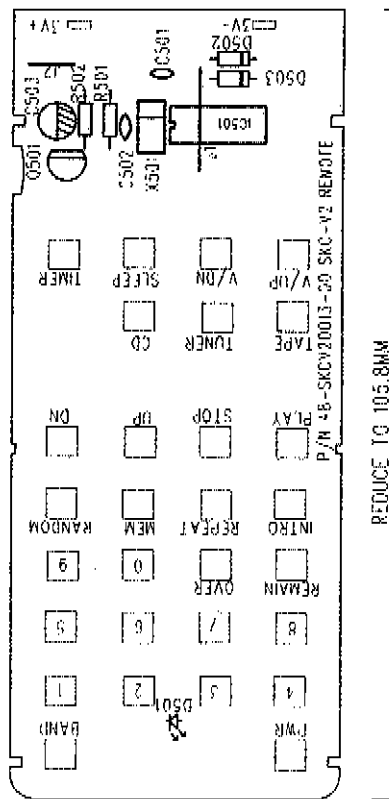
COPPER SIDE
REDUCE TO 108MM

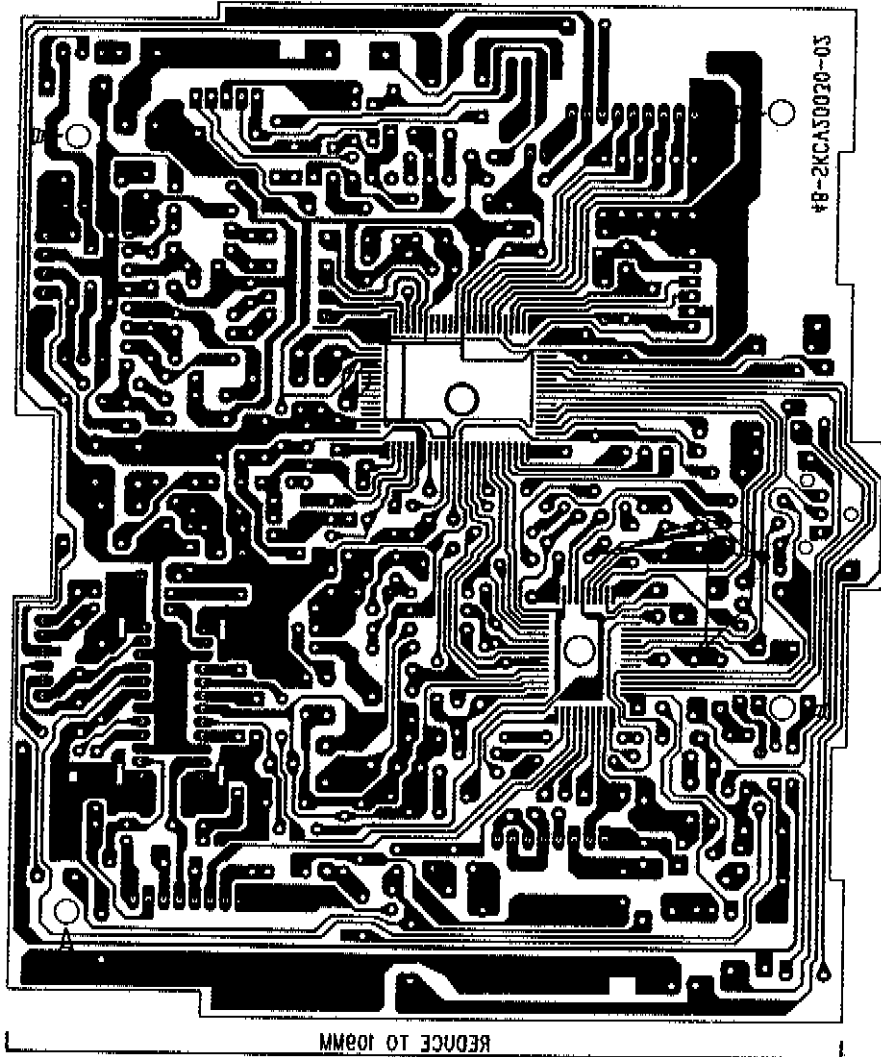
VR12 EFFECT 3000 Q1 5B

88 971
48-A27000020-00



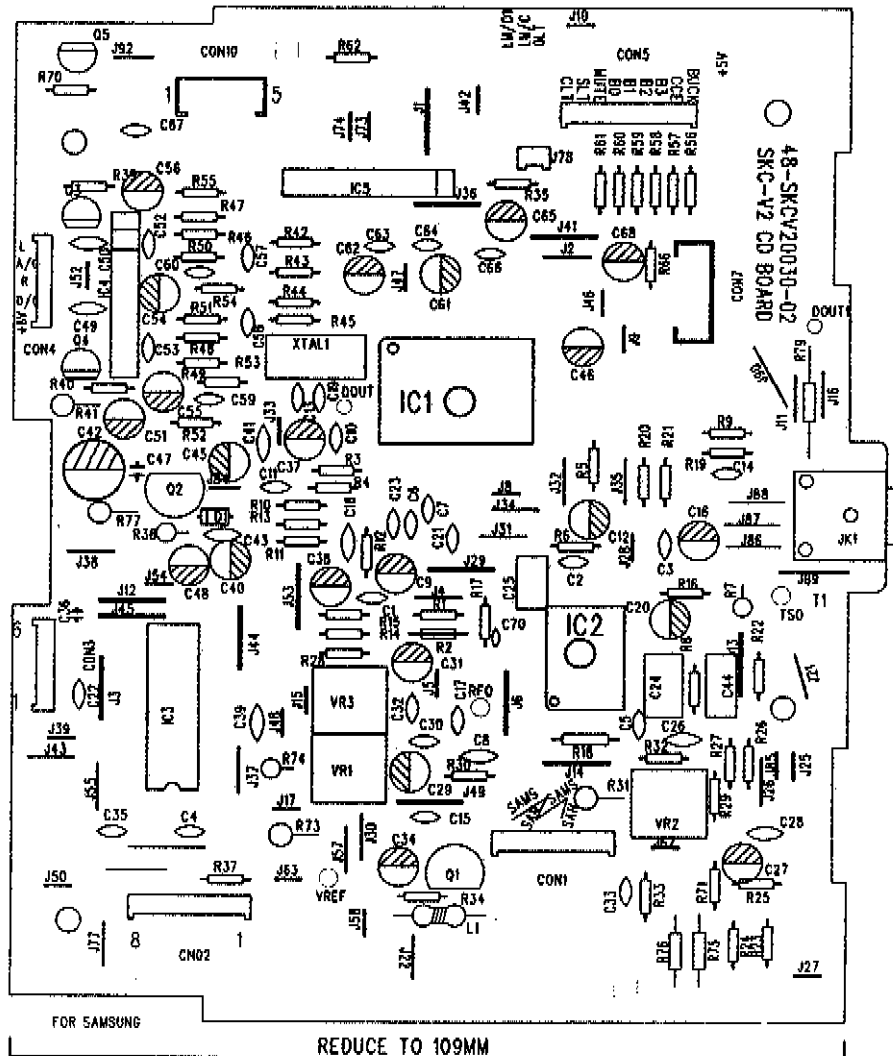




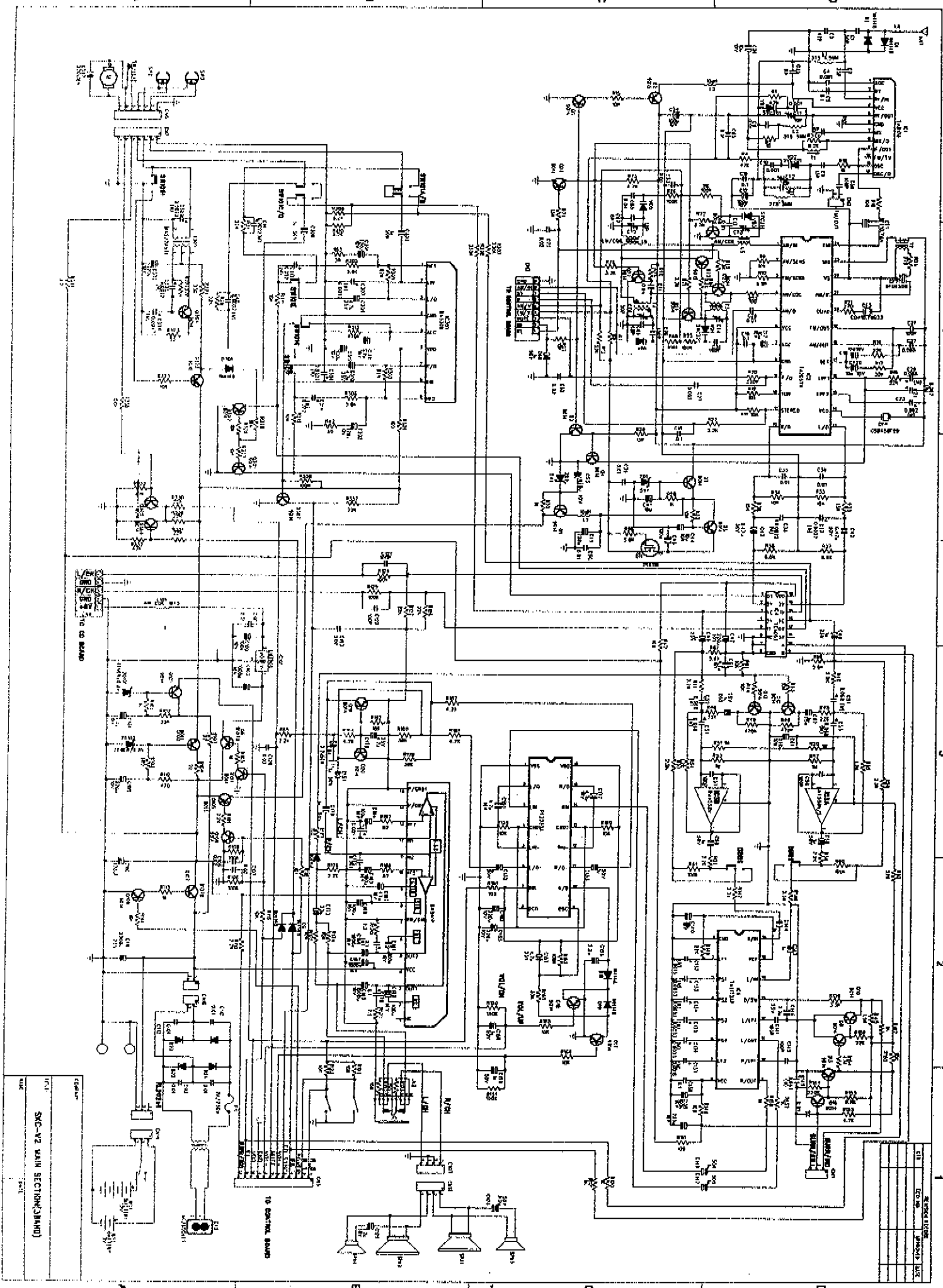


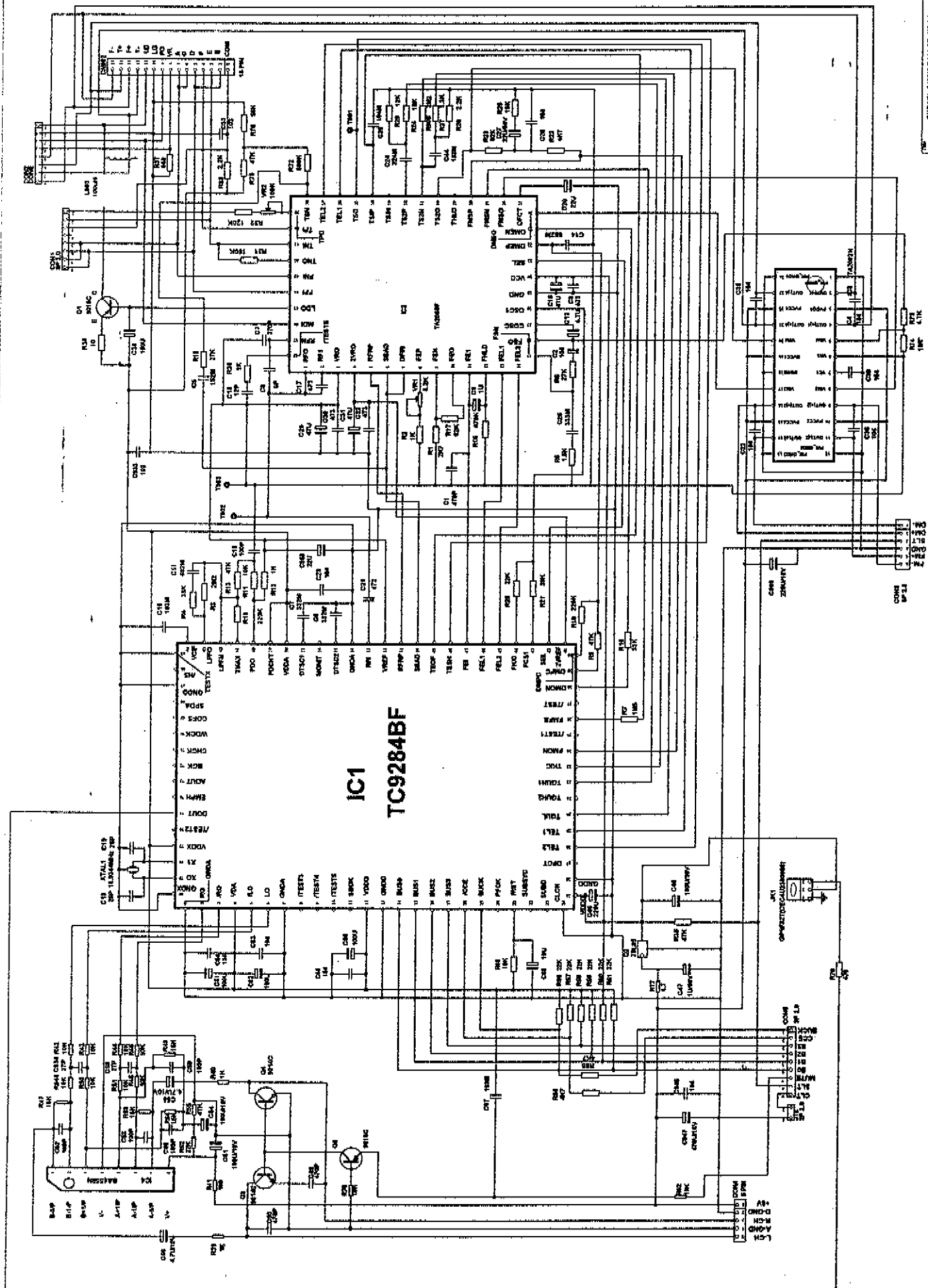
#B-2KCA30020-03

ARTS ELECT. 23 MAY 66
COPPER SIDE
REDUCE TO 100MM

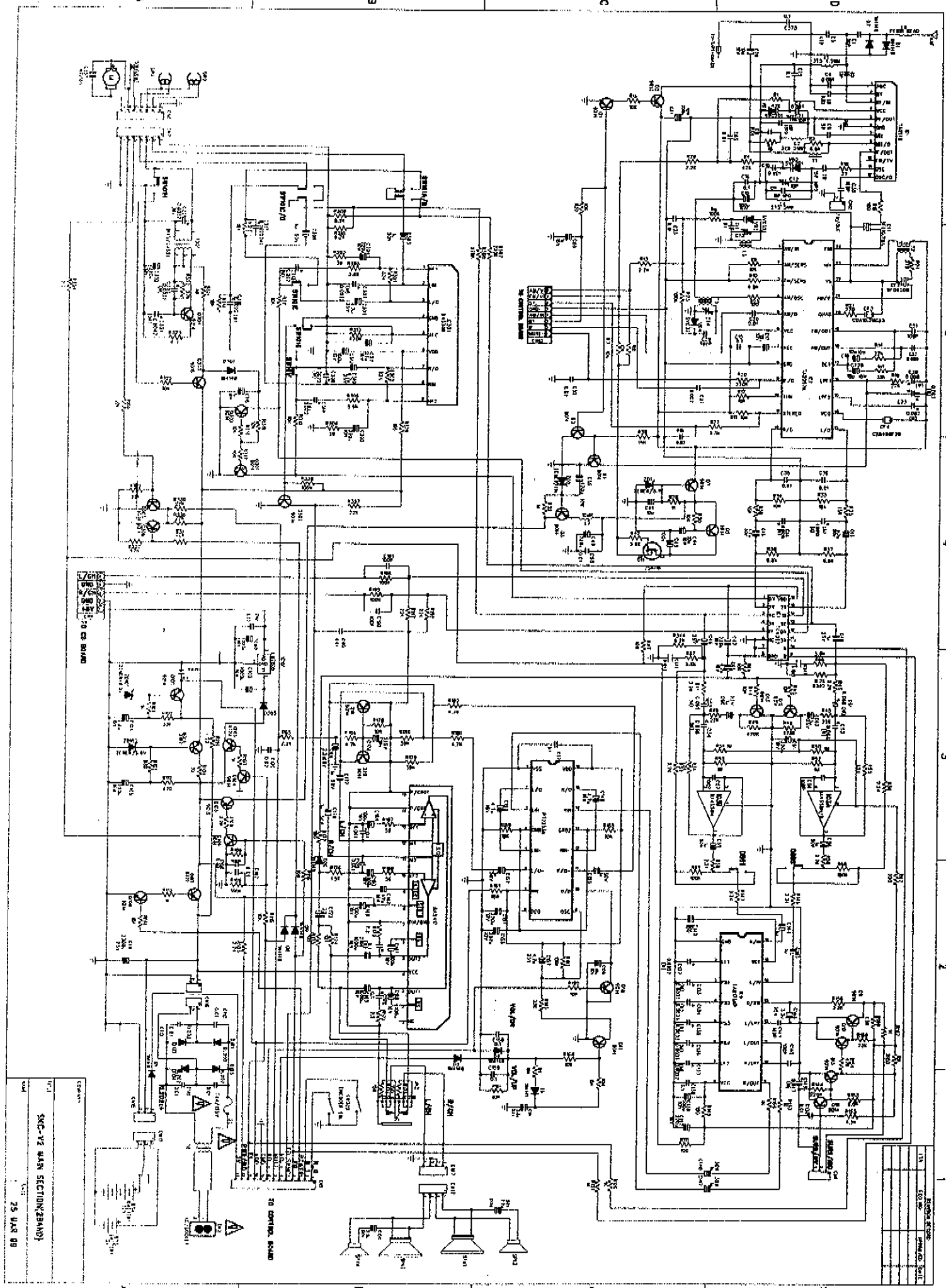


ARTS ELECT. 27 MAY 99

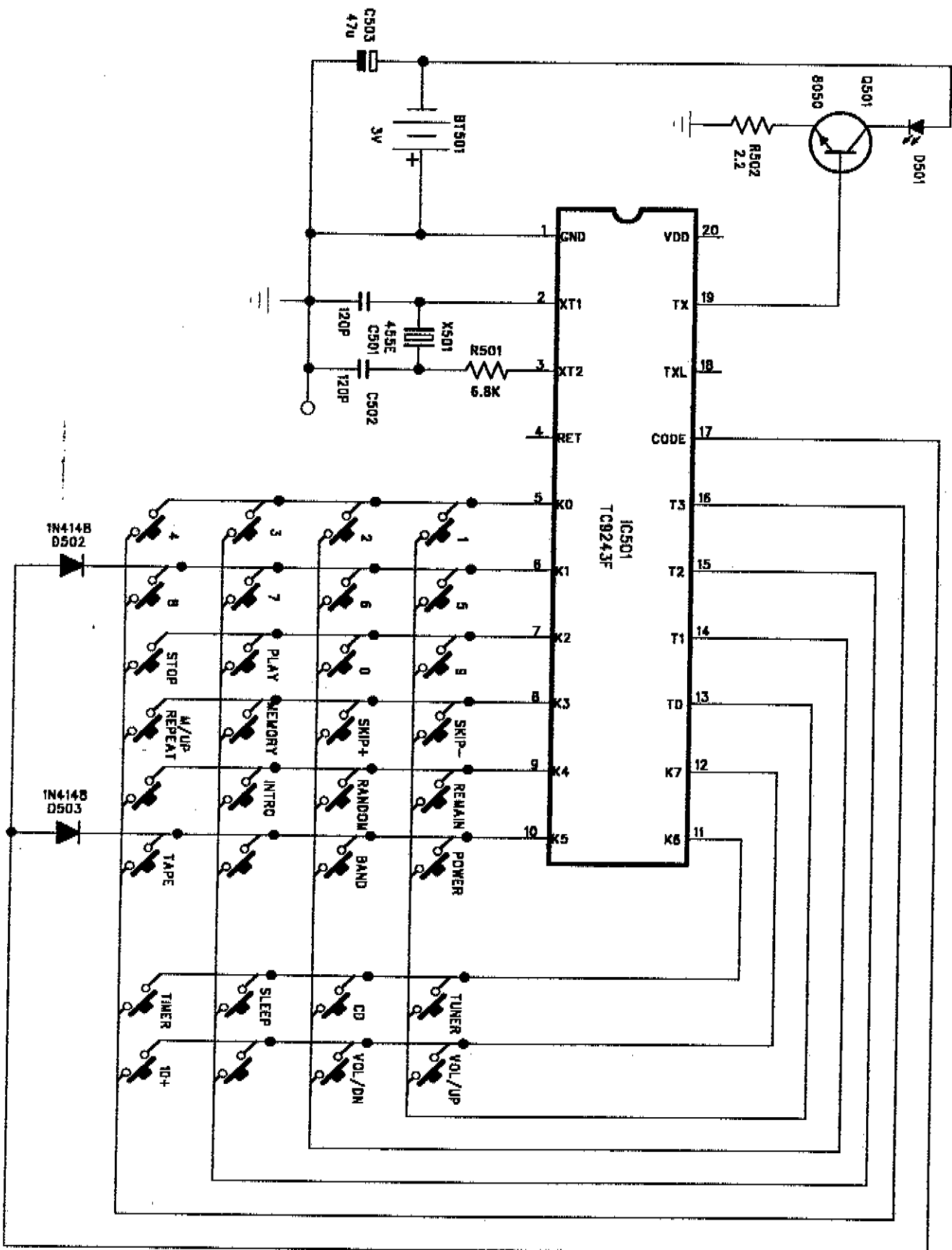


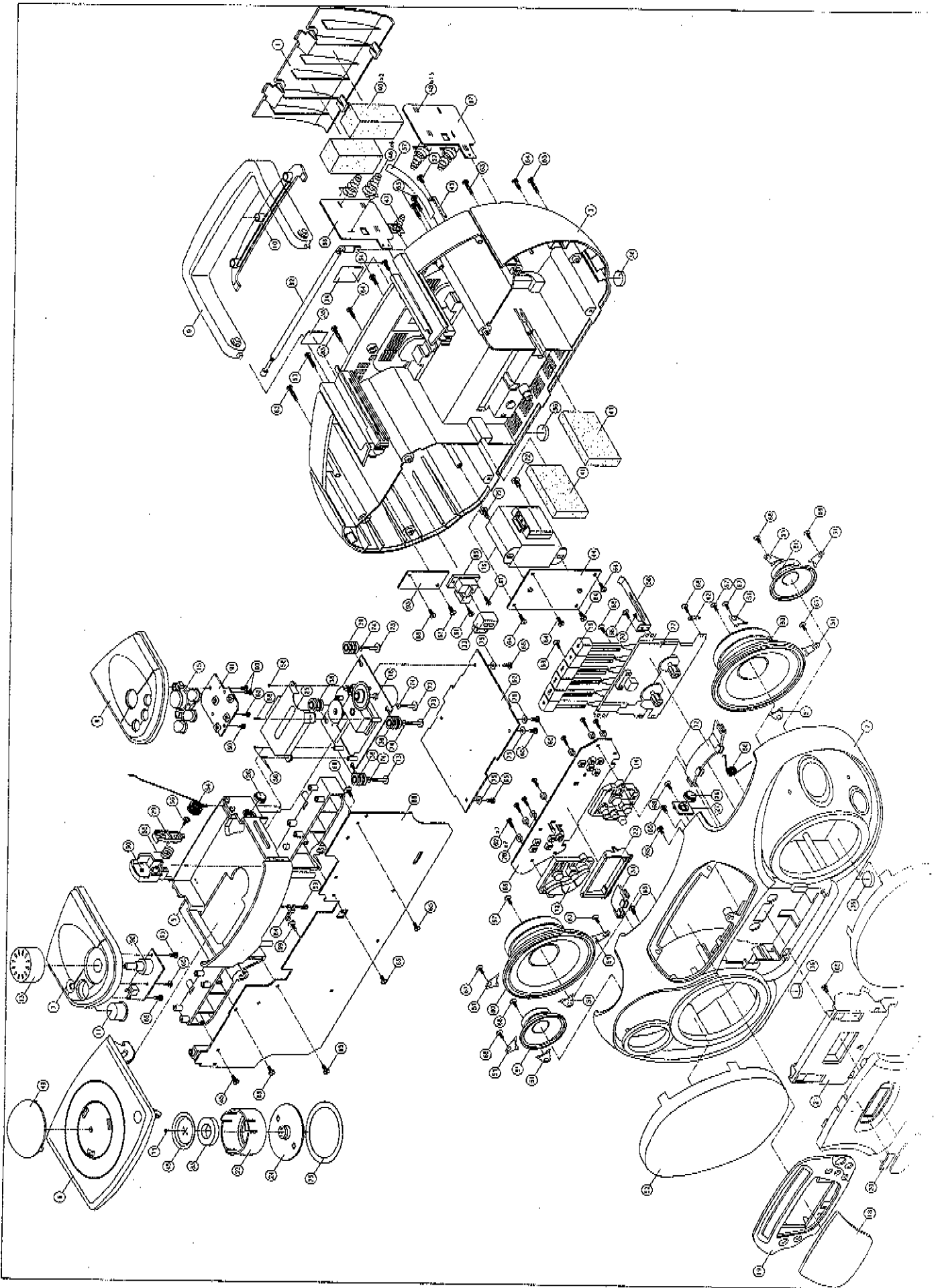


IC1
TC9284BF



SHEET NO. 25
 25 JAN 68
 SMC-12 MAIN SECTION (SHAND)
 25 JAN 68





EXPLODED VIEW PARTS LIST

ITEM	PART NO.	DESCRIPTION	ITEM	PART NO.	DESCRIPTION
1	56-06V2L00A1-10	BATTERY DOOR	48	44-102340110-00	BARE WIRE
2	56-04V2L00A1-20	FRONT CABINET	49	61-68V300000-00	CD DOOR PLATE
3	56-05V2L00A1-20	REAR CABINET	50	61-80SKCV200-00	RECORD SHAFT
4	56-13V2L00A1-20	CASS DOOR	51	61-90SKCV200-00	SPEAKER CLIP
5	56-22000V200-BA	CD BRACKET	52	61-91V2L0061-00	SPEAKER GRILL (L)
6	56-14V2L00A1-10	CD DOOR	53	61-91V2L0161-00	SPEAKER GRILL (R)
7	56-22V2L0061-20	TOP COVER -L	54	61-94SKCV200-02	SPRING (1) - CD DOOR
8	56-22V2L0161-20	TOP COVER -R	55	61-94SKCV210-02	SPRING (1) - CD HOOK REV2
9	56-41V2L00A1-10	HANDLE	56	61-94SKCV220-02	SPRING - CASS DOOR REV2
10	56-41V2L01A1-10	HANDLE COVER	57	66-220300831-00	MACHINE SCREW MS/BH 3x8
11	56-54V2L00A1-10	DBBS KNOB	58	66-421200611-00	SELF-TAPPING SCREW TA/BH 2x6 (BLACK)
12	56-54V2L01A1-10	BAND KNOB	59	66-421201011-00	SELF-TAPPING SCREW TA/BH 2x10 (BLACK)
13	56-54V2L02A1-10	VOL. KNOB	60	66-421260831-00	SELF-TAPPING SCREW TA/BH 2.6x8
14	56-53V2L00A1-10	CD KNOB	61	66-421261031-00	SELF-TAPPING SCREW TA/BH 2.6x10
15	56-54V2L03A1-10	POWER KNOB	62	66-421261231-00	SELF-TAPPING SCREW TA/BH 2.6x12
16	56-55V2L00A1-10	CASS. KNOBS	63	66-421302031-00	SELF-TAPPING SCREW TA/BH 3x20
17	56-57V2L0200-40	CASS. LENS	64	66-422301231-00	SELF-TAPPING SCREW TB/BH 3x12
18	56-57V2L0100-40	DISPLAY LENS	65	66-431301031-00	SELF-TAPPING SCREW TA/PH 3x10
19	56-69V2L00A1-20	FRONT PLATE	66	66-481260831-00	SELF-TAPPING SCREW TA/WH 2.6x8
20	56-22000V230-BA	BATTERY COVER	67	66-481260831-00	SELF-TAPPING SCREW TA/WH 2.6x12
21	56-07000V200-BA	CASS BRACKET	68	66-481300831-00	SELF-TAPPING SCREW TA/WH 3x8
22	56-07000V230-BA	DISPLAY BRACKET	69	66-481301231-00	SELF-TAPPING SCREW TA/WH 3x12
23	56-07000V240-BA	CD CLAMPER HOLDER	70	66-520200331-00	TAP TITE SCREW TT/BH 2x3
24	56-160D66P00-BA	MAGNET CAP BOTTOM	71	66-520200411-00	TAP TITE SCREW TT/BH 2x4 (BLACK)
25	56-220066000-BA	LASER DUST COVER	72	66-542400631-00	SCR 5-TPG (NEAT) TT/TH 4x6
26	56-240Z24100-BA	GEAR	73	66-910001721-00	SHOULDER SCREW
27	56-240Z24110-BA	HOLDER GEAR	74	68-012006037-00	METAL WASHER 2x6x0.3mm
28	56-62V200080-10	SPACER	75	68-023008082-00	FIBRE WASHER 3.0x8.0x0.8mm
29	56-64000V200-BA	HOOK - CD DOOR	76	68-085466049-01	FELT WASHER 54x66x0.4mm
30	56-64000V210-BA	HOOK HOLDER	77	71-27V074900-26	V/CASS DECK
31	56-69000V200-BA	PLATE -1	78	71-70CMSA30U-00	CD MECHANISM
32	56-69000V210-BA	PLATE -2	79	18-2575V2000-17	TRANSFORMER
33	56-810000000-AA	AC SOCKET COVER	80	19-820551265-32	SPEAKER 4" 7W 3.2 OHM MAGNET 65mm
34	57-08SKCV201-07	MASK PLATE -1 (27x23x0.5mm)	81	19-821051032-08	SPEAKER 2" 5W 8 OHM MAGNET 32mm
35	57-08SKCV211-07	PVC PLATE -2 (17.8x24.8x0.5mm)	82	32-100000009-02	ANTENNA
36	58-26SKCV200-00	HARD RUBBER FOOT	83	32-516300500-00	MAGNET DIA 16x30x5mm
37	58-51SCD6601-00	BATTERY RIBBON	84	41-061100000-0L	LEAF SWITCH
38	58-61AC13000-00	SHOCK ABSORBER (ORANGE)	85	43-520115020-01	AC SOCKET
39	58-61AC13001-00	SHOCK ABSORBER (BROWN)	86	48-SKCV20124-04	BATT. PCB
40	58-82SKCV200-00	BATTERY SPONG 55x25x25mm	87	48-SKCV20224-04	BATT. PCB
41	58-82SKCV210-00	SPONGE 70x40x10mm	88	01-V2L000001-00	MAIN BOARD ASS'Y AM/FM
42	61-870033140-00	LUG (SOLDERING)	89	01-V2L000005-10	CONTROL & DISPLAY BOARD ASS'Y
43	61-04SKCV200-00	ANTENNA CONTACT PLATE	90	01-SKCV20802-00	VOLUME BOARD ASS'Y
44	61-11SKCV200-01	TRANS. BRACKET (90x58x1.5mm)	91	01-SKCV20803-00	KEY BOARD ASS'Y
45	61-160066000-00	MAGNET CAP TOP	92	01-SKCV20804-00	CD BOARD ASS'Y
46	61-26SKCV200-01	BATTERY SPRING (-)	93	01-SKCV20805-00	RECTIFIER BOARD ASS'Y
47	61-26TX44001-00	BATTERY SPRING (-) (B)			

REPLACEMENT PARTS LIST

REF NO.	PART NO.	DESCRIPTION	
	01-SKCV20B02-00	VOLUME BOARD ASS'Y	SKC-V2
: SW302	22-100042000-13	ROTARY VOLUME (POLYSHINE)	F-162KP-1-16LS L20Fx12 360C
	41-192203000-0V	PUSH SWITCH (COMAX)	PS-2203-LS
	44-102440110-0A	BARE WIRE	dia 0.5mm L=40mm
: FOR CN55H	44-402605056-06	FLAT CABLE WIRE 6P	4+4+2+4mm AWG26 UL2468 P=2.5mm
	48-SKCV20019-04	VOL. PCB #SKC-V2	#48-SKCV20019-04
	01-SKCV20B03-00	KEY BOARD ASS'Y	SKC-V2
: TUNER/CD/POWER	41-151100000-0V	TACT SWITCH (COMAX)	RS-014R81 (H=5mm F=160+30gf)
: TAPE TACT SWITCH	41-151100005-B3	TACT SWITCH (LUP FUNG)	TS-065002-150
: CN6	43-9B2501051-00	WAFER 3 PINS P=2.5mm 90C	
: FOR TAPESW TO 8 OHM 5W SPEAKER GND	44-302616200-41	STRAND JUMPER WIRE UL1007	AWG26 4+152+4mm (BLACK)
	48-SKCV20023-04	KEY PCB #SKC-V2	#48-SKCV20023-04
	01-SKCV20B04-00	CD BOARD ASS'Y	SKC-V2
: Q3,4	11-9014C0001-00	TRANSISTOR	9014C
: Q1,5	11-9015C0001-00	TRANSISTOR	9015C
: IC4	16-BA4558N00-01	IC (ROHM)	BA4558N
: Q2	16-LM78L0500-04	IC	LM78L05
rand Name : "AKAI AJ-C2500"	0-V2L000115-00	Description: AM/FM ST.CASS RADIO(PLL	pecification: 230V CE APP (UNIT:SIL.+
: IC2	16-TA2065F00-09	IC (TOSHIBA)	TA2065F
: IC3	16-TA2092N00-04	IC.POWER DRIVER (TOSHIBA)	TA2092N
: IC1	16-TC9284BF0-09	IC (TOSHIBA)	TC9284BF
: R34	21-212103000-00	RESISTOR CARBON FILM +-5%	10 OHM 1/6W
: R41	21-213103000-00	RESISTOR CARBON FILM +-5%	100 OHM 1/6W
: R37	21-213223000-00	RESISTOR CARBON FILM +-5%	220 OHM 1/6W
: R12,30,39,40,2	21-214103000-00	RESISTOR CARBON FILM +-5%	1K OHM 1/6W
: R33,5	21-214223000-00	RESISTOR CARBON FILM +-5%	2.2K OHM 1/6W
: R1	21-214273000-00	RESISTOR CARBON FILM +-5%	2.7K OHM 1/6W
: R26,27	21-214333000-00	RESISTOR CARBON FILM +-5%	3.3K OHM 1/6W
: R22,73	21-214473000-00	RESISTOR CARBON FILM +-5%	4.7K OHM 1/6W
: R11,62,70,24,42,13,74	21-215103000-00	RESISTOR CARBON FILM +-5%	10K OHM 1/6W
R43,44,45,46,48,50,51,66			
: R29,18	21-215123000-00	RESISTOR CARBON FILM +-5%	12K OHM 1/6W
: R25,47,49,53,54	21-215153000-00	RESISTOR CARBON FILM +-5%	15K OHM 1/6W
rand Name : "AKAI AJ-C2500"	0-V2L000115-00	Description: AM/FM ST.CASS RADIO(PLL	pecification: 230V CE APP (UNIT:SIL.+
: R21,56,57,58,59,60,61,52,4	21-215223000-00	RESISTOR CARBON FILM +-5%	22K OHM 1/6W
: R6	21-215273000-00	RESISTOR CARBON FILM +-5%	27K OHM 1/6W
: R16,14	21-215333000-00	RESISTOR CARBON FILM +-5%	33K OHM 1/6W
: R76,20	21-215393000-00	RESISTOR CARBON FILM +-5%	39K OHM 1/6W
: R9,23,35,55	21-215473000-00	RESISTOR CARBON FILM +-5%	47K OHM 1/6W
: R75	21-215683000-00	RESISTOR CARBON FILM +-5%	68K OHM 1/6W
: R17	21-215823000-00	RESISTOR CARBON FILM +-5%	82K OHM 1/6W
: R32	21-216123000-00	RESISTOR CARBON FILM +-5%	120K OHM 1/6W
: R31	21-216183000-00	RESISTOR CARBON FILM +-5%	180K OHM 1/6W
: R10,19	21-216223000-00	RESISTOR CARBON FILM +-5%	220K OHM 1/6W
: R15	21-216473000-00	RESISTOR CARBON FILM +-5%	470K OHM 1/6W
: R71	21-216683000-00	RESISTOR CARBON FILM +-5%	680K OHM 1/6W
: R7	21-217153000-00	RESISTOR CARBON FILM +-5%	1.5M OHM 1/6W
: R3,8	21-217223000-00	RESISTOR CARBON FILM +-5%	2.2M OHM 1/6W
rand Name : "AKAI AJ-C2500"	0-V2L000115-00	Description: AM/FM ST.CASS RADIO(PLL	pecification: 230V CE APP (UNIT:SIL.+
: R77	21-221473000-00	RESISTOR CARBON FILM +-5%	4.7 OHM 1/4W
: VR1	23-112343005-06	SEMI-FIXED (6mm) (WELTRONIC)	3KN #637A
: VR2	23-112361005-06	SEMI-FIXED (6mm) (WELTRONIC)	100KN #637A
: C8	25-116070300-00	CERAMIC CAP DISC TYPE +-0.5PF	6PF 50V
: C15	25-122210300-00	CERAMIC CAP DISC TYPE +-5%	22PF 50V
: C57,58	25-122710300-00	CERAMIC CAP DISC TYPE +-5%	27PF 50V
: C18,52,53,59,60	25-131010300-00	CERAMIC CAP DISC TYPE +-5%	100PF 50V
: C49,50,1	25-134710300-00	CERAMIC CAP DISC TYPE +-5%	470PF 50V
: C70	25-141040300-00	CERAMIC CAP DISC TYPE +80%-20%	0.001UF 50V
: C21	25-144740300-00	CERAMIC CAP DISC TYPE +80%-20%	0.0047UF 50V
: C33	25-151040300-00	CERAMIC CAP DISC TYPE +80%-20%	0.01 UF 50V
: C3,17,30,32	25-154740300-00	CERAMIC CAP DISC TYPE +80%-20%	0.047UF 50V
: C2,4,22,26,35,36,39	25-161040200-00	CERAMIC CAP DISC TYPE +80%-20%	0.1UF 25V
C63,64,66,23,41			
: C13,19	25-222510300-00	CERAMIC CAP DISC TYPE (NPO)	25PF 50V +-5%
	0-V2L000115-00	Description: AM/FM ST.CASS RADIO(PLL	
: C5	25-341520300-00	MYLAR CAP +-10%	0.0015UF 50V
: C6,7	25-343320300-00	MYLAR CAP +-10%	0.0033UF 50V
: C11	25-345620300-00	MYLAR CAP +-10%	0.0056UF 50V
: C14	25-346820300-00	MYLAR CAP +-10%	0.0068UF 50V
: C10,67	25-351020300-00	MYLAR CAP +-10%	0.01UF 50V
: C44	25-351520300-00	MYLAR CAP +-10%	0.015UF 50V

: C26	25-352720300-00	MYLAR CAP +-10%	0.027UF 50V
: C25	25-353320300-00	MYLAR CAP +-10%	0.033UF 50V
: C24	25-362220300-00	MYLAR CAP +-10%	0.22UF 50V
: C9,47	26-321030500-00	ELECT CAP (RADIAL)	1UF 50V +-20% (NORMAL SIZE)
: C12	26-324730500-00	ELECT CAP (RADIAL)	4.7UF 50V +-20% (NORMAL SIZE)
: C55,56	26-324730501-00	ELECT CAP	4.7UF 50V +-20% (4x7mm)
: C20,37,68	26-331030500-00	ELECT CAP (RADIAL)	10UF 50V +-20% (NORMAL SIZE)
: C27	26-332230300-00	ELECT CAP (RADIAL)	22UF 25V +-20% (NORMAL SIZE)
	0-V2L000115-00	Description: AM/FM ST.CASS RADIO(PLL	
: C16,29,31,38	26-334730300-00	ELECT CAP (RADIAL)	47UF 25V +-20% (NORMAL SIZE)
: C34,45,51,54,51,62,65	26-341030100-00	ELECT CAP (RADIAL)	100UF 10V +-20% (NORMAL SIZE)
: C46,48	26-342230100-00	ELECT CAP (RADIAL)	220UF 10V +-20% (NORMAL SIZE)
: C42	26-344730100-00	ELECT CAP (RADIAL)	470UF 10V +-20% (NORMAL SIZE)
: >XTAL1	31-116935000-07	CRYSTAL (FARGO)	16.9344MHz HC-49/U
: L1	38-310002000-30	AXIAL INDUCTORS (EC-36 TYPE)	100UH +-10% (I _{dc} max:275 mA)
: CN.	43-9A2001021-00	WAFER 2 PINS P=2mm 180C	
: CN3	43-9A2001051-00	WAFER 6 PINS P=2mm 180C	
: CN01.02.	43-9A2001081-00	WAFER 8 PINS P=2mm 180C	
: CON5	43-9A2001091-00	WAFER 9 PINS P=2mm 180C	
: J1-55	44-102440110-0A	BARE WIRE	dia 0.5mm L=40mm
R2			
: CON4	44-512810255-A0	5P WIRE SINGLE HOUSING UL1571	AWG28 P=2.0mm L=160mm
	48-SKCV20030-02	CD PCB #SKC-V2	#48-SKCV20030-02
	01-SKCV20B05-00	RECTIFIER BOARD ASSY	SKC-V2
: D101,102,103,104	15-0000RL202-00	RECTIFIER DIODE	RL-202
: C112,113,114,115	25-151040300-00	CERAMIC CAP DISC TYPE +80%-20%	0.01 UF 50V
rand Name : "AKAI AJ-C2500"	0-V2L000115-00	Description: AM/FM ST.CASS RADIO(PLL	pecification: 230V CE APP (UNIT:SIL.+
: CN18	44-522219252-G1	2P WIRE(#22UL1007) W/SINGLE	HOUSING(2.5mm) L=190mm
	48-400D05200-00	FUSE HOLDER (PAK HOP)	D-052
	47-301050102-10	UL TUBE	I.D. 1x0.5x10mm
: FOR REC PCB 2PIN WIRE	47-304051602-10	UL TUBE	I.D. 4x0.5x160mm
	48-SKCV20003-04	RECTIFIER PCB #SKC-V2	#48-SKCV20003-04
	01-V2L000001-00	MAIN BOARD ASSY AM/FM	#SKC-V2L (UL VERSION)
: Q1,3,4,7,8,9,10,12,13,15,16,17	11-9014C0001-00	TRANSISTOR	9014C
Q18,19,101,102,104,106,20			
Q108,301,302,304,305,306,307			
: Q2,105,308	11-9015C0001-00	TRANSISTOR	9015C
: Q107,103	11-K5B772Y02-01	TRANSISTOR (SAMSUNG)	K5B772YS
: ZD2	12-111203100-00	ZENER DIODE +-5%	11V 1/2W
: ZD1	12-151103100-07	ZENER DIODE +-5% (ROHM)	5.1V 1/2W
: ZD102	12-168103200-00	ZENER DIODE +-5%	6.8V 1/2W
: ZD101	12-362103104-07	ZENER DIODE +-5% (ROHM)	6.2V 1/2W (TAPING)
: D305	15-0001N4001-00	RECTIFIER DIODE	1N4001
: D1.2.3.6.7.8.9.	15-0001N4148-00	SWITCHING DIODE	1N4148 (LEAD TYPE)
D20,301.5.302			
rand Name : "AKAI AJ-C2500"	0-V2L000115-00	Description: AM/FM ST.CASS RADIO(PLL	pecification: 230V CE APP (UNIT:SIL.+
: VD1,2	15-SVC201SPA-11	VARACTOR DIODE (SANYO)	SVC201SPA
: VD3,4	15-SVC321SPA-11	VARACTOR DIODE (SANYO)	SVC321SPA
: IC301	16-BA3308000-02	IC.PRE.AMP (ROHM)	BA3308
: IC3	16-BA4558N00-01	IC (ROHM)	BA4558N
: IC7	16-BA5417000-01	IC (ROHM)	BA5417
	16-KA7808000-12	IC (SAMSUNG)	KA7808
: IC10	16-PT2253AC0-00	IC (ANGUS)	PT2253AC
: IC2	16-TA2057N00-04	IC (TOSHIBA)	TA2057N
: IC5	16-TA8173AP0-00	IC (TOSHIBA)	TA8173AP
: IC1	16-TA8176SN0-16	IC (TOSHIBA)	TA8176SN
: IC4	16-TC4052BP0-04	IC (TOSHIBA)	TC4052BP
: R61	21-216103000-00	RESISTOR CARBON FILM +-5%	100K OHM 1/6W
: R170,171,334	21-221223000-00	RESISTOR CARBON FILM +-5%	2.2 OHM 1/4W
: R323	21-221473000-00	RESISTOR CARBON FILM +-5%	4.7 OHM 1/4W
: R2,18	21-222103000-00	RESISTOR CARBON FILM +-5%	10 OHM 1/4W
rand Name : "AKAI AJ-C2500"	0-V2L000115-00	Description: AM/FM ST.CASS RADIO(PLL	pecification: 230V CE APP (UNIT:SIL.+
: R104,191	21-222223000-00	RESISTOR CARBON FILM +-5%	22 OHM 1/4W
: R303,304	21-222393000-00	RESISTOR CARBON FILM +-5%	39 OHM 1/4W
: R16,168,169	21-222563000-00	RESISTOR CARBON FILM +-5%	56 OHM 1/4W
: R324	21-222683000-00	RESISTOR CARBON FILM +-5%	68 OHM 1/4W
: R23,47,111,148,161,329	21-223103000-00	RESISTOR CARBON FILM +-5%	100 OHM 1/4W
: R172,173	21-223153000-00	RESISTOR CARBON FILM +-5%	150 OHM 1/4W
: R62	21-223223000-00	RESISTOR CARBON FILM +-5%	220 OHM 1/4W
: R21	21-223273000-00	RESISTOR CARBON FILM +-5%	270 OHM 1/4W
: R112	21-223473000-00	RESISTOR CARBON FILM +-5%	470 OHM 1/4W
: R24	21-223563000-00	RESISTOR CARBON FILM +-5%	560 OHM 1/4W
: R103	21-223683000-00	RESISTOR CARBON FILM +-5%	680 OHM 1/4W
: R28,32,101,107,113,120,121,157,158	21-224103000-00	RESISTOR CARBON FILM +-5%	1K OHM 1/4W
: R55,54	21-224123000-00	RESISTOR CARBON FILM +-5%	1.2K OHM 1/4W
: R166,176	21-224153000-00	RESISTOR CARBON FILM +-5%	1.5K OHM 1/4W

rand Name : "AKAI AJ-C2500"	0-V2L000115-00	Description: AM/FM ST.CASS RADIO(PLL	pecification: 230V CE APP (UNIT: SIL.+
: R40,41,56,57,58,59,65,109,13,29,10	21-224223000-00	RESISTOR CARBON FILM +-5%	2.2K OHM 1/4W
: R27,102,146,147,156	21-224333000-00	RESISTOR CARBON FILM +-5%	3.3K OHM 1/4W
: R181,182,194,178,155	21-224473000-00	RESISTOR CARBON FILM +-5%	4.7K OHM 1/4W
: R66,305,306,67	21-224563000-00	RESISTOR CARBON FILM +-5%	5.6K OHM 1/4W
: R37,38,153	21-224683000-00	RESISTOR CARBON FILM +-5%	6.8K OHM 1/4W
: R10,309,310,342,344	21-224823000-00	RESISTOR CARBON FILM +-5%	8.2K OHM 1/4W
: R7,8,11,12,15,22,30,33,34,44	21-225103000-00	RESISTOR CARBON FILM +-5%	10K OHM 1/4W
R114,115,116,152,159,160,174,165			
R175,311,312,316,317,319,325			
R177,31,330,336,340,164,64			
: R9	21-225123000-00	RESISTOR CARBON FILM +-5%	12K OHM 1/4W
: R35,36,39,3,341	21-225153000-00	RESISTOR CARBON FILM +-5%	15K OHM 1/4W
: R314,315	21-225183000-00	RESISTOR CARBON FILM +-5%	18K OHM 1/4W
: R14,19,45,46,187,198,197	21-225223000-00	RESISTOR CARBON FILM +-5%	22K OHM 1/4W
R337,333,335			
: R322	21-225273000-00	RESISTOR CARBON FILM +-5%	27K OHM 1/4W
: R17,163	21-225333000-00	RESISTOR CARBON FILM +-5%	33K OHM 1/4W
rand Name : "AKAI AJ-C2500"	0-V2L000115-00	Description: AM/FM ST.CASS RADIO(PLL	pecification: 230V CE APP (UNIT: SIL.+
: R179,180	21-225393000-00	RESISTOR CARBON FILM +-5%	39K OHM 1/4W
: R1,4,154,332	21-225473000-00	RESISTOR CARBON FILM +-5%	47K OHM 1/4W
: R301,302	21-225823000-00	RESISTOR CARBON FILM +-5%	82K OHM 1/4W
: R6,25,80,106,108,162,196,196,338,1	21-226103000-00	RESISTOR CARBON FILM +-5%	100K OHM 1/4W
: R20,144,307,308	21-226223000-00	RESISTOR CARBON FILM +-5%	220K OHM 1/4W
: R313	21-226473000-00	RESISTOR CARBON FILM +-5%	470K OHM 1/4W
: R48,49	21-226823000-00	RESISTOR CARBON FILM +-5%	820K OHM 1/4W
: R50,51,52,53	21-227103000-00	RESISTOR CARBON FILM +-5%	1M OHM 1/4W
: C6,379	25-115060300-00	CERAMIC CAP DISC TYPE +-0.25PF	5PF 50V
: C372	25-121210300-00	CERAMIC CAP DISC TYPE +-5%	12PF 50V
: C9	25-121510300-00	CERAMIC CAP DISC TYPE +-5%	15PF 50V
: C1	25-123010300-00	CERAMIC CAP DISC TYPE +-5%	30PF 50V
: C2	25-123310300-00	CERAMIC CAP DISC TYPE +-5%	33PF 50V
: C3,	25-124710300-00	CERAMIC CAP DISC TYPE +-5%	47PF 50V
rand Name : "AKAI AJ-C2500"	0-V2L000115-00	Description: AM/FM ST.CASS RADIO(PLL	pecification: 230V CE APP (UNIT: SIL.+
: C21,30,56,57,141,142,190,191	25-131010300-00	CERAMIC CAP DISC TYPE +-5%	100PF 50V
: C29	25-133910300-00	CERAMIC CAP DISC TYPE +-5%	390PF 50V
: C4,7,10,174,175	25-141040300-00	CERAMIC CAP DISC TYPE +80%-20%	0.001UF 50V
: C22	25-145040300-00	CERAMIC CAP DISC TYPE +80%-20%	0.005UF 50V
: C8,13,20,33,35,36,50	25-151040300-00	CERAMIC CAP DISC TYPE +80%-20%	0.01 UF 50V
C18,130,193,366			
: C5,32,101,106,107,119,90	25-152040300-00	CERAMIC CAP DISC TYPE +80%-20%	0.02UF 50V
: T1 GND TO T2 GND	25-154740300-00	CERAMIC CAP DISC TYPE +80%-20%	0.047UF 50V
: C15,16,25,138,159,370,371,373,376,	25-161040300-00	CERAMIC CAP DISC TYPE +80%-20%	0.1 UF 50V
: C11	25-221010300-00	CERAMIC CAP DISE TYPE (NPO)	10PF 50V +-5%
: C37,38	25-341510300-00	MYLAR CAP +-5%	0.0015UF 50V
: C27,307,308,329,333,316,317,132,13	25-342210300-00	MYLAR CAP +-5%	0.0022UF 50V
: C133,134,135,136	25-343310300-00	MYLAR CAP +-5%	0.0033UF 50V
: C334	25-344710300-00	MYLAR CAP +-5%	0.0047UF 50V
: C313,314	25-352210300-00	MYLAR CAP +-5%	0.022UF 50V
	0-V2L000115-00	Description: AM/FM ST.CASS RADIO(PLL	
: C145	25-354710300-00	MYLAR CAP +-5%	0.047 UF 50V
: C28,51,52,53,54	25-355810300-00	MYLAR CAP +-5%	0.068UF 50V
: C23,24	25-358210300-00	MYLAR CAP +-5%	0.082UF 50V
: C375,374,170,169	25-361010300-00	MYLAR CAP +-5%	0.1UF 50V
: C60,62,66,147	26-321030500-00	ELECT CAP (RADIAL)	1UF 50V +-20% (NORMAL SIZE)
C148,177,178,305,306,315			
: C46,48,58,59,143,144,152,153	26-3210305A0-02	ELECT CAP (RADIAL) "HI-Q" (LL)	1UF 50V +-20% l<0.01CV
: C64,CW1	26-322230500-00	ELECT CAP (RADIAL)	2.2UF 50V +-20% (NORMAL SIZE)
: C146,369	26-323330500-00	ELECT CAP (RADIAL)	3.3UF 50V +-20% (NORMAL SIZE)
: C63,150,157,309,310,42,43,149	26-324730500-00	ELECT CAP (RADIAL)	4.7UF 50V +-20% (NORMAL SIZE)
: C17,19,26,41,40,44,140,156	26-331030300-00	ELECT CAP (RADIAL)	10UF 25V +-20% (NORMAL SIZE)
: C173,311,104,176	26-332230300-00	ELECT CAP (RADIAL)	22UF 25V +-20% (NORMAL SIZE)
: C162	26-334730300-00	ELECT CAP (RADIAL)	47UF 25V +-20% (NORMAL SIZE)
: C139,312,45	26-341030100-00	ELECT CAP (RADIAL)	100UF 10V +-20% (NORMAL SIZE)
C12			
: C160,161,168,163,164	26-341030300-00	ELECT CAP (RADIAL)	100UF 25V +-20% (NORMAL SIZE)
rand Name : "AKAI AJ-C2500"	0-V2L000115-00	Description: AM/FM ST.CASS RADIO(PLL	pecification: 230V CE APP (UNIT: SIL.+
: C49,34,47,102,105,155,192,301,302,	26-342230200-00	ELECT CAP (RADIAL)	220UF 16V +-20% (NORMAL SIZE)
C154,21			
: C55	26-344730100-00	ELECT CAP (RADIAL)	470UF 10V +-20% (NORMAL SIZE)
: C103,165,166	26-351030200-00	ELECT CAP (RADIAL)	1000UF 16V +-20% (NORMAL SIZE)
: C111	26-353330300-00	ELECT CAP (RADIAL)	3300UF 25V +-20% NORMAL
: C T1,2,3,4	28-110110100-00	TRIMMER	DIA 3MM 10PF (SINGLE)
	31-210705100-01	CERAMIC FILTER (MURATA)	SFE10.7MA5-A (RED) (3PIN)
: CF2	31-215003015-01	CERAMIC FILTER (MURATA)	SFU450B
: CF4	31-345603023 01	CERAMIC RESONATOR (MURATA)	CSB 456F20

: CF3,	31-610705022-01	DISCRIMINATOR FILTER (MURATA)	CDA 10.7MG-33 (2 PIN)
	32-211801100-00	FERRITE BAR	SIZE:10x80mm
: L4	38-202510005-00	FM COIL	5 x 2.5T (0.8mm)
: L1	38-203510004-00	FM COIL	4.5 x 3.5T (0.8mm)
: L2	38-203510005-00	FM COIL	5 x 3.5T (0.8mm)
	38-206820000-00	AM COIL M7 AD/10.5mm	68:20T B.R.G=100mm W=130mm
: 7,6	38-301001000-30	AXIAL INDUCTORS (EC-36 TYPE)	10UH +/-10% (I _{dc} max:500 mA)
rand Name : "AKAI AJ-C2500"	0-V2L000115-00	Description: AM/FM ST.CASS RADIO(PLL	pecification: 230V CE APP (UNIT:SIL,+
: T3	40-0000660R2-18	I.F.T.10mm (KONI)	660R (RED)
: T2	40-0000A0494-18	I.F.T. 10mm (KONI)	A049 (YELLOW)
: T1	40-000106FP9-18	I.F.T. 10mm (KONI)	106FP (PINK)
: T301	40-621000100-08	I.F.T 10mm (KONI)	#621 (BLACK)
	41-198200300-0V	PUSH SWITCH (COMAX)	PS-82D03-NS(O) (F<200g)
	43-433802005-01	PHONE JACK W/SW (TAI CHUNG)	TC38-020-05-01
: CN3	43-9A2001091-00	WAFER 9 PINS P=2mm 180C	
: CN16,2	43-9A2501021-00	WAFER 2 PINS P=2.5mm 180C	
: CN15	43-9A2501031-00	WAFER 3 PINS P=2.5mm 180C	
: CN17	43-9A2501041-00	WAFER 4 PINS P=2.5mm 180C	
: CN7	43-9A2501071-00	WAFER 7 PINS P=2.5mm 180C	
: CN4	43-9B2001051-00	WAFER 5 PINS P=2mm 90C	
: CN5	43-9B2001131-00	WAFER 13 PINS P=2mm 90C	
: CN1	43-9B2501031-00	WAFER 3 PINS P=2.5mm 90C	
: FOR BATT PCB "+" x15	44-102340110-00	BARE WIRE	dia 0.6mm L=40mm
	44-102440110-0A	BARE WIRE	dia 0.5mm L=40mm
: FOR IC7 GND TO ICPT2253A GND	44-302620204-41	STRAND JUMPER WIRE UL1007	AWG26 4+192+4mm (YELLOW)
: FOR 3V TO 3V	44-302621202-41	STRAND JUMPER WIRE UL1007	AWG26 4+202+4mm (RED)
rand Name : "AKAI AJ-C2500"	0-V2L000115-00	Description: AM/FM ST.CASS RADIO(PLL	pecification: 230V CE APP (UNIT:SIL,+
: FOR AMM COIL	47-301050602-10	UL TUBE	I.D. 1x0.5x60mm
	48-SKCV20001-04	MAIN PCB #SKC-V2	#48-SKCV20001-04
	48-SKCV20124-04	BATT. PCB #SKC-V2	#48-SKCV20124-04
	48-SKCV20224-04	BATT. PCB #SKC-V2	#48-SKCV20224-04
	56-07000K500-00	BAR HOLDER H=22mm AD:10mm	#K5
	58-09KOPEN00-00	CABLE TIE 2.5MMx4" #CV-100	
: L2,4	58-82PR00200-00	SPONGE	10x10x10mm (WHITE)
: FOR BATTERY PCB "-" x4	61-26SKCV200-01	BATTERY SPRING (-)	#SKC-V2 (DIA 1.0mm)
	61-484000R01-00	PLATE HEATSINK	
: FOR IC 7	61-48SKCV200-00	HEAT SINK	#SKC-V2 (19+65+19)x34x2.0mm
: FOR IC7	66-522300931-03	SCREW	BTTB 3.0x8.0 MC
	66-760200451-00	EYELET	2x4mm
	01-V2L000005-10	CONTROL & DIS. BOARD ASS'Y	#SKC-V2L AM/FM (VDE VERSION)
: Q201,202,203,204	11-9014C0001-00	TRANSISTOR	9014C
: LED1	13-1MGB31D00-31	LED (MICRO) (GREEN)	MGB31D DIA:3.15mm L=27.9mm
: LED2	13-1MSC32D00-31	LED (MICRO) (RED)	MSC32D DIA:2.94mm
	13-LCDSKCV21-24	LCD DISPLAY (FORDIC)	A82063A 12 O'CLOCK
rand Name : "AKAI AJ-C2500"	0-V2L000115-00	Description: AM/FM ST.CASS RADIO(PLL	pecification: 230V CE APP (UNIT:SIL,+
: D221,204.FUNC.207,210,209,208,220,225,219,227,201,205,206,TO.T1,A0	15-0001N4148-00	SWITCHING DIODE	1N4148 (LEAD TYPE)
: IC201	16-TC9314F37-09	IC (TOSHIBA)	TC9314F-037KS
: U203	17-57138V400-02	OPTIC SENSER (ROHM)	RPM7138-V4
: R205	21-212473000-00	RESISTOR CARBON FILM +5%	47 OHM 1/6W
: R217	21-214183000-00	RESISTOR CARBON FILM +5%	1.8K OHM 1/6W
: R207	21-214223000-00	RESISTOR CARBON FILM +5%	2.2K OHM 1/6W
: R204	21-214273000-00	RESISTOR CARBON FILM +5%	2.7K OHM 1/6W
: R219	21-214473000-00	RESISTOR CARBON FILM +5%	4.7K OHM 1/6W
: R223,222	21-215103000-00	RESISTOR CARBON FILM +5%	10K OHM 1/6W
: R224	21-215153000-00	RESISTOR CARBON FILM +5%	15K OHM 1/6W
: R220,U203	21-215223000-00	RESISTOR CARBON FILM +5%	22K OHM 1/6W
: R203,206	21-215473000-00	RESISTOR CARBON FILM +5%	47K OHM 1/6W
: R218	21-217103000-00	RESISTOR CARBON FILM +5%	1M OHM 1/6W
: R221	21-217223000-00	RESISTOR CARBON FILM +5%	2.2M OHM 1/6W
rand Name : "AKAI AJ-C2500"	0-V2L000115-00	Description: AM/FM ST.CASS RADIO(PLL	pecification: 230V CE APP (UNIT:SIL,+
: C207,208,209	25-133310300-00	CERAMIC CAP DISC TYPE +5%	330PF 50V
: C210,222	25-151040300-00	CERAMIC CAP DISC TYPE +80%-20%	0.01 UF 50V
: C206,214,223,225	25-161040300-00	CERAMIC CAP DISC TYPE +80%-20%	0.1 UF 50V
: C201,202	25-222510300-00	CERAMIC CAP DISC TYPE (NPO)	25PF 50V +5%
: C224	25-662210200-00	MONO CAP +/-20%	0.22UF 25V
: C211,212,220,221	26-321030501-09	ELECT CAP (RADIAL) "MITA"	1UF 50V +/-20% (4x7mm)
: C204	26-334730101-00	ELECT CAP (RADIAL)	47UF 10V +/-20% (4x7mm)
: C205	26-342230101-00	ELECT CAP (RADIAL)	220UF 10V +/-20% (DIA6x8mm)
: X201	31-175004030-00	CRYSTAL (FARGO)	75KHz +/-30PPM AT 25C +/-3C
: SW201,202,206,209,210	41-151100000-0V	TACT SWITCH (COMAX)	RS-014RB1 (H=5mm F=180+-30gf)
SW217,218,219,220,221			
	44-102340110-0A	BARE WIRE	dia 0.5mm L=40mm
: FOR A TO B	44-302610200-41	5STRAND JUMPER WIRE UL1007	4+92+4mm (BLACK) #AWG-26
: CN204,210	44-512830259-E4	9P WIRE(28UL15/1) W/SINGLE	HOUSING(2mm) L=300mm
: FOR CN213 TO CN212	44-512832263-E4	13P WIRE(28UL15/1) W/SINGLE	HOUSING(2mm) L=320mm

rand Name : "AKAI AJ-C2500"	0-V2L000115-00	Description: AM/FM ST.CASS RADIO(PLL	pecification: 230V CE APP (UNIT:SIL.+
: CN205	44-522620253-E1	3P WIRE(#26UL1007) W/SINGLE	HOUSING(2.5mm) L=200mm
: CN202	44-522632255-E1	5P WIRE(#26UL1007) W/SINGLE	HOUSING(2.5mm) L=320mm
: FM1	45-032632226-02	2P COAXIAL CABLE #26 W/SINGLE	HOUSING(2.5) L=320mm
: J227,250	47-301050152-10	UL TUBE	I.D. 1x0.5x15mm
	48-SKCV20005-01	CONTROL PCB #SKC-V2	#48-SKCV20005-01
	02-V2L000115-01	CASING ASS'Y 230V	#SKC-V2L (SPK GRILL:BLUE)
	18-2575V2000-17	TRANSFORMER (SUNSTRONG) EI-57	SIL57T990022 W/FUSE 230V VDE
	19-820551255-32	SPEAKER (G.WELL.)	4"3.2 OHM 7W W/BLK CAP. M/65mm
	19-821051032-08	TWEETER (SAMCO #5019A02)	2"5W 8 OHM W/BLK CAP
: FOR M "+" TO M "-"	26-334730300-00	ELECT CAP (RADIAL)	47UF 25V +/-20% (NORMAL SIZE)
: FOR BIG SP. TO SMALL SP. x2	26-622230500-00	NP ELECT CAP (RADIAL)	2.2UF 50V +/-20% (NORMAL SIZE)
	32-100000008-02	ANTENNA #4B6158	(158-600mm) HEAD: DIA 6.5mm
: FOR ANT WIRE	32-335130500-00	FERRITE CORES	3.5x1.35x5mm BP53.CP22
	32-516300500-00	MAGNET (#M163050)	16x30x5mm (400g-430g)
: FOR CD POWER	41-061100000-0L	LEAF SWITCH (WELTRONICS)	MIC-MSW-2526GMVE
	43-520115020-01	AC SOCKET (TAI CHUNG)	TC08-115-02 (VDE APP)
	44-302221202-41	STRAND JUMPER WIRE UL1007	AWG22 4+202+4mm (RED)
rand Name : "AKAI AJ-C2500"	0-V2L000115-00	Description: AM/FM ST.CASS RADIO(PLL	pecification: 230V CE APP (UNIT:SIL.+
: FOR BATTERY PLATE	44-302603000-41	JUMPER WIRE UL 1007 AWG-26	4+22+4mm (BLACK)
: FOR 8OHM 5W SPEAKER GND TO SPEAKER	44-302606000-41	STRAND WIRE UL1007	AWG26 4+52+4mm (BLACK)
: FOR M- TO LEAF SW	44-302615204-41	STRAND JUMPER WIRE UL1007	AWG26 4+142+4mm (YELLOW)
: FOR DECK CONTACT PLATE	44-302618200-41	STRAND JUMPER WIRE UL1007	AWG26 4+172+4mm (BLACK)
: FOR 7W 30HM SPEAKER TO 5W 8OHM SPE	44-302621200-41	STRAND JUMPER WIRE UL1007	AWG26 4+202+4mm (BLACK)
: FOR 7W 30HM SPEAKER TO E.CAP 2.2UF	44-302621202-41	STRAND JUMPER WIRE UL1007	AWG26 4+202+4mm (RED)
: FOR FM ANT	44-302625202-41	STRAND JUMPER WIRE UL1007	AWG26 4+242+4mm (RED)
: FOR CD MECH	44-512818258-N4	6P WIRE(#28UL1571) W/BOTH	HOUSING(2mm) L=180mm(SPECIAL)
: FOR CD MECHA	44-512818258-C4	8P WIRE(#28UL1571) W/BOTH	HOUSING(2mm) L=180mm
: FOR CD MECHA	44-512819258-N4	8P WIRE(#28UL1571) W/BOTH	HOUSING(2mm) L=190mm
: FOR LEAF SWITCH	44-513014252-00	2P WIRE(#30UL1007) W/SINGLE	HOUSING(2mm) L=140mm
: FOR AC SOCKET, 3V "+", 3V "-"	44-522220253-E1	3P WIRE(UL1007 #22) W/SINGLE	HOUSING(2.5mm) L=200/320mm *
: FOR SPEAKER	44-522266254-G1	4P WIRE(#22 UL1007) W/SINGLE	HOUSING(2.5mm) L=660/420mm
: FOR TAPE DECK	44-522638257-G1	7P WIRE(#26UL1007) W/SINGLE	HOUSING(2.5mm) L=380/340mm
	46-240320100-05	GLASS FUSE 5x20mm (BUSSMANN)	T4.0A/250V S506
rand Name : "AKAI AJ-C2500"	0-V2L000115-00	Description: AM/FM ST.CASS RADIO(PLL	pecification: 230V CE APP (UNIT:SIL.+
: FOR 8OHM 5W SPK "+" x2	47-301050172-10	UL TUBE	I.D 1x0.5x17mm
: FOR SPK.x0.5	47-302050102-10	UL TUBE	I.D. 2x0.5x10mm
: FOR DIGITAL OUTPUT JACK	57-08SKCV201-07	MASK PLATE -1 (SIL.)	#SKC-V2 (27x23x0.5mm)
: FOR AC VOLTAGE SELECTOR	57-08SKCV211-07	PVC PLATE (SIL)	#SKC-V2 (17.8x24.8x0.5mm)
	58-090835000-00	CABLE TIE 5" (CHAIN)	#08350
	58-190DS9500-00	FELT (W/TAPE 90x5mm)	90x5x0.5mm
: FOR FRONT CABINET	58-19AE33902-00	FELT 16x16x0.5mm #AE-339	(W/TAPE 16x16mm)
	58-26D77A000-00	RUBBER DIA6x1mm (TAPEx1)	#D-77A
	58-26SKCV200-00	HARD RUBBER FOOT	DIA 16x3.5mm W/TAPE ONE SIDE
	58-51SCD6601-00	BATTERY RIBBON	W=8 +/-0.5mm L=360mm (BLACK)
	58-580033920-00	RUBBER 25x15x12mm	(W/TAPE 25x15)
	58-61AC13000-00	SHOCK ABSORBER (ORANGE)	AC130-80C
	58-61AC13001-00	SHOCK ABSORBER (BROWN)	AC130-80C
: FOR BATTERY DOOR x2	58-82SKCV200-00	SPONGE 55x25x25mm	W/TAPEx1 55x25mm
	58-82SKCV210-00	SPONGE 70x40x10mm (UL APP)	W/TAPEx1 70x40mm
	61-04SKCV200-00	ANTENNA CONTACT PLATE	#SKC-V2 0.2 THK (30x7mm)
	61-11SKCV200-01	TRANS. BRACKET REV1	#SKC-V2 (90x58x1.5mm)
	61-160066000-00	MAGNET CAP TOP 0.5T	#660 (DIA 40mm)
	61-26TX44001-00	BATTERY SPRING (-) (B) #TX-440	
rand Name : "AKAI AJ-C2500"	0-V2L000115-00	Description: AM/FM ST.CASS RADIO(PLL	pecification: 230V CE APP (UNIT:SIL.+
	61-68V300000-00	CD DOOR PLATE	#V3 W/O PRINT
	61-80SKCV200-00	RECORD SHAFT	#SKC-V2 (THK 0.8mm)
: FOR DECK	61-870033140-00	LUG (SOLDERING)	#3314
	61-900002680-00	SPEAKER CLIP	#268
	61-90SKCV200-00	SPEAKER CLIP	#SKC-V2 (THK 1.0mm)
	61-91V2L0061-00	SPEAKER GRILL (L)	#SKC-V2 (BLUE 8182C)
	61-91V2L0161-00	SPEAKER GRILL (R)	#SKC-V2 (BLUE 8182C)
	61-94SKCV200-02	SPRING (1)-CD DOOR	#SKC-V2 (DIA 1.3mm)
	61-94SKCV210-02	SPRING (1) -CD HOOK REV2	#SKC-V2 (DIA 0.35mm)
: CASS DOOR	61-94SKCV220-02	SPRING -CASS DOOR REV2	#SKC-V2 (DIA 0.9mm)
: FOR ANT	66-220300831-00	MACHINE SCREW	MS/BH 3x8
: CD COVER x4	66-421200511-00	SELF-TAPPING SCREW	TA/BH 2x6 (BLACK)
: FOR CD LEAF SW.	66-421201011-00	SELF-TAPPING SCREW	TA/BH 2x10 (BLACK)
: FOR POWER PCB (SWITCH) x3	66-421260831-00	SELF-TAPPING SCREW	TA/BH 2.6x8
: FOR AC JACK x2	66-421261031-00	SELF-TAPPING SCREW	TA/BH 2.6x10
: FOR REAR CABINET	66-421302031-00	SELF-TAPPING SCREW	TA/BH 3x20
rand Name : "AKAI AJ-C2500"	0-V2L000115-00	Description: AM/FM ST.CASS RADIO(PLL	pecification: 230V CE APP (UNIT:SIL.+
: FOR REAR CABINET x2	66-422301231-00	SELF-TAPPING SCREW	TB/BH 3x12
CD BRACKET TO CD REAR CABINET			
TRANSFORMER x4			
: FOR DISPLAY PCB	66-431261231-00	SELF-TAPPING SCREW	TA/PH 2.6x12

: FOR CD PCB x4 MAIN PCB x7	66-431301031-00	SELF-TAPPING SCREW	TA/PH 3x10
POWER PCB x2			
VOL PCB x1			
FORNT PANELx3 VOL PCB x2			
CASS DOORx1			
: FOR CD DOOR LOCKx1	66-481260831-00	SELF-TAPPING SCREW	TA/WH 2.6x8
: FOR SPEAKER x4 CASS DECK x4	66-481300831-00	SELF-TAPPING SCREW	TA/WH 3x8
GEAR HOLDER x2			
: FOR " x2	66-481301231-00	SELF-TAPPING SCREW	TA/WH 3x12
SPEAKER x6			
: MAGNET TOP x1	66-520200411-00	TAP TITE SCREW	TT/BH 2x4 (BLACK)
: FOR TRANS	66-542400831-00	SCR S-TPG (NEAT)	TT/TH 4x8 (ZIN) HEAD DIA = 9mm
: FOR CD DECK	66-910001721-00	SHOULDER SCREW (#D-1B)	2.5x(10+7)mm HEAD DIA 11mm
: FOR CD DECK SCREW x4	68-012006037-00	METAL WASHER	2x8x0.3mm
: FOR CASS DOOR x2	68-023008042-00	FIBRE WASHER	3x8x0.4mm
: FOR CD PCB TO CD BASE x4	68-023008082-00	FIBRE WASHER	3.0x8.0x0.8mm
rand Name : "AKAI AJ-C2500"	0-V2L000115-00	Description: AM/FM ST.CASS RADIO(PLL	pecification: 230V CE APP (UNIT:SIL +
	71-27VC74900-26	V/CASS DECK (MANTECH)	MT802VC749 M:EG530AD2B H:KS211
	71-70CMSA30U-00	CD MECHANISM (SAMSUNG)	#CMS-A30A6U TOP LOADING
	77-400V20002-00	FUSE CAUTION LABEL "4A 250V"	59x27mm
	03-V2L000115-00	PACKING ASS'Y 230V AM/FM	#SKC-V2L "AKAI"
	45-121830002-01	AC CORD SET VDE APP.6FT (BLK)	MT-11+H03VVH2F2x.75mmSQ+MT-18"
	76-0200V2L00-00	CARTON (2 SETS) A=A	#SKC-V2L (510x285x480mm)
	76-045KCV200-01	POLYFOAM (R) REV1	#SKC-V2 W/RECYCLE
	76-055KCV200-01	POLYFOAM (L) REV1	#SKC-V2 W/RECYCLE
: FOR UNIT	76-5200V2000-00	POLYBAG 02PE-HD 16.5"x25.5"	W/WARN(E/S/F) & REC. /4 HOLE
: FOR I/B & WARRANTY CARD & AC CORD	76-5200V2001-00	POLYBAG 02PE-HD 7"x10"x0.03mm	W/WARN(E/S/F) & REC. /4 HOLE "
	76-550CD1200-00	POLY SHEET	1000x1500x0.025mm
	77-01V2L0000-00	GIFT BOX	#SKC-V2L "AKAI AJ-C2500"
	77-060000001-00	Q A PASSED LABEL	
	77-070000001-00	Q C PASSED LABEL	
	77-090CD1200-00	SERIAL NO. LABEL (5x50mm)	#CD-12
: FOR UNIT x1: GIFT BOX x1: CARTON x	77-100X28000-00	'MADE IN CHINA' LABEL	#X-2800 (20x3mm)
	77-1X0000024-00	CD TRAY CARD (3 LANGUAGE)	DIA121xDIA16x0.6mm PRINT:RED
	77-20V2L0000-00	INSTRUCTION MANUAL (E/F/NL)	#SKC-V2L "AKAI AJ-C2500"
	77-29NSX2040-00	CAUTION LABEL (3 IN 1)	X2000(344A2553-SF01/DG01/EF01)
	77-31V2L0000-00	RATING LABEL	#SKC-V2L "AKAI AJ-C2500"
: FOR CARTON	77-75X280004-00	"E1" LABEL DIA:40mm	#X-2800 (BLUE)
rand Name : "AKAI AJ-C2500"	0-V2L000115-00	Description: AM/FM ST.CASS RADIO(PLL	pecification: 230V CE APP (UNIT:SIL +
	77-810000001-00	LASER BEAM LABEL (TRIGONAL)	PRINT:YELLOW/BLACK
	77-81NSX2000-00	CLASS 1 LABEL (5 LAN.)	#NSX-2001 (W/344A2555-0001)
	77-90SKCV200-00	BATTERY WARNING LABEL 70x22mm	#SKC-V2 *
	04-V2L000100-00	INDIRECT MATERIAL	#SKC-V2L (PCB)
	79-220101030-00	OIL CLOTH TUBE	1.DIA 1mm (S/N:P29)
	79-290306330-00	HIGH TEMPERATURE MASKING TAPE	W=1/4" (S/N:A52)
	79-290312730-00	HIGH TEMPERATURE MASKING TAPE	W=1/2" (S/N:A53)
	79-290325430-00	HIGH TEMPERATURE MASKING TAPE	W=1" (S/N:A51)
	79-310112730-00	THREAD SEAL TAPE (3M)	W=1/2" (S/N:A32)
	79-460101030-00	SOLDER WIRE 50%	DIA 1.0mm (S/N:B7)
	79-480105020-00	SOLDER BAR	50% (S/N:B1)
	79-480206320-00	SOLDER BAR	63% (S/N:B2)
	79-510105030-00	HEATSINK GREASE	(S/N:B22)
	79-650100000-00	HOTMELT STICK	DIA11x30mm(30g) (S/N:B57)
	79-680203530-00	GLUE (YELLOW)	#BY-883A (S/N:B26)
	79-680901030-00	GLUE (YELLOW)	#1603(UL) (S/N:B23)
	79-681101030-00	GLUE (RED)	#SL-515 (S/N:B28)
	79-730201540-00	THINNER	#600 (S/N:B50)
	79-730502040-00	SOLVENTS	#880B (S/N:B48)
	79-730601540-00	FLUX	(S/N:B45)
	06-V2L000115-00	PLASTIC ASSY 230V AM/FM	#SKC-V2L "AKAI"
	56-04V2L00A1-20	FRONT CAB. (HIPS)	#SKC-V2L
rand Name : "AKAI AJ-C2500"	0-V2L000115-00	Description: AM/FM ST.CASS RADIO(PLL	pecification: 230V CE APP (UNIT:SIL +
	56-05V2L00A1-20	REAR CAB. (HIPS)	#SKC-V2L
	56-06V2L00A1-10	BATTERY DOOR (ABS)	#SKC-V2L
	56-07000V200-BA	CASS BRACKET (ABS)	#SKC-V2
	56-07000V230-BA	DISPLAY BRACKET (ABS)	#SKC-V2
	56-07000V240-BA	CD CLAMPER HOLER (ABS)	#SKC-V2
	56-13V2L00A1-20	CASS DOOR (HIPS)	#SKC-V2L
	56-14V2L00A1-10	CD DOOR (ABS)	#SKC-V2L (SIL.+SMOKY GREY)
	56-160D66P00-BA	MAGNET CAP BOTTOM (ABS.BLACK)	#D66P (DIA 70mm) (SAMSUNG CD)
	56-22000V200-BA	CD BRACKET (ABS)	#SKC-V2
	56-22000V230-BA	BATTERY COVER (ABS)	#SKC-V2
	56-220066000-BA	LASER COVER (ABS)	#660 (BLK) (SAMSUNG CD MECH)
	56-22V2L0061-20	TOP COVER (HIPS) -L	#SKC-V2L (BLUE 8182C)
	56-22V2L0151-20	TOP COVER (HIPS) -R	#SKC-V2L (BLUE 8182C)
	56-240Z24100-BA	GEAR (ABS)	#MCD-Z241 (BLACK)

	56-240Z24110-BA	HOLDER GEAR (ABS)	#MCD-Z241 (BLACK)
	56-41V2L00A1-10	HANDLE (ABS)	#SKC-V2L
	56-41V2L01A1-10	HANDLE COVER (ABS)	#SKC-V2L
	56-53V2L00A1-10	CD KNOB (ABS)	#SKC-V2L
	56-54V2L00A1-10	DBBS KNOB (ABS)	#SKC-V2L
	56-54V2L01A1-10	BAND KNOB (ABS)	#SKC-V2L
	56-54V2L02A1-10	VOL. KNOB (ABS)	#SKC-V2L
	56-54V2L03A1-10	POWER KNOB (ABS)	#SKC-V2L
rand Name : "AKAI AJ-C2500"	0-V2L000115-00	Description: AM/FM ST.CASS RADIO(PLL	pecification: 230V CE APP (UNIT:SIL+
	56-55V2L00A1-10	CASS. KNOBS (ABS) -6 KEYS	#SKC-V2L
	56-57V2L0100-40	DISPLAY LENS (SAN)	#SKC-V2L
	56-57V2L0200-40	CASS. LENS (SAN)	#SKC-V2L
	56-52V200080-10	SPACER (ABS)	#V2 (GEAY)
	56-64000V200-BA	H00K-CD DOOR (ABS)	#SKC-V2
	56-64000V210-BA	H00K HOLDER (ABS)	#SKC-V2
	56-69000V200-BA	PLATE -1 (ABS)	#SKC-V2
	56-69000V210-BA	PLATE -2 (ABS)	#SKC-V2
	56-69V2L00A1-20	FRONT PLATE (HIPS)	#SKC-V2L
	56-81000000-AA	AC SOCKET COVER	

REPLACEMENT PARTS LIST

ITEM	PART NO	DASH	DESCRIPTION	Q6	REFERENCE NO
1	11-190360	00	AM FERRITE BAR HOLDER	2	
2	11-V20420	00	BRACKET-LCD	1	
3	12-360323	01	FUSE HOLDER □CFC-001-N□□300/323□□□V6□	2	
4	12-V20070	00	HEATSINK (FOR PWR AMP.IC)	1	
5	12-V20080	00	HEATSINK (FOR IC101)	1	
6	12-202808	01	COPPER □□V6□	15	
7	12-V20010	00	BATTRY SPRING (SMALLER)	1	
8	12-360004	01	BATTRY SPRING (BIGGER) □□V6□	4	
9	15-100505	01	FM SPONGE□10*5*5	1	
10	16-363008	PB	SCREW□ PB3*8	1	
11	16-363010	BM	SCREW□ BM3*10	1	
12	28-FD5126	AP	LCD DISPLAY FD5126AP	1	DIS1
13	29-TA8176	01	TA8176	1	IC1
14	29-TA2057N	01	TA2057N	1	IC2
15	29-BA4558	01	BA4558N	1	IC3
16	29-304052	01	TC4052	1	IC4
17	29-BA5417	01	BA5417	1	IC7
18	29-108173	01	TA8173AP	1	IC9
19	29-107808	01	KA7808	1	IC101
20	29-103308	01	BA3308	1	IC301
21	29-PT2253	01	PT2253A	1	IC6
22	29-TC9314	037	TC9314F-037	1	IC201
23	30-209014	00	Transistor: 9014C	30	Q1.3.4.7.8.9.10.12.13.15.16.17.18.19.20.101.102.104.
24					106.108.201.202.203.204.301.302.304.305.306.307
25	30-209015	00	Transistor: 9015C	3	Q2.105.308
26	30-10B772	00	Transistor: B772	2	Q103.107
27	31-044148	00	Diode: IN4148	20	D7.201.204.205.206.207.208.209.210.219.220.221
28					.225.226.227.301.T0.T1.A0.A1.FUNC
29	31-304001	00	Diode: IN4001	2	D305.D4
30	31-300202	01	Diode: RECTIFER RL-202	4	D101.102.103.104
31	31-500201	01	Zener Diode: SVC201 □□□□V101□	2	VD1.VD2
32	31-500301	01	Zener Diode: SVC301 □□□□V149□	2	VD3.VD4
33	31-251353	00	LCD DIA=3mm RED	1	PWR
34	31-551353	00	LED DIA=3mm GREEN	1	SUR
35					

REPLACEMENT PARTS LIST

ITEM	PART NO	DASH	DESCRIPTION	Q6	REFERENCE NO
36	33-453508	01	FM COIL ϕ 4.5/3.5T 8mm	1	L1
37	33-503508	01	FM COIL ϕ 5.0/3.5T 8mm	1	L2
38	33-502508	01	FM COIL ϕ 5.0/2.5T 8mm	1	L4
39	33-V26120	01	AM ANT. COIL 61:20T	1	L5
40	32-15660R	01	AM OSC. (RED) 660R 10mm	1	T3
41	32-150490	01	AM IFT (YELLOW) A04910mm	1	T2
42	32-156210	01	AM IFT (BLACK) #621 10mm	1	T301
43	32-15106PF	01	FM IFT (PINK) 106FP 10mm	1	T1
44	36-440100	00	TRIMMER 10PF	2	CT1.CT2
45	36-440200	00	TRIMMER 20PF	2	CT3.CT4
46	35-1162KP	01	VOLUME	1	SW302
47	35-PS82D02NS	00	REC/PLAY SWITCH (8P 2T)P58D02 (NON-SHORTING)	1	SW301
48	35-4113FH	00	TACT SWITCH	14	SURR TIMER BAND MKKE TEPEAT PLAY STOP UP PROG DOWN
49					POWER TONER CD TAPE
50	35-070707	00	DBBS SWITCH 7 \times 7mm	1	SW4
51	40-180010	00	AM FERRITE BAR ϕ 10 \times 80mm	1	$\square\square$ $\square\square$ V12 \square
52	42-145004	01M	AM CERAMIC FILTER SFU450B	1	CF2
53	42-145604	01	AM CERAMIC FILTER CRB456F18	1	CF4
54	42-110701	01	FM CERAMIC FILTER SPE10.7MA	1	CF3
55	42-110701	02	FM CERAMIC FILER LT10.7MA3	1	CF1
56	42-316931	00	CRYSTAL 16.93MHz	1	XTAL1
57	42-307501	00	CRYSTAL 75KHz	1	X201
58	44-3506202	00	PHONE JACK W/SW	1	JK $\square\square\square$
59	56-150229	12	COPPER WIRE L=15mm ϕ0.6mm	1	J97T
60	56-180229	12	COPPER WIRE L=18mm ϕ0.6mm	1	J54
61	54-247015	12	Resistor: 47 Ω 1/16W	1	R205
62	54-256135	12	Resistor: 560 Ω 1/4W	1	R24
63	54-218215	12	Resistor: 1.8K Ω 1/16W	1	R217
64	54-222215	12	Resistor: 2.2K Ω 1/16W	1	R207
65	54-227215	12	Resistor: 2.7K Ω 1/16W	1	R204
66	54-247235	12	Resistor: 4.7K Ω 1/4W	1	R219
67	54-256235	12	Resistor: 5.6K Ω 1/4W	1	R67
68	54-282235	12	Resistor: 8.2K Ω 1/4W	1	R344
69	54-215315	12	Resistor: 15K Ω 1/16W	1	R224
70	54-222315	12	Resistor: 22K Ω 1/16W	1	R220
71	54-247315	12	Resistor: 47K Ω 1/16W	2	R203.206
72	54-210535	12	Resistor: 1M Ω 1/4W	1	R218

REPLACEMENT PARTS LIST

ITEM	PART NO	DASH	DESCRIPTION	06	REFERENCE NO
73	54-220515	12	Resistor: 2M Ω 1/16W	1	R221
74	55-105066	12	C.CAP: 5 PF 25V	2	C6.379
75	55-110065	12	C.CAP: 10 PF 25V	1	C11
76	55-112065	12	C.CAP: 12 PF 25V	1	C372
77	55-115065	12	C.CAP: 15 PF 25V	1	C9
78	55-125065	12	C.CAP: 25 PF 25V	2	C201.202
79	55-130065	12	C.CAP: 30 PF 25V	1	C1
80	55-133065	12	C.CAP: 33 PF 25V	1	C2
81	55-147065	12	C.CAP: 47 PF 25V	1	C3
82	55-110165	12	C.CAP: 100 PF 25V (101)	8	C30.21.56.57.141.142.190.191
83	55-133165	12	C.CAP: 330 PF 25V (331)	3	C207.208.209
84	55-139165	12	C.CAP: 390 PF 25V (391)	1	C29
85	55-150165	12	C.CAP: 500 PF 25V (501)	1	C22
86	55-110266	12	C.CAP: 0.001 uF 25V (102)	5	C4.7.10.174.175
87	55-147366	12	C.CAP: 0.047 uF 25V (473)	1	C382
88	55-110366	12	C.CAP: 0.01 uF 25V (103)	16	C8.18.20.33.36.35.50.130.193.366.112.113.114.115.210.222
89	55-120266	12	C.CAP: 0.002 uF 25V (202)	1	C13
90	55-120366	12	C.CAP: 0.02 uF 25V (203)	7	C5.32.90.101.106.119.107
91	55-110466	12	C.CAP: 0.1 uF 25V (104)	15	C15.16.25.138.159.206.214.223.226.370.371.373.376.377.378
92	55-122466	12	C.CAP: 0.22 uF 25V (224)	1	C228
93	55-415286	12	M.CAP: 0.0015 uF 100V (152)	4	C37.38.132.137
94	55-422286	12	M.CAP: 0.0022 uF 100V (222)	6	C308.307.317.316.329.333
95	55-433286	12	M.CAP: 0.0033 uF 100V (332)	6	C133.134.135.136.R181.R182(□□)
96	55-447286	12	M.CAP: 0.0047 uF 100V (472)	1	C334
97	55-422386	12	M.CAP: 0.022 uF 100V (223)	2	C313.314
98	55-447386	12	M.CAP: 0.047 uF 100V (473)	1	C145
99	55-468386	12	M.CAP: 0.068 uF 100V (683)	5	C28.51.52.53.54
100	55-482386	12	M.CAP: 0.082 uF 100V (823)	2	C23.24
101	55-410486	12	M.CAP: 0.1 uF 100V (104)	4	C169.170.374.375
102	55-210568	12	E.CAP: 1 uF 25V	17	C46.48.58.59.60.62.66.143.144.147.148.152.153.177.178.305.306
103	55-210568	22	E.CAP: 1 uF 16V 4*7mm	2	C212.221
104	55-210568	12	E.CAP: 1 uF 50V	2	C211.220
105	55-222568	12	E.CAP: 2.2 uF 25V	4	C1.□□*2 C64
106	55-233568	12	E.CAP: 3.3 uF 25V	4	C146.369 (R56-R60□□□□□□, R57-R61□□□□□□)
107	55-247568	12	E.CAP: 4.7 uF 25V	8	C42.43.63.149.150.157.310.309

REPLACEMENT PARTS LIST

ITEM	PART NO	DASH	DESCRIPTION	QTY	REFERENCE NO
108	55-210668	12	E.CAP: 10 uF 16V	8	C17.19.26.40.41.44.140.156
109	55-222648	12	E.CAP: 22 uF 25V	5	C104.173.176.311.315
110	55-247648	12	E.CAP: 47 uF 25V	2	C162.□□*1
111	55-210728	12	E.CAP: 100 uF 10V	4	C12.45.139.312
112	55-210748	12	E.CAP: 100 uF 25V	5	C160.161.163.164.168
113	55-222728	12	E.CAP: 220 uF 10V	2	C105.155
114	55-222728	22	E.CAP: 220 uF 10V 6.3*7mm	1	C205
115	55-222738	12	E.CAP: 220 uF 16V	10	C34.47.49.61.105.154.192.301.302.332
116	55-247728	12	E.CAP: 470 uF 10V	1	C55
117	55-247628	22	E.CAP: 47 uF 10V 4*7mm	1	C204
118	55-210868	12	E.CAP: 1000 uF 50V	3	C103.165.166
119	55-233848	12	E.CAP: 3300 uF 25V	1	C111
120	58-201120	01	□□□ 0.5mm L=5mm	8	
121	27-V20800	JC	DISPLAY PCB(55*200*1.6)mm UL94V0	1	
122					
123	44-2418120	02	WAFER 2P 2.0mm 180□	1	J78
124	44-2418125	02	WAFER 2P 2.5mm 180□	2	CN16 CN2
125	44-2409025	03	WAFER 3P 2.5mm 90□	1	CN1
126	44-2418125	03	WAFER 3P 2.5mm 180□	1	CN15
127	44-2418125	04	WAFER 4P 2.5mm 180□	1	CN17
128	44-2409020	05	WAFER 5P 2.0mm 90□	1	CN4
129	44-2409025	05	WAFER 5P 2.5mm 90□	1	CN6
130	44-2418120	06	WAFER 6P 2.0mm 180□	1	CON3
131	44-2418125	08	WAFER 8P 2.5mm 180□	1	CN7
132	44-2418120	09	WAFER 9P 2.0mm 180□	2	CN3 CON5
133	44-2409020	13	WAFER 13P 2.0mm 90□	1	CN5
134	44-V21690	16	WAFER 16P 1.0mm 90□	1	FCC□□□
135					
136	W-122618	00	Jumper Wire AWG#26 180mm±5mm	2	
137	W-2014050	06	HOUSING CONNECTOR 6P 50mm FLAT CABEL	1	
138	W-1226100	00	Jumper Wive AWG #26 100MM±5MM	1	
139	W-0002190	02	HOUSING CONNECTOR 2P 2.5mm 190mm	1	
140	W-1003320	02	HOUSING CONNECTOR 2P 2.5mm 320mm	1	
141	W-0004190	03	HOUSING CONNECTOR 3P 2.5mm 190mm	1	
142					

REPLACEMENT PARTS LIST

ITEM	PART NO	DASH	DESCRIPTION	QTY	REFERENCE NO
143	W-0006100	05	HOUSING CONNECTOR 5P 2.0mm 150mm	1	CD CON4 CN4
144	W-0007320	05	HOUSING CONNECTOR 5P 2.5mm 320mm	1	CON202 (POWER/CD/TAPE/RADIO)CN6
145	W-4008180	06	HOUSING CONNECTOR (TWO ENDS) 6P 2.0mm 180mm	1	CD CON3 CD
146	W-0012300	09	HOUSING CONNECTOR 9P 2.0mm 300mm	2	CON201 CN3 CD CON5 CN204
147	W-0013320	13	HOUSING CONNECTOR 13P 2.5mm 320mm	1	CON21/213 CN5
148	W-122603	03	Jumper Wire AWG#26 30mm±5mm	3	
149					
150	29-109284	01	TC9284BF	1	IC1
151	29-TA2065	01	TA2065F	1	IC2
152	29-102092	01	TA2092N	1	IC3
153	29-BA4558	01	BA4558N	1	IC4
154	29-278L05	01	IC 78L05	1	Q2
155	30-209014	00	Transistor: 9014C	2	Q3.Q4
156	30-209015	00	Transistor: 9015C	2	Q1.Q5
157	33-310700	01	CHOKE COIL 100uH	1	L1
158	34-131302	01	SEMI-FIXED RESISTOR 3K(B)	1	VR1
159	34-111104	01	SEMI-FIXED RESISTOR 100K(B)	1	VR2
160	56-040229	12	COPPER WIRE L=4mm φ0.6mm	2	J84.27
161	56-070229	12	COPPER WIRE L=7mm φ0.6mm	2	J90.21
162	54-215515	12	Resistor: 1.5M 1/16W	1	R7
163	55-106065	12	C.CAP: 6 PF 50V	1	C8
164	55-122065	12	C.CAP: 22 PF 50V	1	C15
165	55-125065	12	C.CAP: 25 PF 50V	2	C13.19
166	55-127065	12	C.CAP: 27 PF 50V	2	C57.58
167	55-110165	12	C.CAP: 100 PF 50V	5	C18.52.53.59.60
168	55-147165	12	C.CAP: 470 PF 50V	3	C1.49.50
169	55-150165	12	C.CAP: 500 PF 50V	1	C5
170	55-147266	12	C.CAP: 0.0047 uF 50V (472)	1	C21
171	55-110266	12	C.CAP: 0.001 uF 50V (102)	1	C70
172	55-147366	12	C.CAP: 0.047 uF 50V (473)	4	C3.17.30.32
173	55-110366	12	C.CAP: 0.01 uF 50V (103)	1	C33
174	55-110466	12	C.CAP: 0.1 uF 50V (104)	12	C2.4.22.23.28.35.36.39.41.63.64.66
175	55-122466	12	C.CAP: 0.22 uF 50V (224)	1	C228
176	55-433286	12	M.CAP: 0.0033 uF 100V (332)	2	C6.7
177	55-456286	12	M.CAP: 0.0056 uF 100V (562)	1	C11

REPLACEMENT PARTS LIST

ITEM	PART NO	DASH	DESCRIPTION	06	REFERENCE NO
178	55-468286	12	M.CAP: 0.0068 uF 100V (682)	1	C14
179	55-415386	12	M.CAP: 0.015 uF 100V (153)	1	C44
180	55-427386	12	M.CAP: 0.027 uF 100V (273)	1	C26
181	55-433386	12	M.CAP: 0.033 uF 100V (333)	1	C25
182	55-410386	12	M.CAP: 0.01 uF 100V (103)	2	C10.67
183	55-422486	12	M.CAP: 0.22 uF 100V (224)	1	C24
184	55-210568	12	E.CAP: 1 uF 50V	1	C9
185	55-247568	12	E.CAP: 4.7 uF 50V	3	C12.55.56
186	55-210668	12	E.CAP: 10 uF 50V	3	C37.20.68
187	55-222669	12	E.CAP: 22 uF 50V	1	C27
188	55-247648	12	E.CAP: 47 uF 25V	4	C16.29.31.38
189	55-210728	12	E.CAP: 100 uF 10V	7	C34.45.51.54.61.62.65
190	55-222728	12	E.CAP: 220 uF 10V	2	C46.48
191	55-247728	12	E.CAP: 470 uF 10V	1	C42
192					
193	11-V20010	00	FRONT CABINET	1	
194	11-V20020	00	BOTTOM CABINET	1	
195	11-V20030	00	CD DOOR	1	
196	11-V20040	00	CD DOOR LOCKER	1	
197	11-V20050	00	CD DOOR LOCK BASE	1	
198	11-V70450	02	CD CHUCKING PLATE	1	
199	11-V20070	00	CD CLAMPER HOLDER	1	
200	11-V20080	00	CD TRAY	1	
201	11-120470	02	CD DUST COVER	1	
202	11-V70430	05	CD DOOR DAMPER GEAR	1	
203	11-V70403	06	CASSETTE DOOR DAMPER GEAR	1	
204	11-V70440	06	CASSETTE DOOR DAMPER GEAR BASE	1	
205	11-V20120	00	PANEL-VOL/DBBS	1	
206	11-V20130	00	PANEL-FUNCTION	1	
207	11-V20140	00	PANEL-DISPLAY	1	
208	11-V20150	00	CASSETTE DOOR	1	
209	11-V20160	00	CASSETTE DOOR BKT.	1	
210	11-V20170	00	BATTERY DOOR	1	
211	11-V20180	00	HANDLE	1	
212	11-V20190	00	HANDLE COVER	1	

REPLACEMENT PARTS LIST

ITEM	PART NO	DASH	DESCRIPTION	06	REFERENCE NO
213					
214	11-V20490	00	PLASTIC CHIP (BIGGER)	1	
215	11-V20500	00	PLASTIC CHIP (SMALLER)	1	
216	11-V20430	00	LENS-LCD	1	
217	11-V20440	00	CASS-LCD	1	
218	11-V20450	00	BATTERY DOOR (small)	1	
219	11-370441	01	AC SOCKET COVER (UL V0)	1	
220	11-V20200	00	VOLUME KNOB	1	
221	11-V20210	00	DBBS KNOB	1	
222	11-V20220	00	FUCCTION KNOB-POWER□RADIO□CD□TAPE	1	
223					
224	11-V20260	00	CASS. KNOB-PAUSE	1	
225	11-V20270	00	CASS. KNOB-STOP	1	
226	11-V20280	00	CASS. KNOB-F.FWD	1	
227	11-V20290	00	CASS. KNOB-REWIND	1	
228	11-V20300	00	CASS. KNOB-PLAY	1	
229	11-V20310	00	CASS. KNOB-RECORD	1	
230	11-V20320	00	CONTROL KNOB-TIME□MODE□SURROUND□	1	
231			BAND□CH.UP/REPEAT		
232	11-V20370	00	CD KNOB-PLAY/PAUSE□MEMORY/SET CLOCK	1	
233			DOWN/SKIP. B □ UP/SKIP. F □ STOP		
234	11-370243	01	SCREW WASHER MOLDED □□V6□	7	
235					
236	12-V70050	01	PONER TRANSFORMER COVER (58×90×1.5)mm	1	
237	12-V20110	00	CD DOOR SPRING	1	
238	12-V20100	00	CASS DOOR SPRING	1	
239	12-V20120	00	CD DOOR LOCKING SPRING	1	
240	12-V20090	00	SPEAKER CLIP BIGGER	6	
241	12-V20090	01	SPEAKER CLIP SMALL	4	
242	12-V20030	00	SPEAKER GRILL(L)	1	
243	12-V20040	00	SPEAKER GRILL(R)	1	
244	12-V20050	00	RECORDING PLATE	1	
245	12-360031-01		Soldering plate	2	
246	12-V70080	01	CD METAL PLATE φ40mm	1	
247	12-V20140	00	DECORATION PLATE (FOR CD DOOR)	1	

REPLACEMENT PARTS LIST

ITEM	PART NO	DASH	DESCRIPTION	QTY	REFERENCE NO
248	14-268228	01	PVC CUT SHEET 26.8×22.8	1	
249	14-245175	02	PVC CTU SHEET 24.5×17.5		
250	14-245175	03	AC SEITCH PVC PLAGE 17.4(L)×24.2(W)MM	1	
251	15-360011	01	CD Rubber: SW-02-D658-30 "RED"	2	
252	15-360045	01	CD Rubber: SW-02-D658-40 "GREEN"	2	
253	15-160035	01	ROUND RUBBER FOOT	4	
254	15-543015	02	SPONGE (FOR BATT. DOOR AND FOR BOTTOM CABINET)	4	
255	15-V07030	00	SPONGE: 120(L)×10(W)×1.0(TH)mm WITH ADHESIUE TAP	2	
256	15-V07020	00	SPONGE: 82(L)×10(W)×1.0(TH)mm WITH ADHESIUE TAP	2	
257	44□181025	01	AC SELECTOR SWITCH	1	
258	16-363018	PA	SCREW: PA 3×18	7	
259	16-363012	PA	SCREW: PA 3×12	4	
260	16-363008	BM	SCREW: BM 3×8	1	
261	16-363010	PA	SCREW: PA 3×10	21	
262	16-362608	PA	SCREW: PA 2.6×8	2	
263	16-362610	PA	SCREW: PA 2.6×10	12	
264	16-364006	TM	SCREW: TM 4×6	2	
265	16-362004	BM	SCREW: BM 2×4	2	
266	16-202608	PWA	SCREW: PWA 2.6×8 φ8mm	5	
267	16-203012	PWA	SCREW: PWA 3×12 φ10mm	4	
268	16-203008	PWA	SCREW: PWA 3×8 φ8mm	4	
269	16-203012	PWA	SCREW: PWA 3×12 φ8mm	11	
270	16-362006	PA	SCREW: PA 2×6	1	
271	16-362612	PA	SCREW: PA 2.6×12	7	
272	16-203010	PWA	SCREW: PWA 3×10 φ8mm	4	
273	16-363010	BA	SCREW: PA 3×10	2	
274	19-V20010	02	RATING LABEL 63□W□×40□H□mm	1	
275	19-V20050	01	CAUTION LABEL 1×3	1	
276	19-V20070	01	ATTENTION LABEL	1	
277	19-360072	01	CLASS 1 LABEL	1	
278	19-360010	01	FLASH LABEL	1	
279	19-V20020	01	BATTERY WARNING LABEL 70□W□*22□H□mm	1	
280	19-V20030	01	SERIAL NO. LABEL	1	
281	19-V20140	01	COUNTRY CODE LABEL "U6"	1	
282	19-V20150	01	TRANSFORMER□SUNSTRONG□LABEL	1	

REPLACEMENT PARTS LIST

ITEM	PART NO	DASH	DESCRIPTION	Q6	REFERENCE NO
283	19-V20080	05	INSTRUCTION MANUAL IST-2964	1	
284	19-V20090	02	GIFT BOX GBF-2964	1	
285	19-V20100	09	CARTON BOX GHANA	1/2	
286	19-180093	01	CD PROTECTION CARD	1	
287	18-360011	02	Poly Bag:3X11X0.023" (For Ac Cord)	1	
288	18-V70100	02	Poly Bag:19*26*0.04" 02 PE-HD (For Unit)	1	
289	19-360031	02	Poly Bag:6.5X10X0.023"(For I/B)	1	
290	20-V2000L	01	Poly Foam "L" W/Recycle Mark	1	
291	20-V2000R	01	Poly Foam "R" W/Recycle Mark	1	
292	22-009300	01	Silkscreen Black W=9+/-0.5mm L=300mm	1	
293	18-V70300	01	POLY BAG: 1200×150×0.025mm	1	
294	58-410025	01	CALBE TIES ITEM NO GT-100M SIZE 100mm*2.5	6	
295	37-403005	01	SPEAICER 4"/3/2/5W	2	
296	37-203005	01	TWEETER 2"/3/2/5W	2	
297	47-P21VBA11	6PA	CASS DECK MECHANICSM	1	
298	47-007811	03	SAMSUNG CD MECHANISM CMS-B31VG6U	1	
299	40-301605	01	MAGNET 30*16*5mm	1	
300	40-V20001	01	MAGNET (φ3.5-φ1.3)*5.0	1	
301	39-450180	02	AC POWER LINE CORDSPT-2 UL APPD W/POLAR	1	
302	51-125140	02	FUSE T-4A/250 VED APP	1	
303	44-TC08114	01	AC Socket: TC08-114-01 CSA APP	1	
304	35-V20000	01	LEAF SWITCH	1	
305	43-104060	20	FM ANT #4B6158 HEAD: DIA=6.5mm (LIMIT) L=158-600mm	1	
306	38-571123	SUR	SK-V571123B SUR KIU	1	
307	W-122620	02	Jumper Wire AWG#26 5mm+200mm-5mm	1	
308	W-1226100	00	Jumper Wire AWG#26 5mm+100mm-5mm	1	
309	W-122623	01	Jumper Wire AWG#26 5mm+230mm-5mm	1	
310	W-122620	00	Jumper Wire AWG#26 5mm+200mm-5mm	2	
311	W-122620	01	Jumper Wire AWG#26 5mm+200mm-5mm	2	
312	W-122605	03	Jumper Wire AWG#26 5mm+50mm-5mm	2	
313	W-902860	16	CD FCC HOUSING CONNECTOR 16P 60MM	1	
314	W-226016	02	HOUSING CONNECTOR 2P 2.0mm 160mm (□□) 26 #	1	
315	W-0004210	03	HOUSING CONNECTOR 3P 2.5mm 210mm 26 #	1	
316	W-0005025	04	HOUSING CONNECTOR 4P 2.5mm 500mm/250mm 22 #	1	
317	W-3009250	08	HOUSING CONNECTOR 8P 2.5mm 250mm 26#	1	
318	W-122618	00	Jmper wire AWG #26 180mm	1	
319	W-122018	02	Jumper Wire:UL1672 #22 Orange 180mm	1	
320	W-122603	03	Jmper wire AWG #26 30mm	1	