

CL0117 LED DRIVER

GENERAL DESCRIPTION

The CL0117 is a low-end white LED lamp driver with one dry/rechargeable batteries(input voltage:0.8V~1.5V).

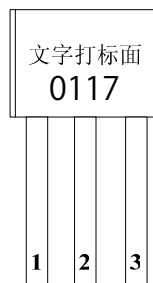
FEATURES

- Only an external inductor
- Operating range is 0.8V~1.5V
- Maximum driving efficiency is 80%

APPLICATIONS

- LED torch
- LED portable lighting
- LED flashlights

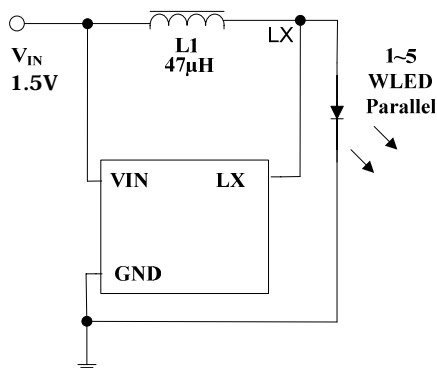
TO92



LX VIN GND

PIN ASSIGNMENT

TYPICAL APPLICATIONS



Notes:

ITEMS	CONDITIONS	VALUE	Unit
Input Voltage	One series battery	0.8~1.5	V
Inductor	Color circle inducor	47	uH
Load	Φ 5 parallel LED	1~5	

ELECTRICAL CHARACTERISTICS

Table1 Input voltage 1.5V, 47uH inductor

WLED NUMBER	INPUT CURRENT	OUTPUT CURRENT
1	114	30
3	189	54
5	230	67

(unit: mA)