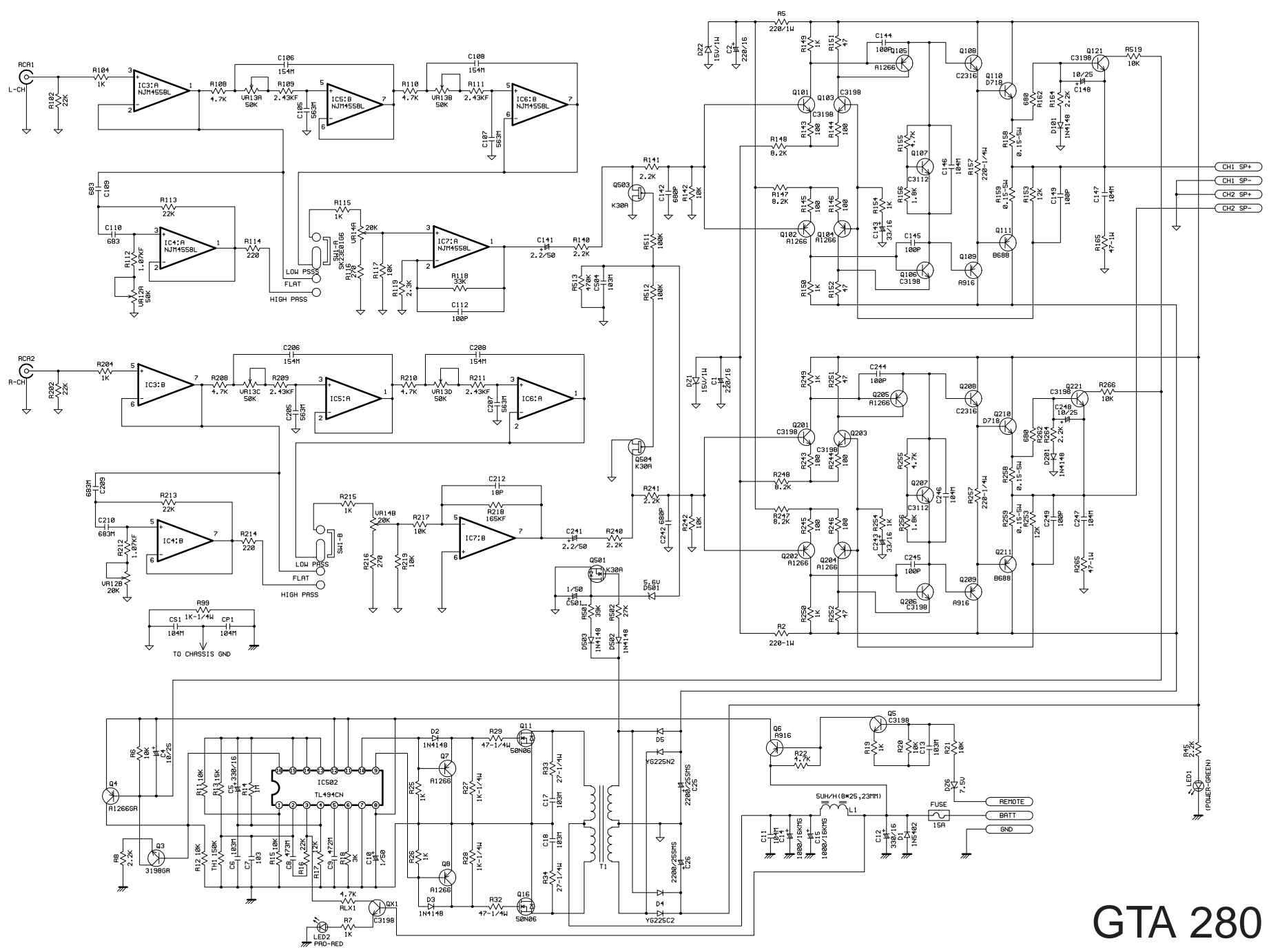
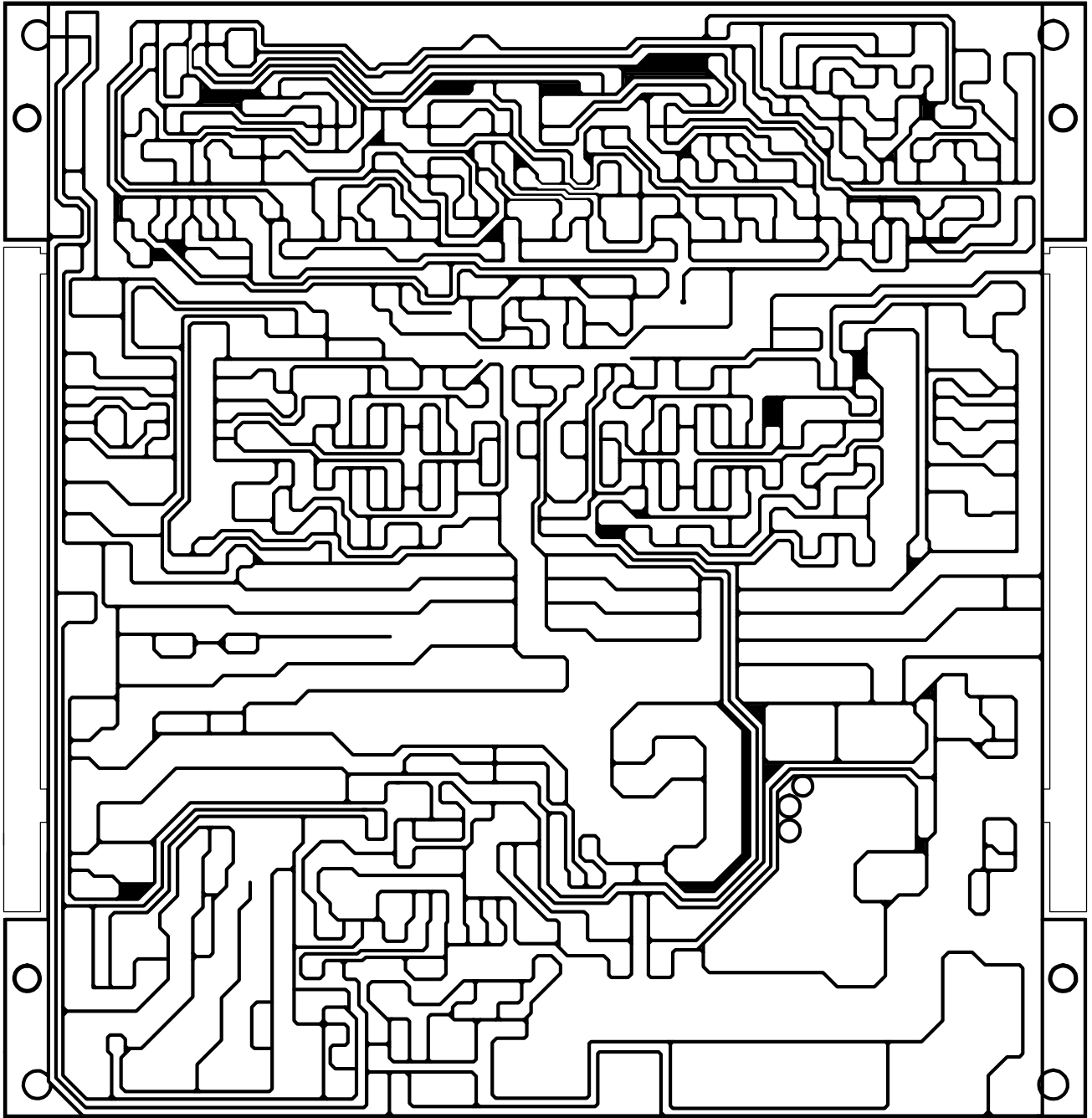


**Schaltbild • Circuit diagram**

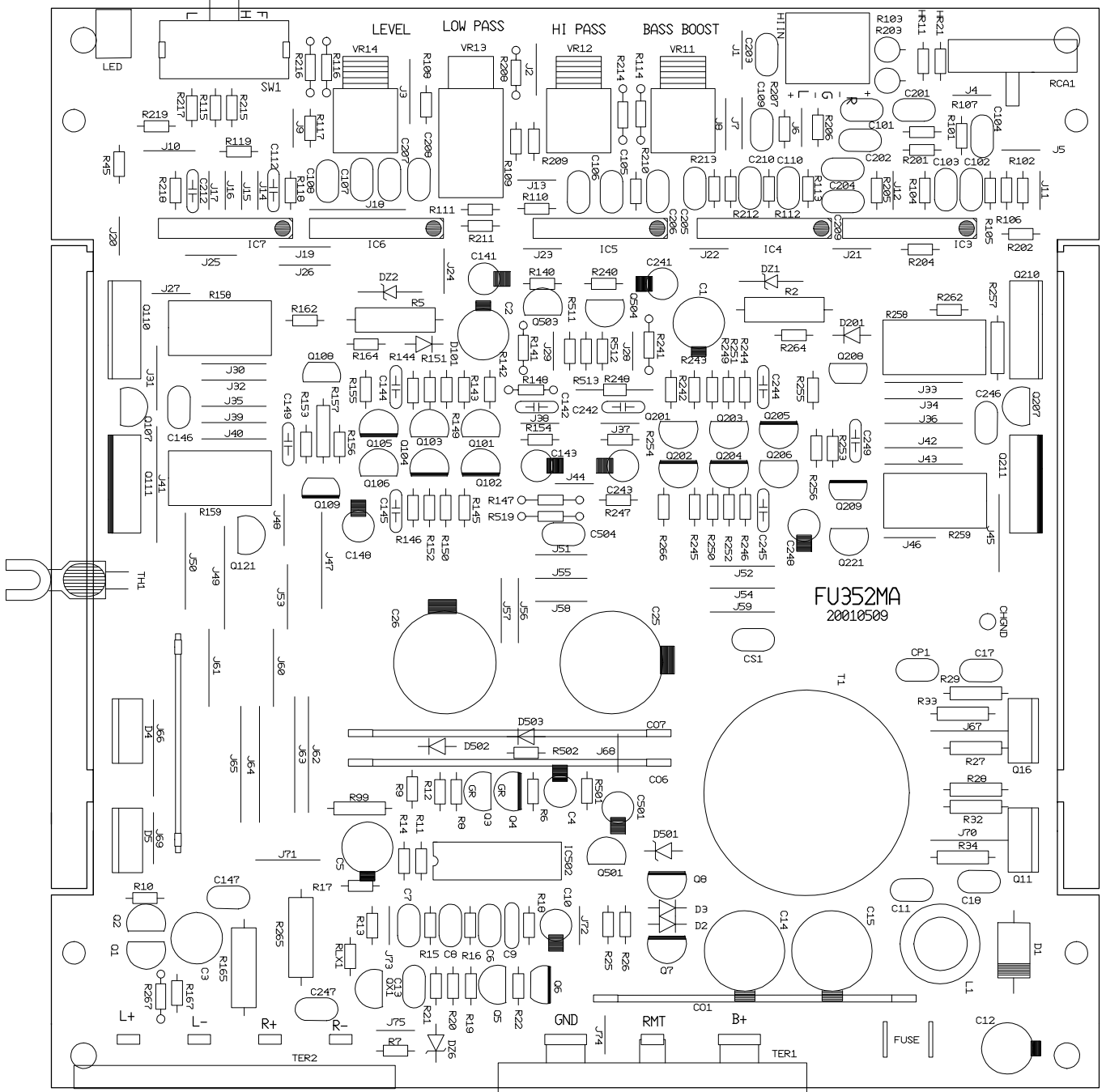
**AMPLIFIER**



GTA 280



GTA 280 PCB BOARD



# GTA 280 PCB BOARD