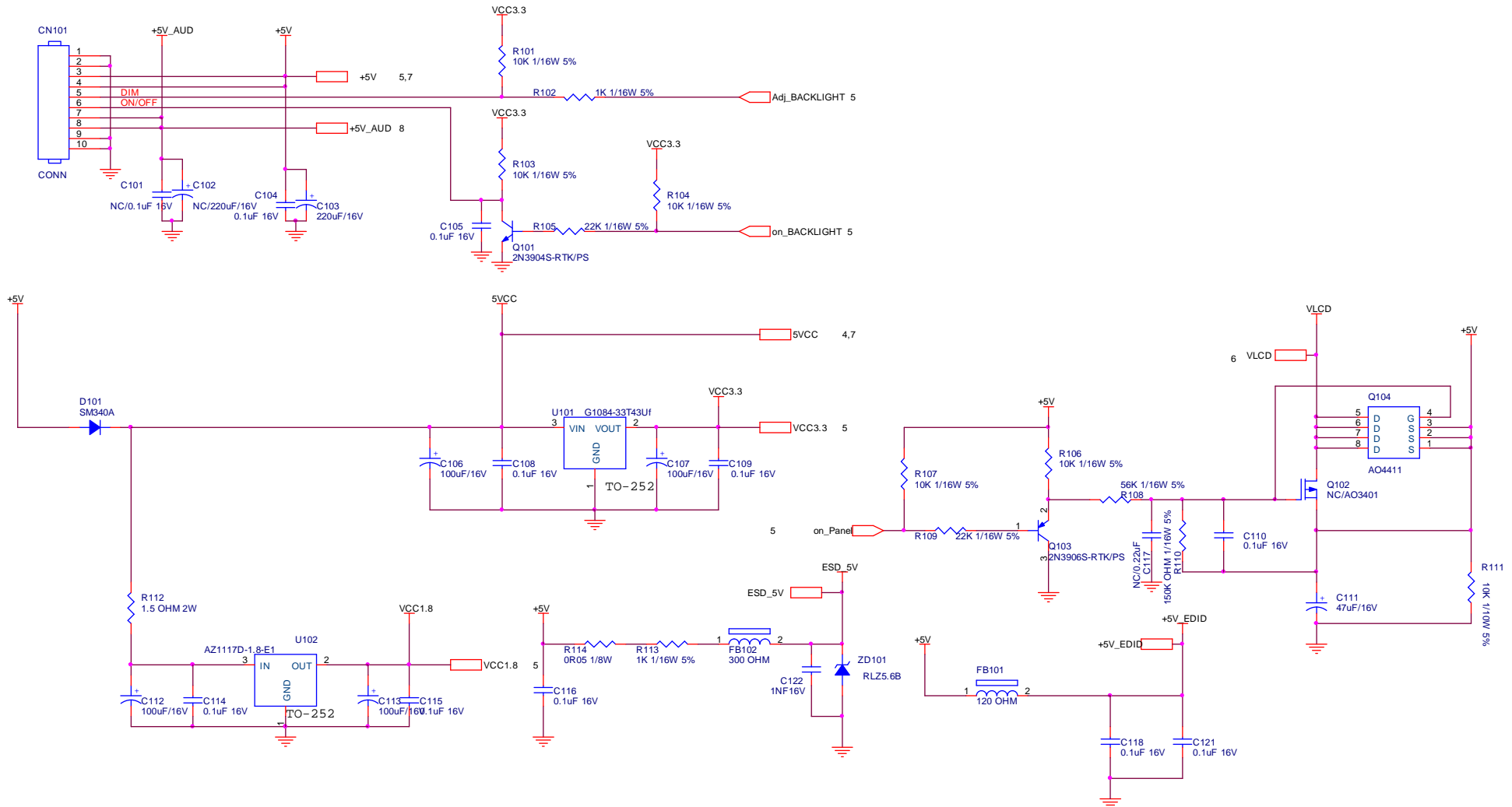


5. Schematic

5.1 Main Board

715G3221-F



TPV (Top Victory Electronics Co., Ltd.)	OEM MODEL	ASUS VH222H and VH242H	Size	B
錫隔瓜網版	G3221-F-X-X-1-081015		Rev	A
Key Component	2.0.POWER	PCB NAME	715G3221-F	稱參
Date	Wednesday, October 15, 2008	Sheet	3 of 9	<稱參>