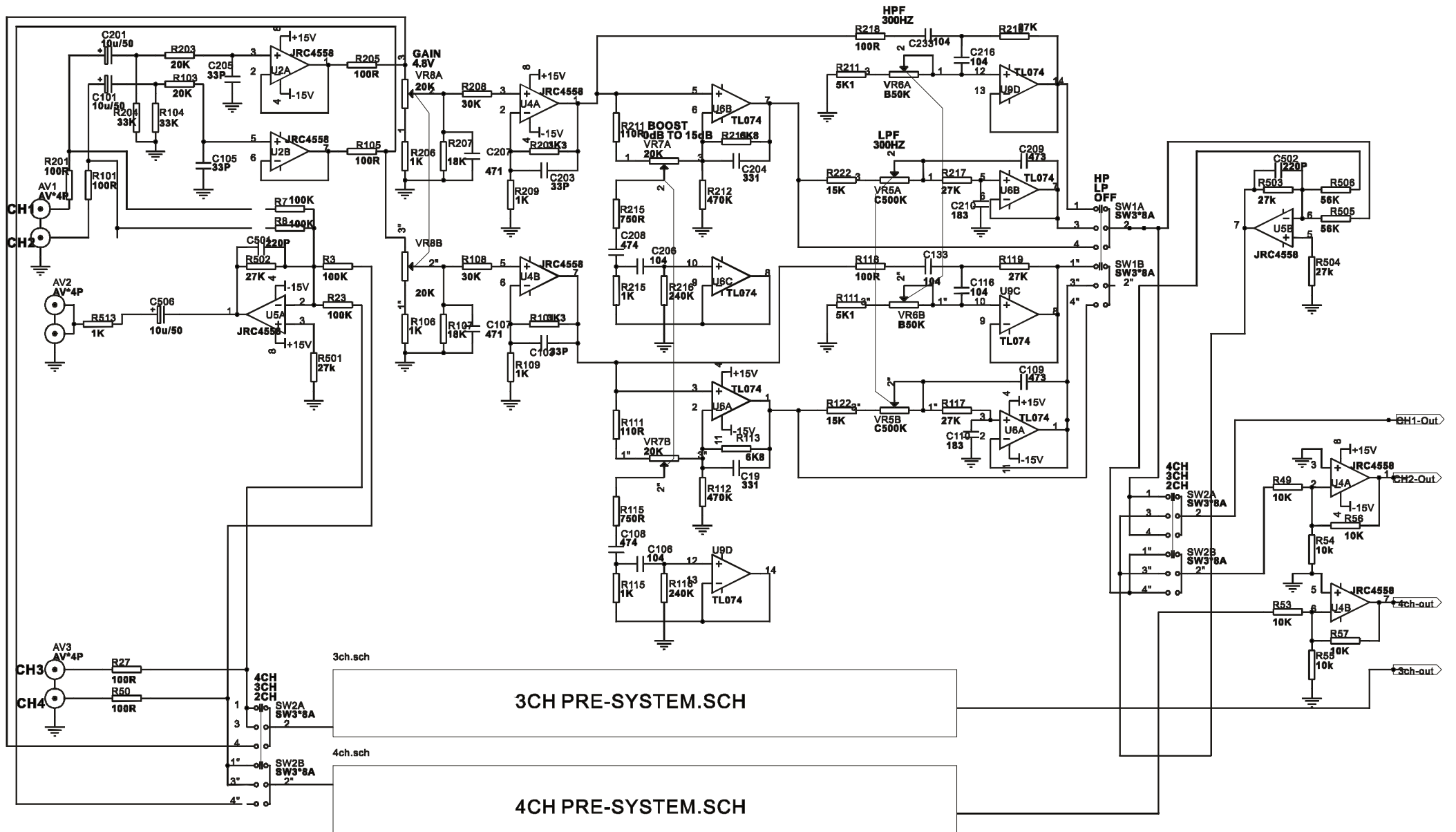




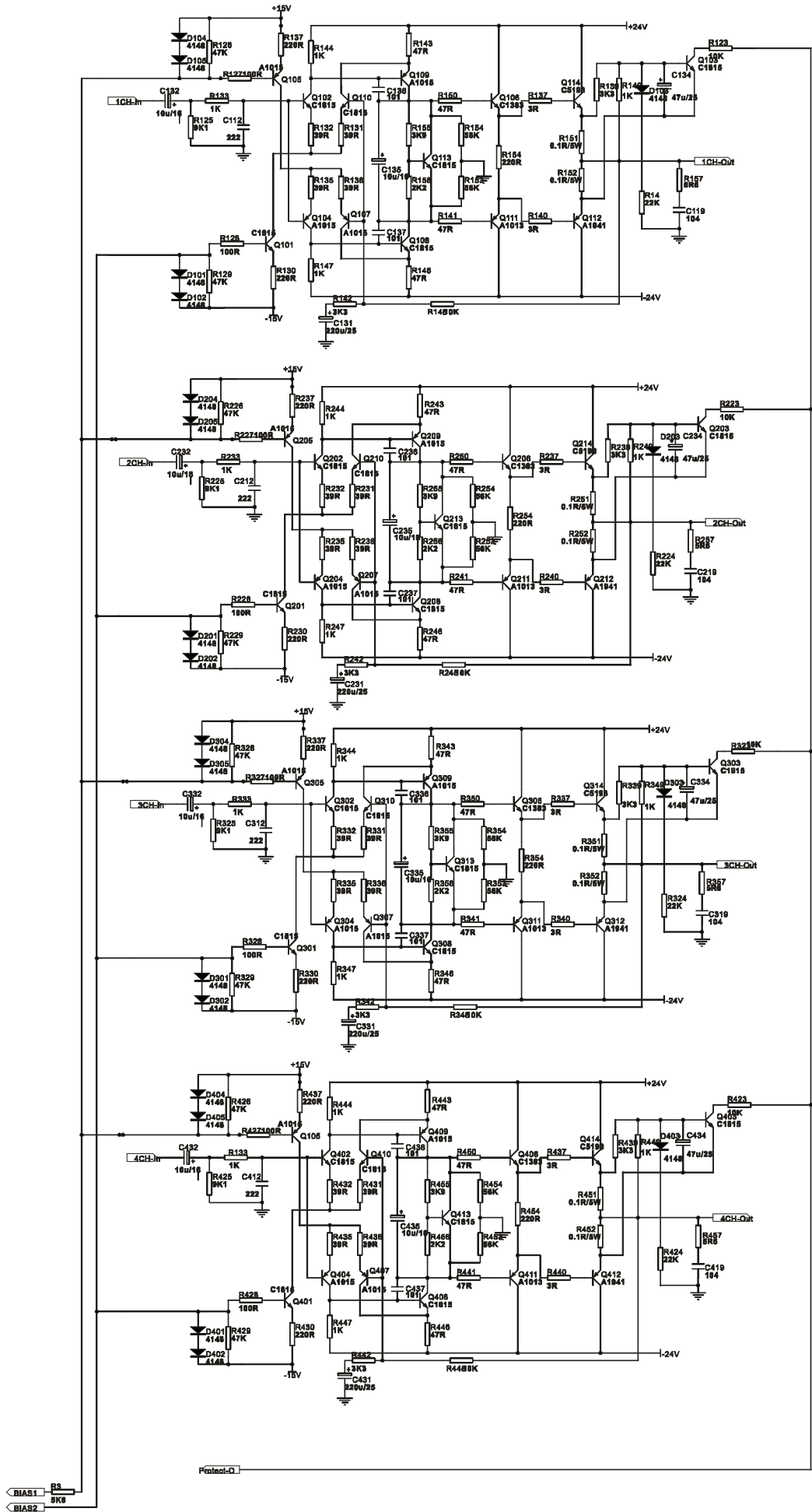
THE ROCK

MAGNAT

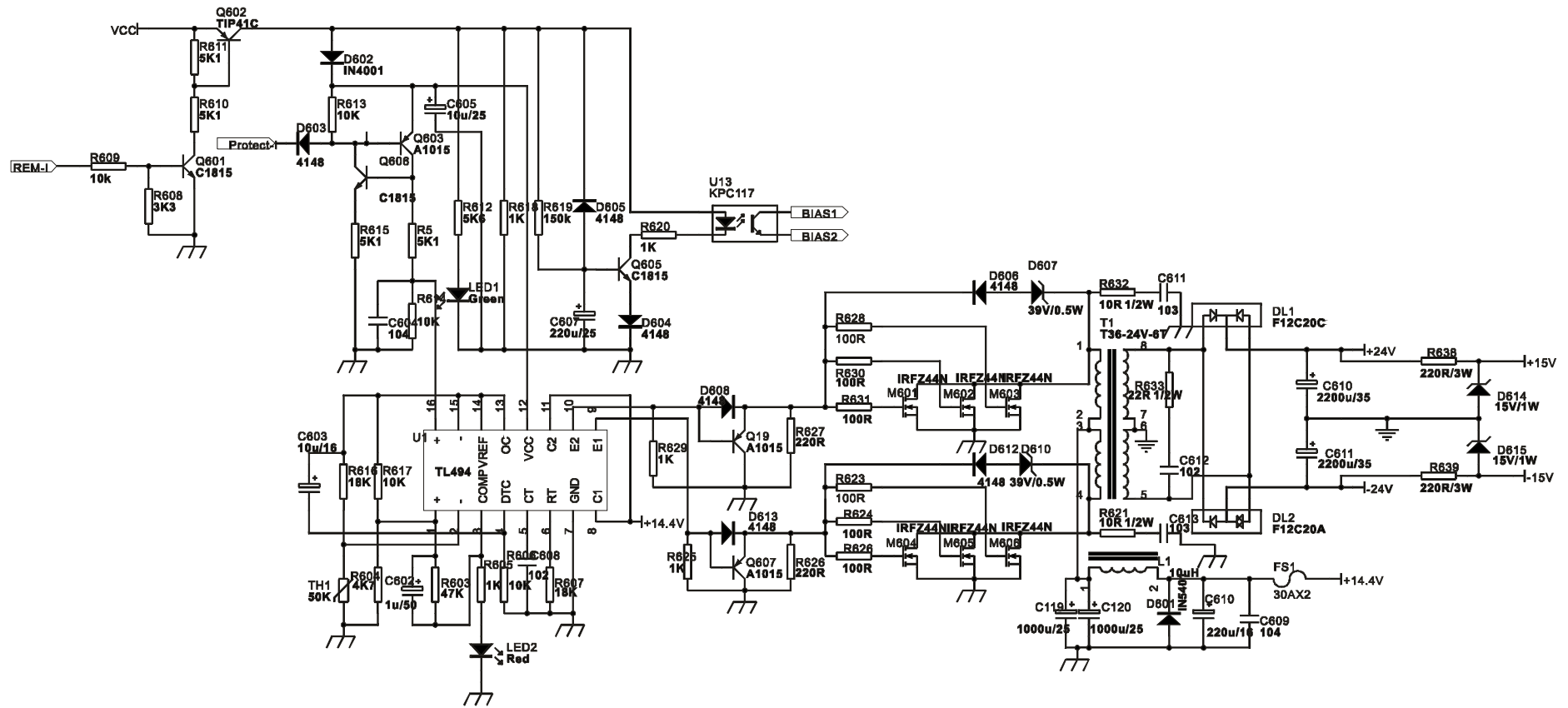
THE ROCK 600 4 CH AMP 600 WATTS MAX



The Rock 600 Pre-System Circuit



The Rock 600 Amplifier Circuit



The Rock 600 Power-System Circuit

Spare part list

Product Name: Car Amplifier

Model No. : THE ROCK 600

Brand Name : Mac Audio

Serial number	Types	Description of components	Comment	Quantity	Unit	Components
001	PCB	PCB		2	PCS	SAGA2004-THE ROCK 600:PCB-A01
002	Safety components	Coils	Φ36	1	PCS	SAGA2004-THE ROCK-A01
		OSC Coils	Φ10	1	PCS	T1
		Fuse	25A	2	PCS	FUSE1
		Fuse Holder	too way	1	PCS	
003	IC	IC	PC817	1	PCS	U13
			JRC4558	6	PCS	U1, U2, U2-1, U4, U5, U11
			TL074CN	4	PCS	U3, U4-1, U6, U9
			TL494CN	1	PCS	U7
004	Transistor	Triodes	A1013	4	PCS	Q406, Q111, Q211, Q306
			C2383	4	PCS	Q106, Q206, Q311, Q411
			A1015	4	PCS	Q602, Q603, Q607, Q607
			C1815	3	PCS	Q601, Q605, Q606
			A1266	16	PCS	Q104, Q105, Q107, Q109, Q204, Q205, Q207, Q209, Q304, Q305, Q308, Q310, Q404, Q405, Q408, Q410
			C3198	24	PCS	Q114, Q407, Q101, Q102, Q103, Q108, Q110, Q201, Q202, Q203, Q208, Q210, Q214, Q301, Q302, Q303, Q307, Q309, Q312, Q401, Q402, Q403, Q409, Q413
			A1695	4	PCS	Q112, Q212, Q313, Q414
			C4468	4	PCS	Q213, Q314, Q412, Q113
		Voltage Stabilizing Diodes	15V/1W	2	PCS	D614, D615
			39V/0.5W	2	PCS	D607, D610
		Schottky Barrier Rectifier	F12C20A	1	PCS	DL2
			F12C20C	1	PCS	DL1
		Switch Diodes	IN4148	27	PCS	D606, D612, D608, D613, d9, d10, d12, d13, D603, D604, D605, D101, D102, D104, D105, D201, D202, D203, D204, D205, D302, D303, D304, D310, D7, D103, D305
		Rectifier Diodes	IN4001	1	PCS	D602
			IN5402	1	PCS	D601
		MOSFET	IRFZ44N	6	PCS	M601, M602, M603, M604, M605, M606
		LED	Φ3 Red	1	PCS	LED1
			Φ3 Green	1	PCS	LED2

Spare part list

Product Name: Car Amplifier

Model No. :THE ROCK 600

Brand Name : Magnat

Serial number	Types	Description of components	Comment	Quantity	Unit	Components
005	Resistors	Thermal Resistors				
			RTH-50K	1	PCS	
			RTX-5W-0.1Ω	8	PCS	R151, R152, R251, R252, R351,R352, R451, R452
			RTX-3W-220Ω	2	PCS	R638, R639
			RTX-2W-4.7Ω	1	PCS	R633
			RTX-1/2W-3Ω	8	PCS	R237,R248,R137,R140,R438,R450,R338,R350
			RTX-1/2W-4.7Ω	4	PCS	R157, R257, R357, R457
			RTX-1/2W-10Ω	2	PCS	R621, R632
			RTX-1/2W-470Ω	1	PCS	R601
			RTX-1/4W-1KΩ	3	PCS	R618, R620,R629
			RTX-1/8W-39Ω	16	PCS	R131, R132, R135, R136, R231,R232, R234, R235, R331, R332,R334, R335, R431, R432, R434,R435
			RTX-1/8W-47Ω	16	PCS	R141, R143, R146, R150, R238,R242, R245, R247, R339, R341,R344, R349, R439, R441, R444,R449
			RTX-1/8W-100Ω	26	PCS	R105, R118, R205, R218, R301,R305, R318, R401, R405, R418,R623, R624, R626, R628, R630,R631,R101, R127, R128, R201, R226,R228, R327, R329, R427, R429
			RTX-1/8W-110Ω	4	PCS	R111, R211, R311, R411
			RTX-1/8W-220Ω	14	PCS	R622, R627,R130, R137, R145, R230, R236,R243., R330, R336, R343, R430,R436, R443
			RTX-1/8W-750Ω	4	PCS	R114, R215,R315, R414
			RTX-1/8W-1KΩ	32	PCS	R109, R115, R215, R306, R315,R406, R415, R605, R629, R625,R106, R206,R144, R147, R241, R244, R342,R345, R442, R445,R209, R308, R408,R133, R149, R232, R239, R333,R348, R433, R448
			RTX-1/8W-1.5KΩ	4	PCS	R246,R142
			RTX-1/8W-2.2KΩ	4	PCS	R156, R252, R355, R456
			RTX-1/8W-3.3KΩ	5	PCS	R608,R139, R145, R337, R437
			RTX-1/8W-3.9KΩ	4	PCS	R155, R251, R356, R457
			RTX-1/8W-4.3KΩ	4	PCS	R110, R210, R309, R409
			RTX-1/8W-4.7KΩ	1	PCS	R604
			RTX-1/8W-5.1KΩ	8	PCS	R610, R614, R615,R611,R121, R221,R321,R421
			RTX-1/8W-5.6KΩ	3	PCS	R612,R637, R636
			RTX-1/8W-6.8KΩ	4	PCS	R113, R213, R313, R413
			RTX-1/8W-9.1KΩ	4	PCS	R125, R224, R325, R425
			RTX-1/8W-10KΩ	22	PCS	R108, R208, R507, R508, R509,R510, R511, R602, R613, R617,R148, R229, R240, R323, R346,R423, R446, R609,R306, R407,R123,
			RTX-1/8W-15KΩ	6	PCS	R122, R222,R322, R422, R606, R616
			RTX-1/8W-18KΩ	5	PCS	R107, R207, R307, R407, R607
			RTX-1/8W-20KΩ	4	PCS	R103, R203, R304, R403
			RTX-1/8W-22KΩ	4	PCS	R124, R223, R324, R424
			RTX-1/8W-27KΩ	12	PCS	R117, R119, R217, R219, R317,R319, R417, R417,R501, R502, R503, R504
	RTX-1/8W-33KΩ	4	PCS	R104, R204, R303, R404		
	RTX-1/8W-47KΩ	9	PCS	R603,R428,R126, R129, R225, R227, R326,R328, R426		
	RTX-1/8W-56KΩ	10	PCS	R505, R506,R153, R154, R249, R250, R353,R354, R453, R454		
	RTX-1/8W-100KΩ	4	PCS	R102, R202, R302, R402		
	RTX-1/8W-150KΩ	1	PCS	R619		
	RTX-1/8W-240KΩ	4	PCS	R116, R216, R316, R416		
	RTX-1/8W-470KΩ	4	PCS	R112, R212, R312, R412		

Spare part list

Product Name: Car Amplifier
Brand Name : Mac Audio

Model No. :THE ROCK 600

Serial number	Types	Description of components	Comment	Quantity	Unit	Components
005	Resistors	Trimmers	WH9011-15-axis-C20KΩ	4	PCS	VR1,VR2, VR7,VR8
			WH9011-15-axis-C50KΩ	2	PCS	VR3, VR6
			WH9011-15-axis-C500KΩ	2	PCS	VR4, VR5
006	capacitors	Ceramic Capacitors	CCX-63V-33	8	PCS	C103, C103, C105, C205, C303,C305, C403, C405
			CCX-63V-100	8	PCS	C136, C137, C215, C216, C317,C318, C415, C418
			CCX-63V-104	1	PCS	C604
			CCX-63V-221	2	PCS	C501, C502
			CCX-63V-331	4	PCS	C104, C204, C304, C404
			222	4	PCS	C112, C212, C312, C412
		Color scale capacitors	471	4	PCS	C107, C207, C307, C407,
			CL-63V-102	2	PCS	C612,C608
		Polyester Capacitors	CL-63V-103	3	PCS	C611, C613
			CL-100V-104	18	PCS	C110, C111, C116, C133, C410,C411, C416, C433,C106, C119, C206, C219, C306,C319, C406, C419, C610
			CL-100V-183	4	PCS	C110, C209, C309, C410
			CL-100V-333	4	PCS	C109, C210, C310, C409
			CL-100V-474	4	PCS	C108, C208, C308, C408
		Electrolytic capacitors	CD11-50V-1uF(85□)	1	PCS	C602
			CD11-50V-10uF(85□)	18	PCS	C132, C213, C313, C414,C603,C605, C606,C101, C102, C201, C202, C301,C401, C506,C135, C218, C316, C417
			CD11-16V-47uF(85□)	4	PCS	C134, C217, C315, C416
			CD11-25V-100uF(85□)	6	PCS	C131, C214, C314, C413,C614, C615
			CD11-35V-220uF(85□)	2	PCS	C607,C609
			CD11-35V-220uF(105□)	2	PCS	C119, C120
			CD11-50V-4700uF(105□)	2	PCS	C24, C110
007	Connecting line	J line(Φ0.65mm)	4mm	4	PCS	
			5mm	3	PCS	
			6mm	44	PCS	
			7mm	3	PCS	
			8mm	14	PCS	
			10mm	37	PCS	
			12mm	12	PCS	
			13mm	4	PCS	
			14mm	6	PCS	
			15mm	14	PCS	
			16mm	2	PCS	
			18mm	7	PCS	
			20mm	8	PCS	
			25mm	1	PCS	
			37mm	1	PCS	
			Metal flake wire	39mm	2	PCS
						a suit of

Spare part list

Product Name: Car Amplifier

Model No. : THE ROCK 600

Brand Name : Mac Audio

Serial number	Types	Description of components	Comment	Quantity	Unit	Components
008	Inserting components	RCA socket	AV2-7	1	PCS	
			AV4-7	1	PCS	
		Terminals	Three way	1	PCS	
			Eight way	1	PCS	
		Direct-Pulling Switch	SK43D01G12	1	PCS	
			SK23D25G12	2	PCS	
009	Hardware	Aluminum Covering Plate	THE ROCK 600	1	PCS	
		Front Panel	THE ROCK 600	1	PCS	
		Rear Panel	THE ROCK 600	1	PCS	
		Bottom Panel	THE ROCK 600	1	PCS	
		brand	Magnat	1	PCS	
		Fit Iron Press Plate	Big	4	PCS	32X20MM
			Middle	4	PCS	27X20MM
		Screw	BT3×6	18	PCS	
			BA3×6	1	PCS	
			BA3X12	6	PCS	
010	Plastics	Polybag	50×70mm	1	PCS	
			320×450mm	1	PCS	
		Silicon Silk	30X60mm	1	PCS	
			30X100mm	1	PCS	
		Coils pad	Φ36	1	PCS	
Switch sponge Pad		3	PCS			
011	Package	Foam		a pair of		
		Fuse	25A	1	PCS	
		Screw	BA5×10	4	PCS	
		Meson	Φ5	4	PCS	
		Flexibility Meson	Φ5	4	PCS	
		User's Manual	THE ROCK 600	1	PCS	
		Gift Box	THE ROCK 600	1	PCS	
012	Accessories	brand		1	PCS	
		RCA Jacks Covering		6	PCS	
		Groundwire Solder Plate	Φ5	1	PCS	
		Tube	Φ1	2	PCS	
		Glue		a few		
Tin						