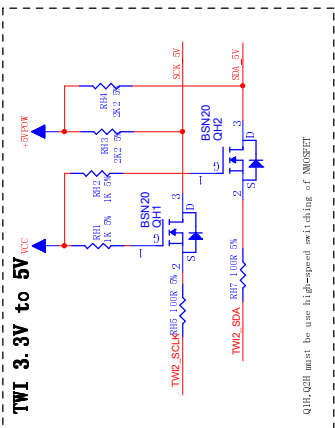


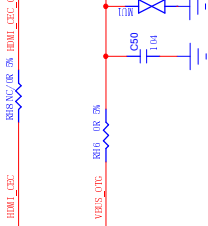
ESD + EMI 器件



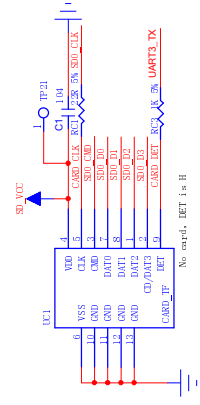
TWI 3.3V to 5V

QH.QOH must be the user high-impedance switching of MIOSET

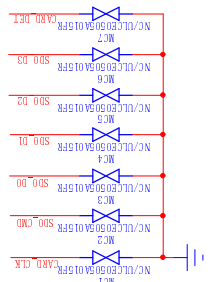
HDMI CEC protocol



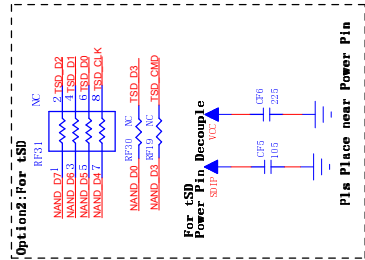
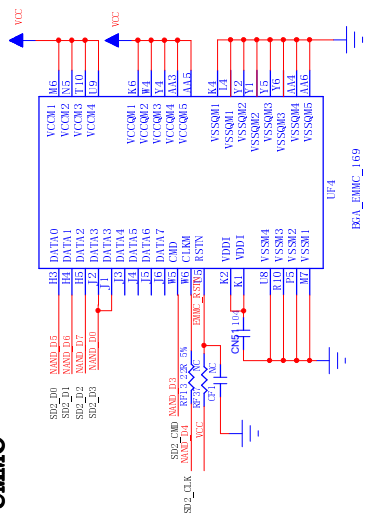
TF CARD



No card, REF is H



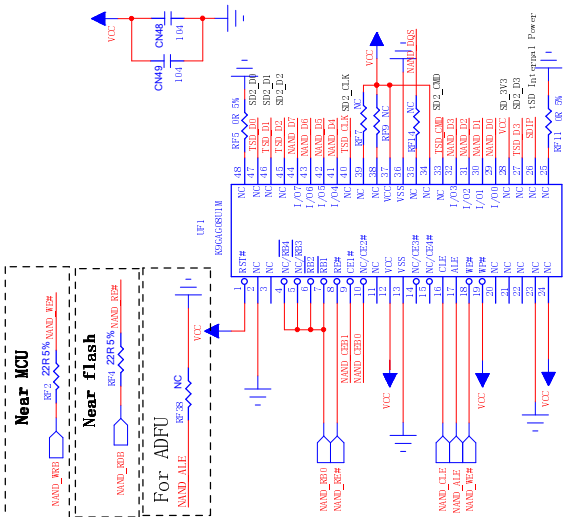
eMMC



For tSD, Power Pin Decouple

Please Place near Power Pin

NANDFLASH (兼容tSD)



Near MCU

Near flash

For ADFU

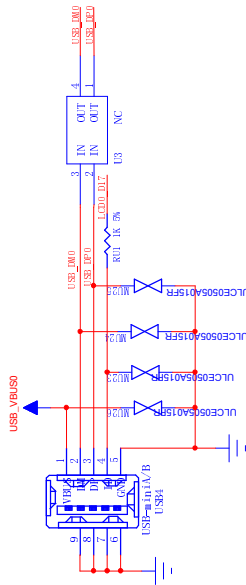
Please Place near Power Pin

8. FLASH&CARD&HDMI

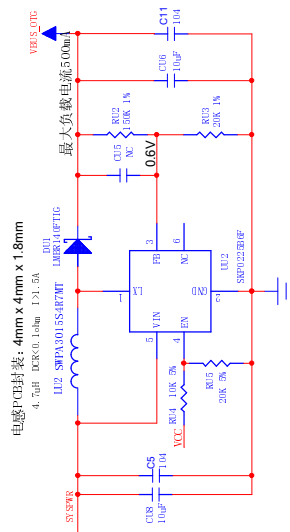
File name:	
Sheet name:	
Drawing No:	Version: V1.0
Drawn By:	Date: 2015-12-2
Checked By:	Date:
Approved By:	Date:
Size:	A3
Sheet: 7	12

USB

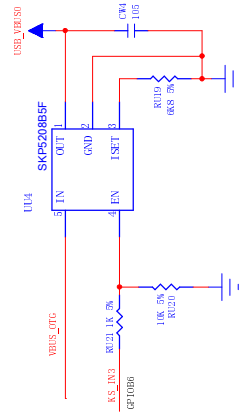
USB2.0 MiniAB



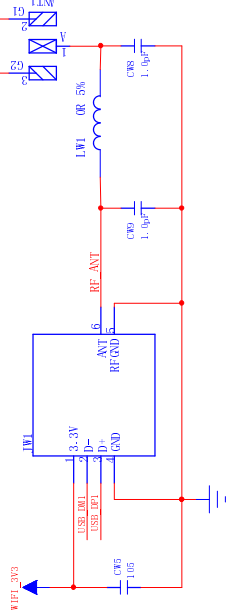
USB OTG Power



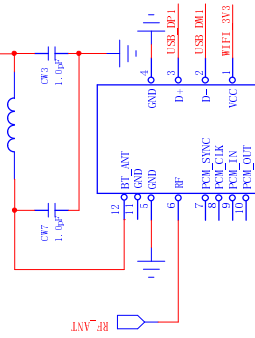
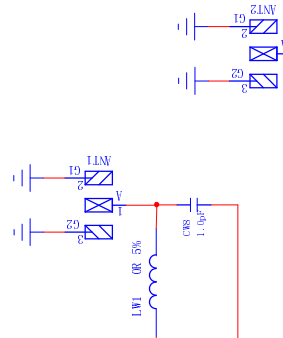
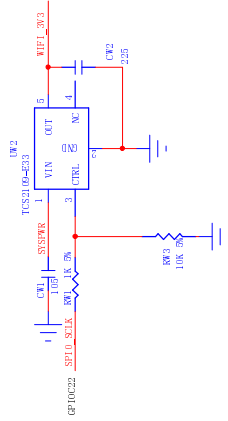
USB Current Switch



USB WIFI

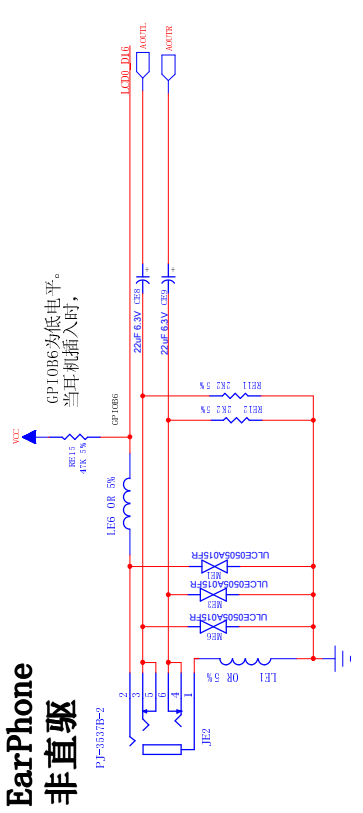


WIFI 3V3



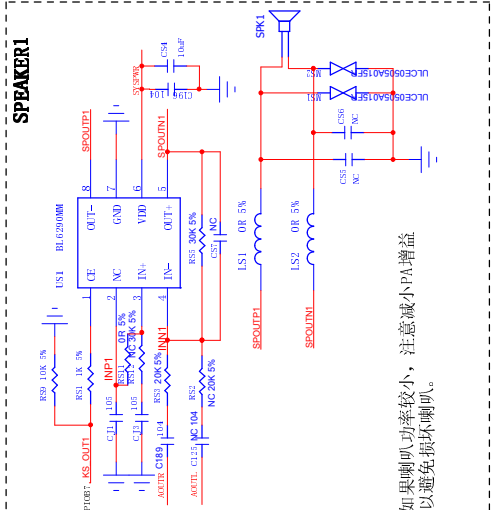
File name:	
Sheet name:	
Drawing No:	Version: V1.0
Drawn By:	Date:
Checked By:	Date:
Approved By:	Date:
Size:	A3
Sheet:	8
Total:	12

EarPhone 非直驱



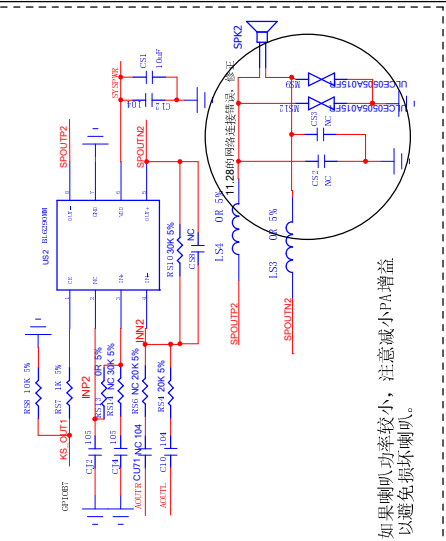
GPIOB6为低电平。
当耳机插入时，

PA&SPEAKER



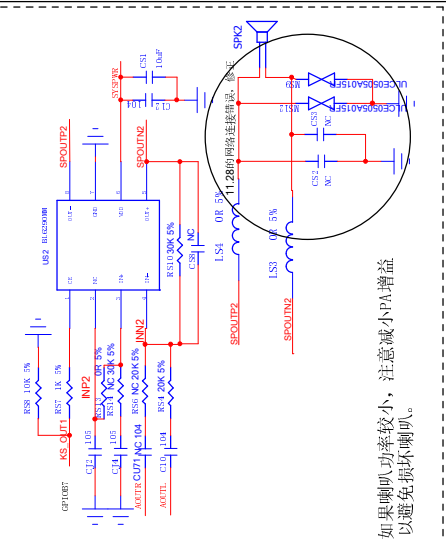
如果喇叭功率较小，注意减小PA增益
以避免损坏喇叭。

SPEAKER1



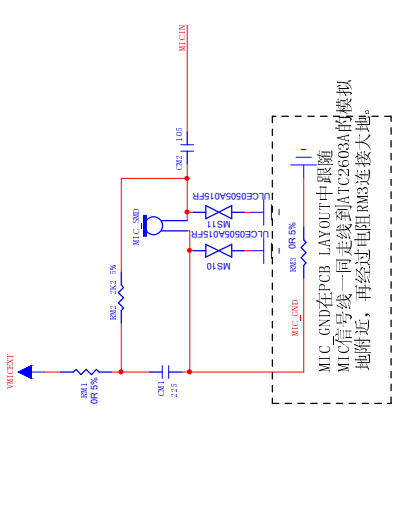
如果喇叭功率较小，注意减小PA增益
以避免损坏喇叭。

SPEAKER2



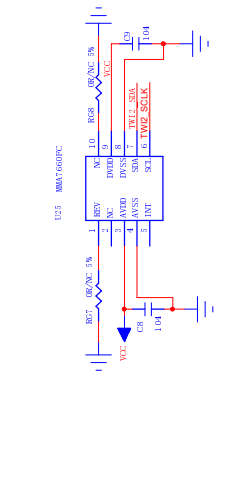
如果喇叭功率较小，注意减小PA增益
以避免损坏喇叭。

MIC



MIC信号线一同走线到ATC2603M的模拟地附近，再经过电阻RM3连接大地。

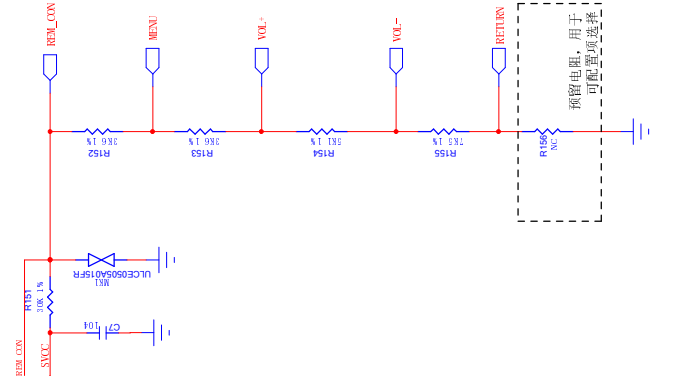
MMA7660/MC3230



MMA7660, MC3230, MC3210 Pin to Pin:
When MMA7660, BCT & BCT1 is ON:
When MC3230, BCT & BCT1 is ON:
MMA7660 Slave Address: 0x4c
MC3230 Slave Address: 1001100b

ADC KEY

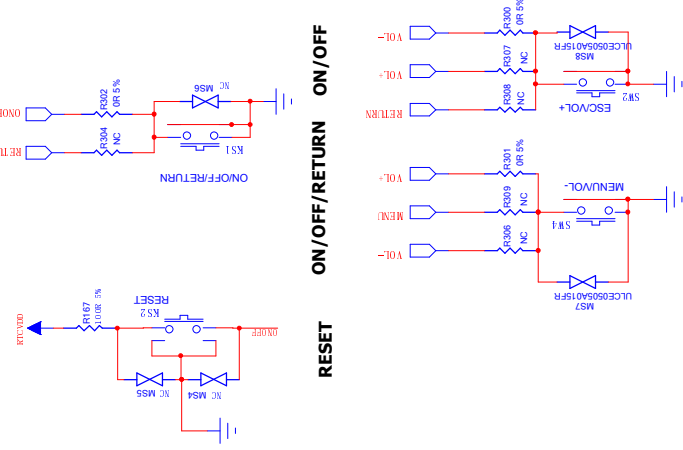
按键功能定义已确定，请不要修改按键功能定义
例如，不需要MENU键，删除SK2即可，不可删除RK2



原机类型 按键定义

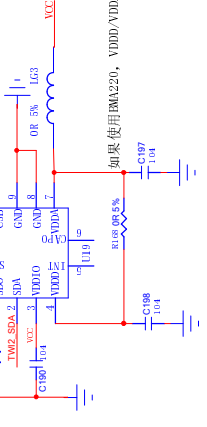
NO HDMI	HDMI
VOL-	VOL+
RETURN	ON/OFF

有HDMI时，KS10和R305不焊



G-Sensor

G-Sensor在PCB上的摆放方向：
1. 器件布局背对屏的方向，正对着样机看，G-Sensor的第1脚对着样机的左上角。
2. 器件布局朝向屏的方向，正对着样机看，G-Sensor的第1脚对着样机的右上角。



如果使用BMA220, VDD0/VDDA只能1.8V
BMA Slave Address: 0001000b

ATM7021_V1.1_131202 (TCH标案) .sch	
Sheet name:	MTISC&CAMERA
Sheet number:	
Drawing No.:	Ver: 01.0
Drawn By:	Date: 2013-12-2
Checked By:	Date:
Appr. of By:	Date:
Sheet:	9 / 10

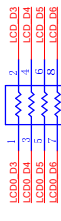
RGB

9寸 800*480 CPT

RGB

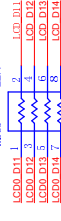
LCD0_D12
LCD0_D15

22R



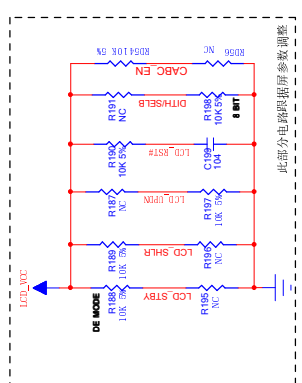
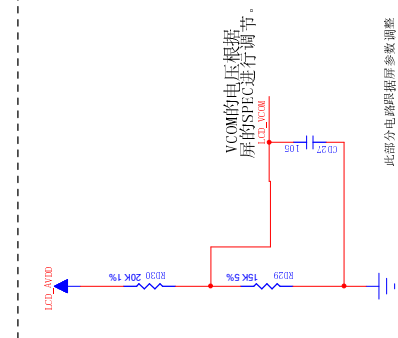
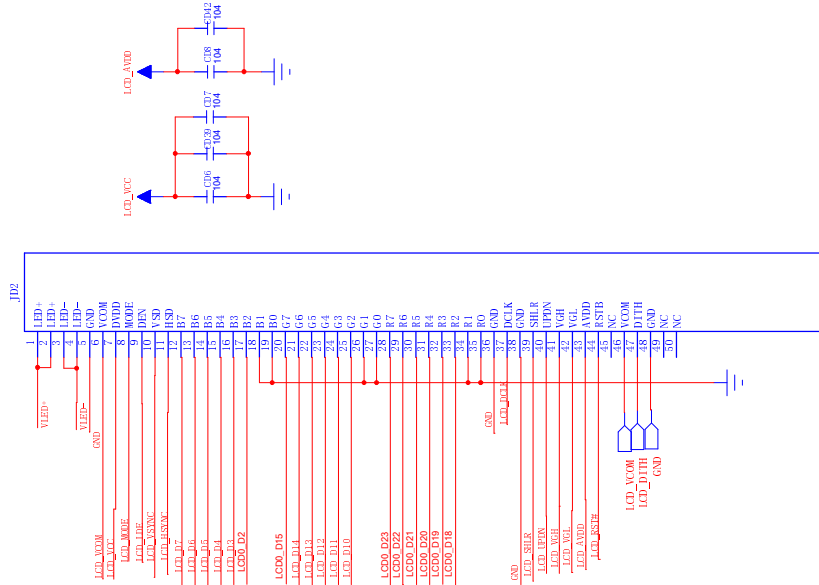
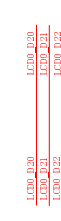
LCD0_D7
LCD0_D10
LCD0_D13

22R



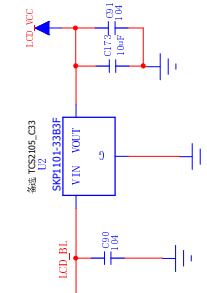
LCD0_D18
LCD0_D19
LCD0_D22
LCD0_D23

22R

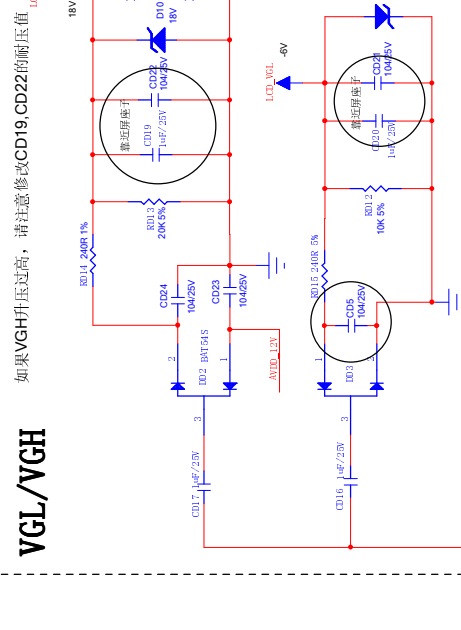


LCD POWER

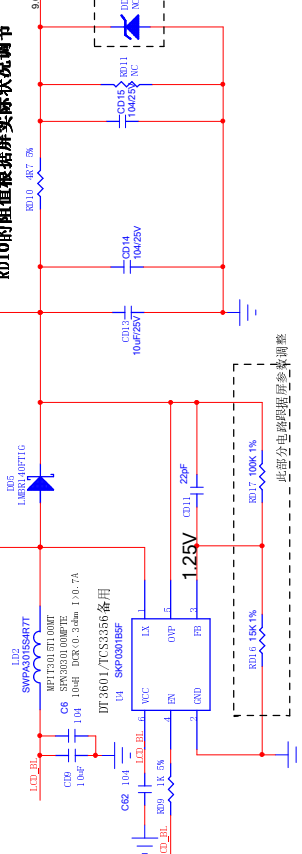
LCD VCC



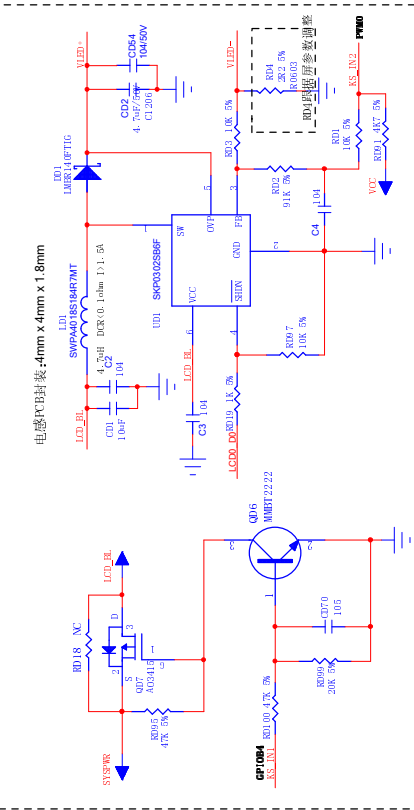
VGL/VGH



Back Light



Back Light



File name:		Version: V1.0	
Sheet name:		Date: 2023-12-2	
Drawing No.:		Date:	
Drawn By:		Approved By:	
Checked By:		Sheet: 10 / 12	
ATM7021_V1.1_131202 (TC#梅案) .sch		AB	

