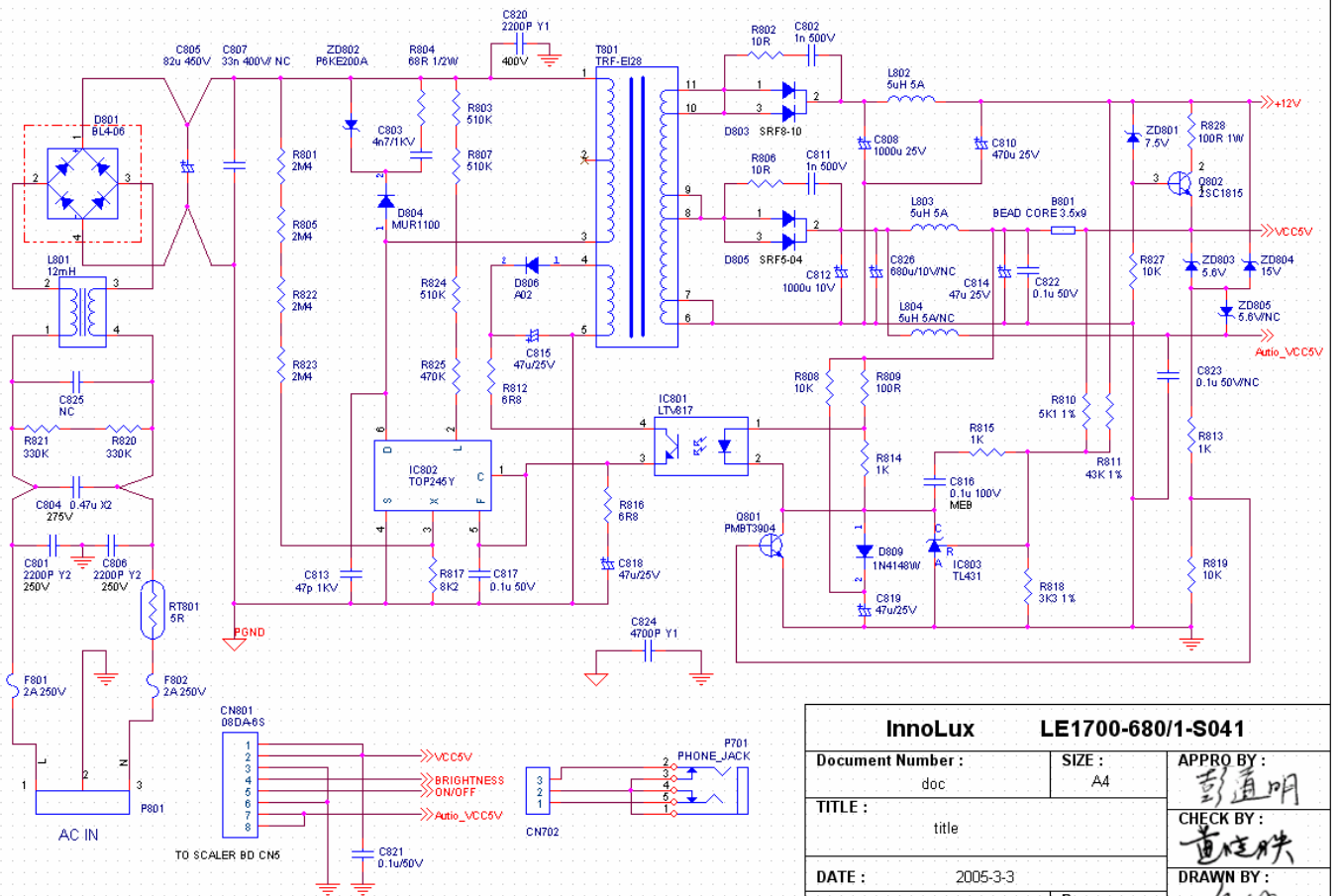


# POW/INV Board Schematic



InnoLux		LE1700-680/1-S041	
Document Number :	doc	SIZE :	A4
TITLE :	title	APPRO BY :	彭通明
DATE :	2005-3-3	CHECK BY :	董延映
SHEET	2	OF	3
Rev :	V02	DRAWN BY :	何强